

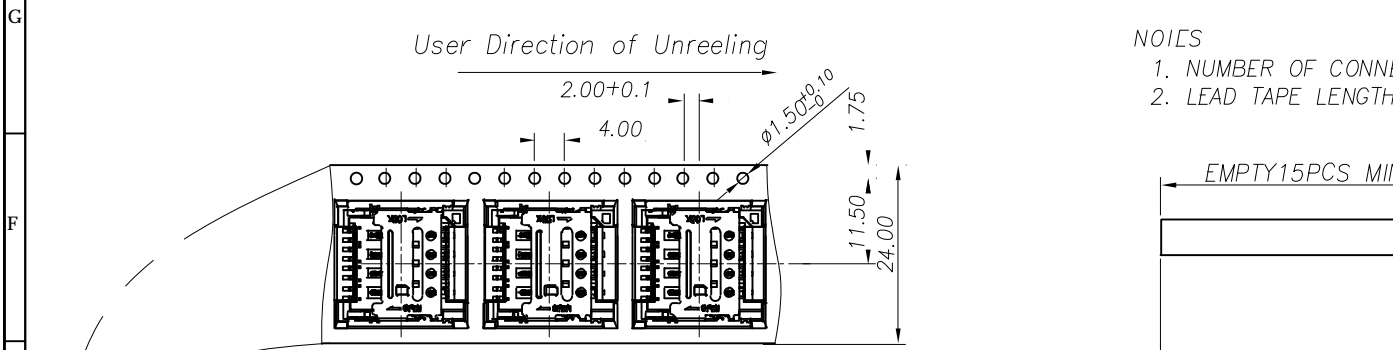
MICRO SIM CARD	
PIN NO.	DESCRIPTION
P1	VCC
P2	GND
P3	RST
P4	VPP
P5	CLK
P6	I/O
P7	RESERVED
P8	RESERVED

NOTES:  
 1) MATERIAL:  
 HOUSING: LCP E130i UL 94V-0  
 CONTACT: C5210R-H T=0.15mm  
 SHELL: SUS201-H T=0.20mm  
 2) FINISH :  
 CONTACT: GOLD FLASH PLATED ON CONTACT AREA 1u"Min ;  
 GOLD FLASH PLATING ON SOLDER TAILS 1u"Min,  
 WITH ENTIRE CONTACT UNDERPLATED NICKEL 50u"Min  
 SHELL: NICKEL UNDERPLATED OVERALL 50u"Min,  
 3) MECHANICAL CHARACTERISTICS  
 CONTACT RETENTION: 50gf/pin Min  
 MATING CYCLE: 3000 CYCLES  
 4) ELECTRICAL CHARACTERISTICS  
 RATING CURRENT: 1A  
 RATING VOLTAGE: 30V  
 CONTACT RESISTANCE: 30 MILLOHMS OHMS MAX  
 INSULATION RESISTANCE:  
 a. UNMATED: 1000M OHMS MIN  
 b. MATED: 100M OHMS MIN  
 DIELECTRIC WITHSTANDING VOLTAGE:  
 500V AC/1MINUTE  
 OPERATING TEMPERATURE: -25°C---+70°C  
 STORAGE TEMPERATURE: -10°C---+40°C

UNLESS OTHERWISE SPECIFIED TOLERANCE				东莞市讯普电子科技有限公司 www.xunpudianzi.com	
UNIT:	DECIMAL	LINEAR	ANGLES		
mm	X.	±0.50	±5°		
	X.X	±0.25	±3°		
	X.XX	±0.12	±1°		
DRAWN	Fros	2014/12/12	DRAWN NAME:		
CHECKED	Ron	2014/12/12	MICRO SIM CONNECTOR		
APPROVED	Albert	2014/12/12	PRODUCT NO.		
			SMC-220		
SCALE	3.2	SHEET	1/2	SIZE	A4

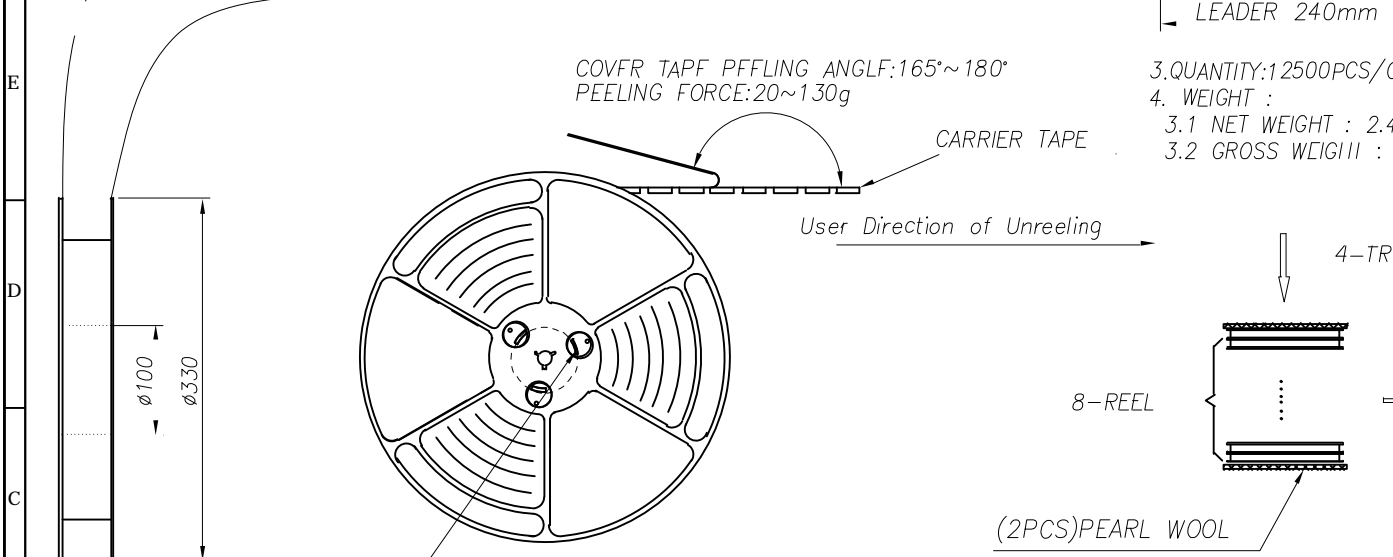
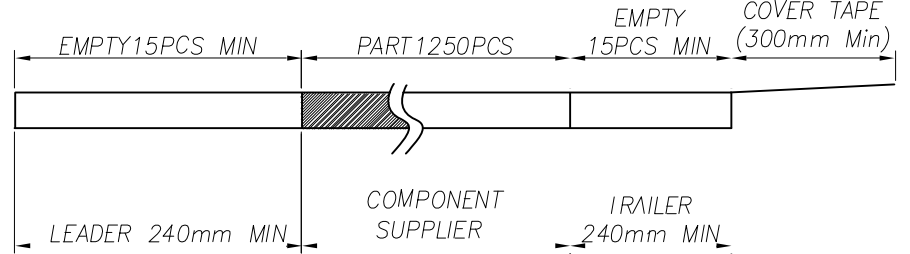
NO.	DESCRIPTION	DRAWN	DATE
SEE SHEE 1			

1 2 3 4 5 6 7 8 9 10



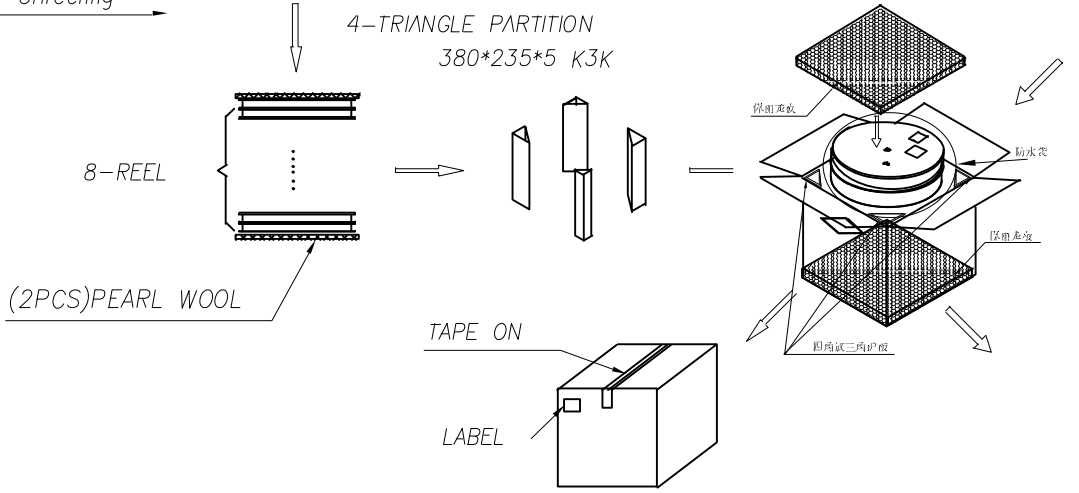
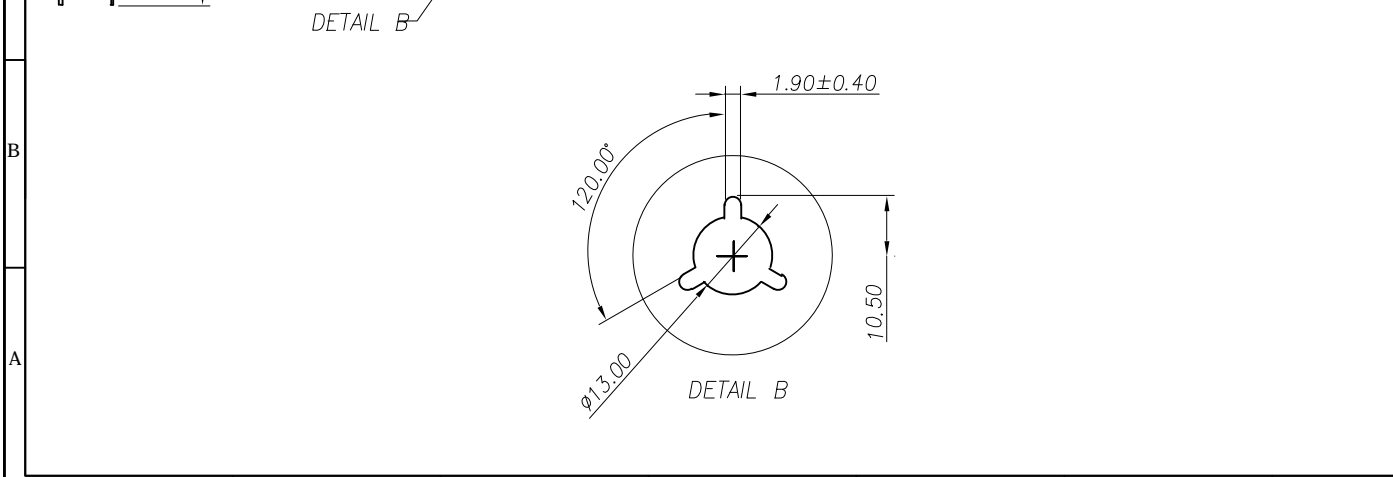
NOIES

1. NUMBER OF CONNECTORS:1250PCS/REEL
2. LEAD TAPE LENGTH



3. QUANTITY:12500PCS/CARTON
4. WEIGHT :
  - 3.1 NET WEIGHT : 2.4Kg
  - 3.2 GROSS WLGIII : 6.5Kg

CARTON  
335\*335\*250 K=K



UNLESS OTHERWISE SPECIFIED TOLERANCE				东莞市讯普电子科技有限公司 www.xunpudianzi.com
UNIT:	DECIMAL	LINEAR	ANGLES	
mm	X.	±0.50	±5°	
	X.X	±0.25	±3°	
	X.XX	±0.12	±1°	
DRAWN	Fros	2014/12/12	DRAWN NAME:	
CHECKED	Ron	2014/12/12	MICRO SIM CONNECTOR	
APPROVED	Albert	2014/12/12	PRODUCT NO.	SMC-220
SCALE	3.2	SHEET	2/2	SIZE
				A4

1 2 3 4 5 6 7 8 9 10