

NOTES:

MATERIAL:

- 1.CONTACT: COPPER ALLOY
- 2.PLATING: SELECTIVE AU ON MATING AREA, TIN ON SOLDER ARER;
- 3.HOUSING: LCP

MECHANICAL:

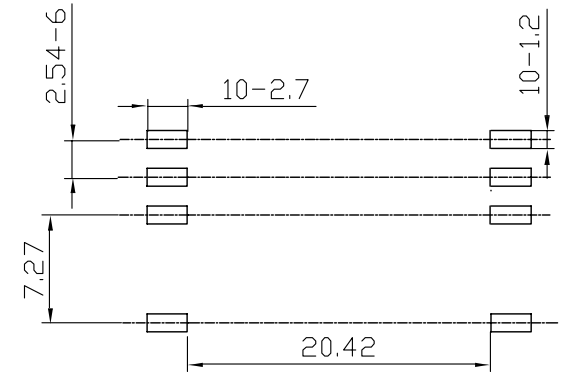
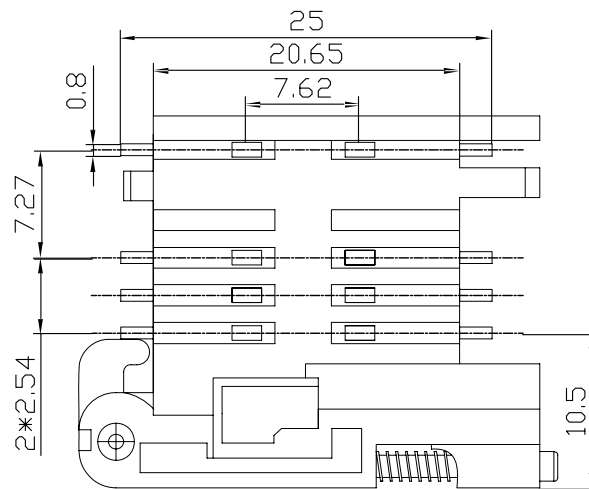
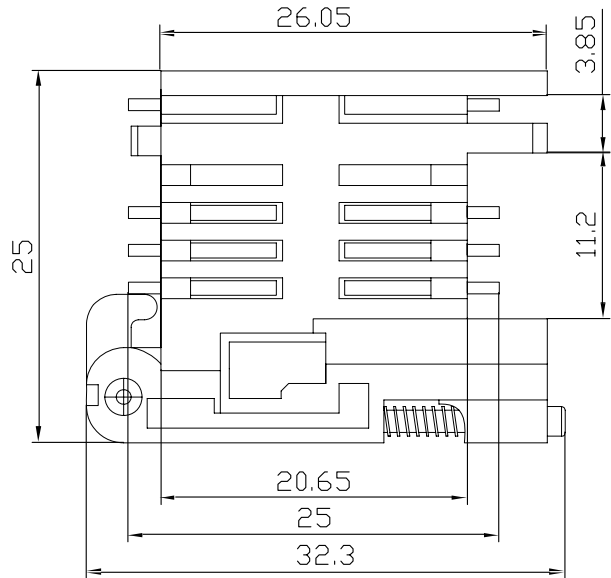
- 1.PIN COUNT: 8PIN
- 2.DURABILITY: 5000 CYCLES;
- 3.INSERTION FORCE: 1.5KGF MAX.
- 4.EXTRACTION FORCE: 2KGF MIN.
- 5.CONTACT NORMAL FORCE: 0.2KG~0.6KGF

ELECTRICAL

- 1.INSULATION RESISTANCE: 1000MΩ MIN.
- 2.CONTACT RESISTANCE: 100mΩMAX
- 3.CD FUNCTION: NORMALLY OPEN

ENVIRONMENT

- 1.OPERATION TEMPERATURE: -40°C~+85°C
- 2.SOLDER CONDITION: 260°C 5S
- 3.HUMIDITY: 40°C , 90%~96% , 48H;
- 4.SALT SPRAY: 5% NaCl, 35°C 24H;



RECOMMENDED PCB LAYOUT
TOLERANCE: ± 0.05

UNLESS OTHERWISE SPECIFIED TOLERANCE				东莞市讯普电子科技有限公司 www.xunpudianzi.com
UNIT:	DECIMAL	LINEAR	ANGLES	
mm	X.	±0.50	±5°	
	X.X	±0.25	±3°	
	X.XX	±0.12	±1°	
DRAWN	Fros	2014/12/12	DRAWN NAME:	
CHECKED	Ron	2014/12/12	SIM CONNECTOR	
APPROVED	Albert	2014/12/12	PRODUCT NO.	
SCALE 3.2 SHEET 1/1 SIZE A4			SIM-121	