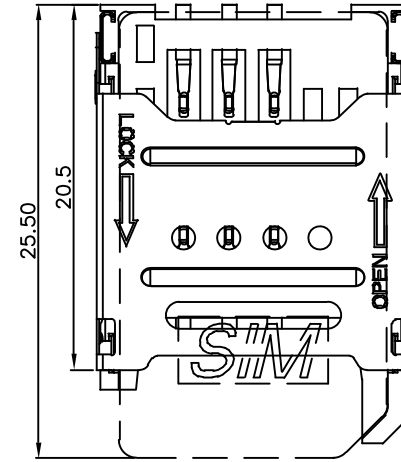
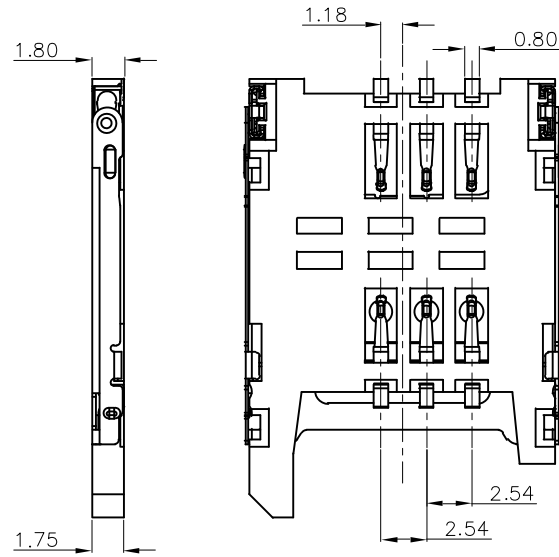
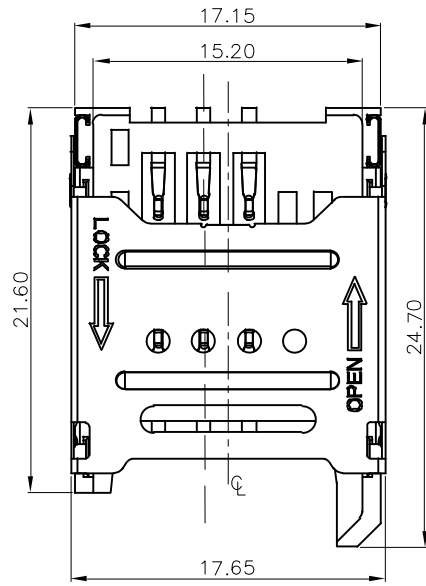
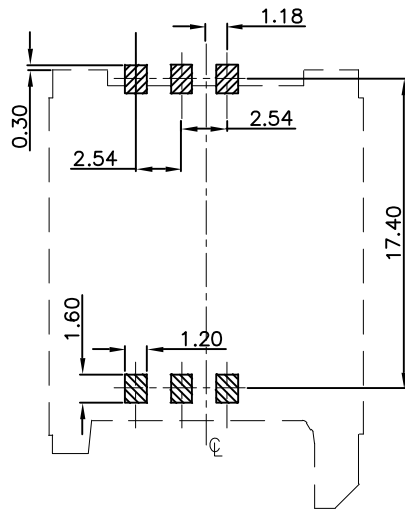


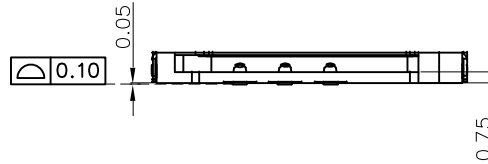
CAD GENERATED DRAWING. DON'T CHANGE BY HAND.



STATE OF LOCK



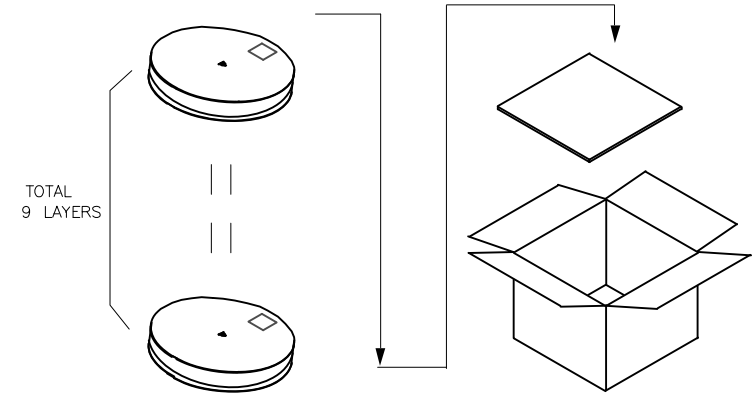
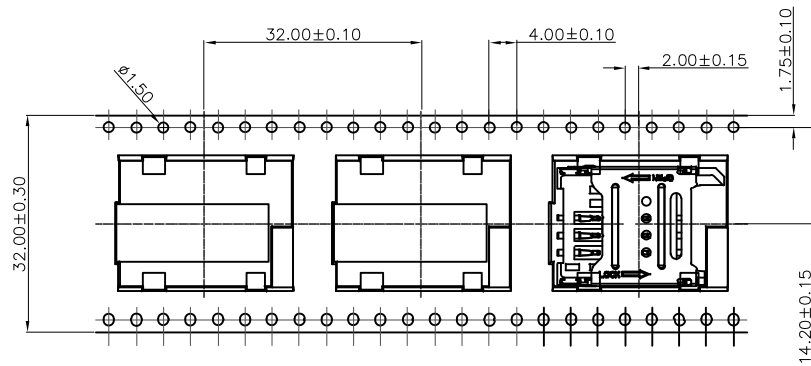
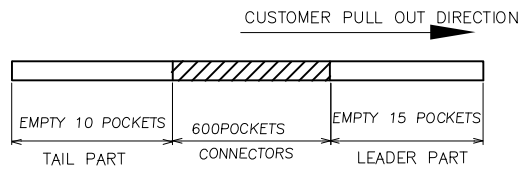
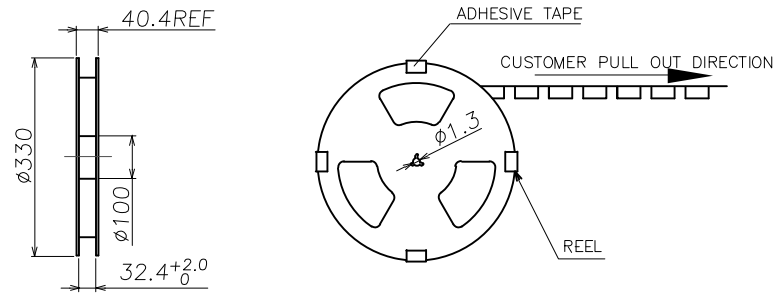
PCB LAYOUT
T±0.05



UNLESS OTHERWISE SPECIFIED TOLERANCE				
UNIT:	DECIMAL	LINEAR	ANGLES	东莞市讯普电子科技有限公司 www.xunpudianzi.com
	X.	±0.50	±5°	
	X.X	±0.25	±3°	
	X.XX	±0.12	±1°	
mm				
DRAWN	Fros	2014/12/12	DRAWN NAME:	
CHECKED	Ron	2014/12/12	SIM CONNECTOR	
APPROVED	Albert	2014/12/12	PRODUCT NO.	SIM-106
	SCALE	SHEET	SIZE	
	3.2	1/2	A4	

CAD GENERATED DRAWING. DON'T CHANGE BY HAND.

NO.	DESCRIPTION	DRAWN	DATE
	SEE SHEE 1		



- NOTES:
 1.PRIMARY PACKING:20.0M/600PCS/REEL;
 2.SECONDARY PACKING: 9 REELS/CARTON(5400 PCS/CARTON);

UNLESS OTHERWISE SPECIFIED TOLERANCE				东莞市讯普电子科技有限公司 www.xunpudianzi.com	
UNIT:	DECIMAL	LINEAR	ANGLES		
mm	X.	±0.50	±5°		
	X.X	±0.25	±3°		
	X.XX	±0.12	±1°		
DRAWN	Fros	2014/12/12	DRAWN NAME:		
CHECKED	Ron	2014/12/12	SIM CONNECTOR		
APPROVED	Albert	2014/12/12	PRODUCT NO.	SIM-106	
SCALE 3.2		SHEET 2/2	SIZE A4		