



DATASHEET

-Preliminary-

Surface Acoustic Wave Filter

- **Application : BAND41(120MHz) Tx Filter**
- **Model : SFDG26AA402**
- **Center Frequency : 2595 [MHz]**



WISOL CO., LTD.

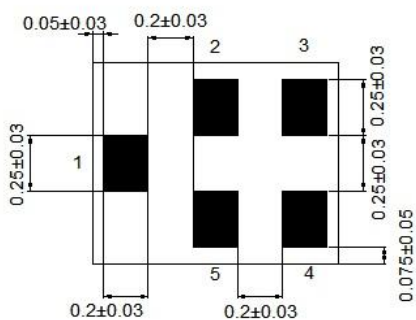
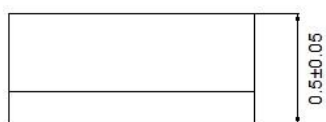
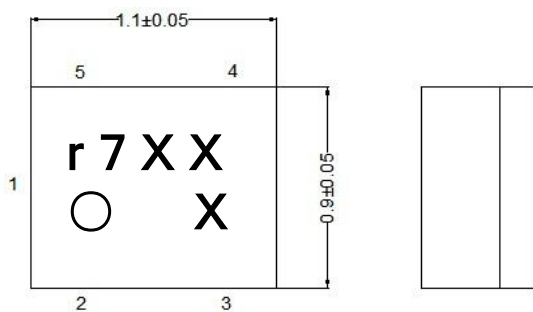
373-7, GAJANG-DONG, OSAN-SI
GYUNGGI-DO, KOREA, 447-210

<http://www.wisol.co.kr>

E-mail: sales@wisol.co.kr

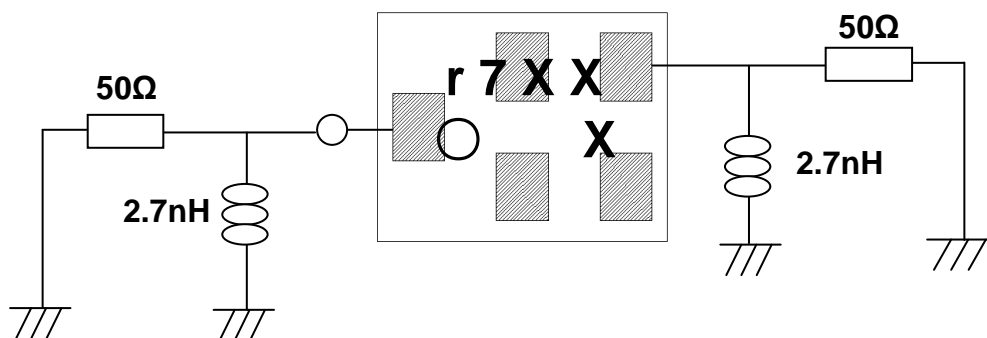
1. OUTLINE DRAWING & RECOMMENDED PCB

[Unit: mm]



No.	Function
2, 3, 5	Ground
1	Unbalanced Input
4	Unbalanced Output

2. TEST FIXTURE



< Top View >

3. PERFORMANCE

3-1. MAXIMUM RATINGS

CHARACTERISTICS	RATINGS	UNITS
DC Permissive Voltage	5	V
Maximum Input Power	29	dBm
Operating Temperature Range	- 20 ~ +85	°C
Storage Temperature Range	- 40 ~ +85	°C

3-2. ELECTRICAL CHARACTERISTICS

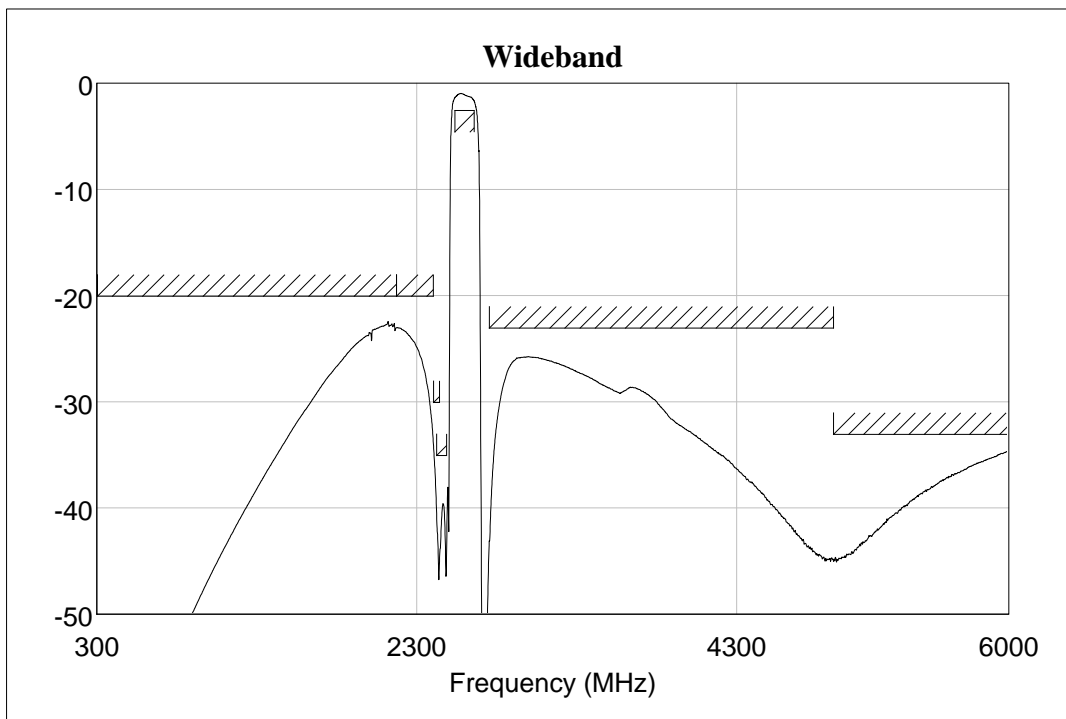
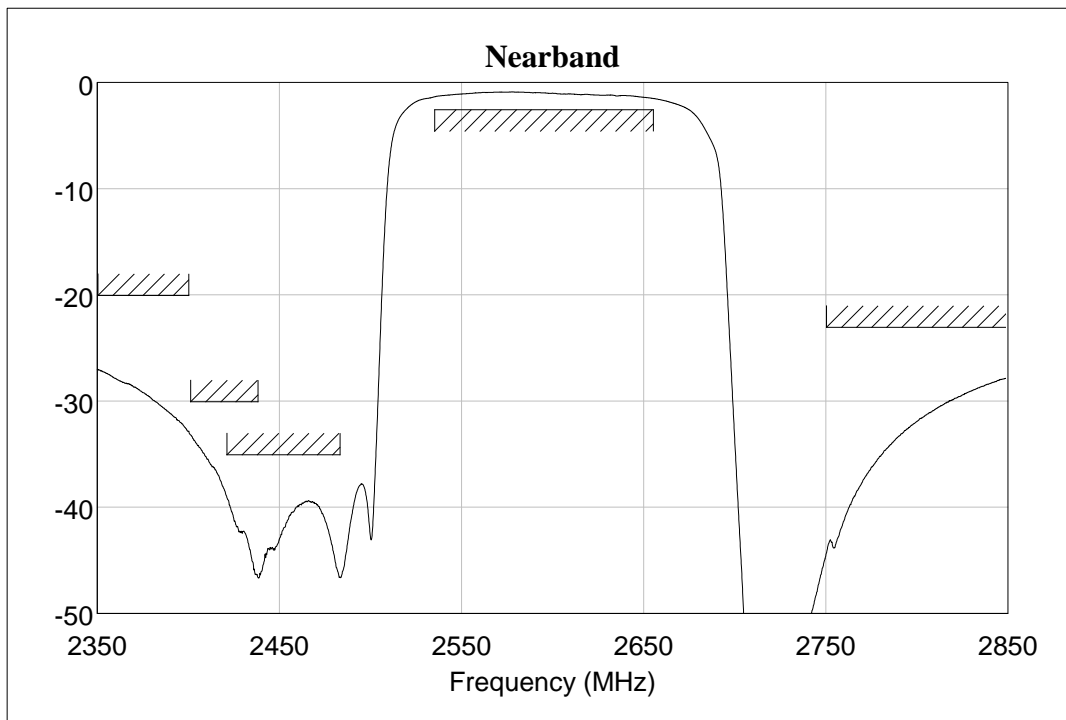
3-2-1. TABLE

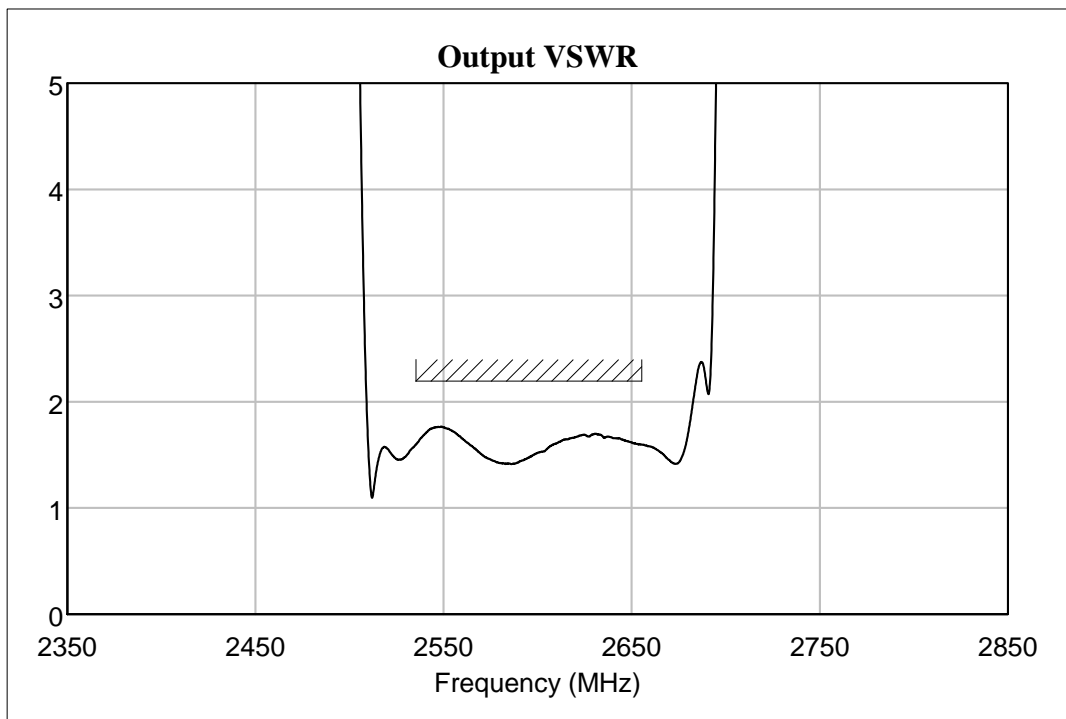
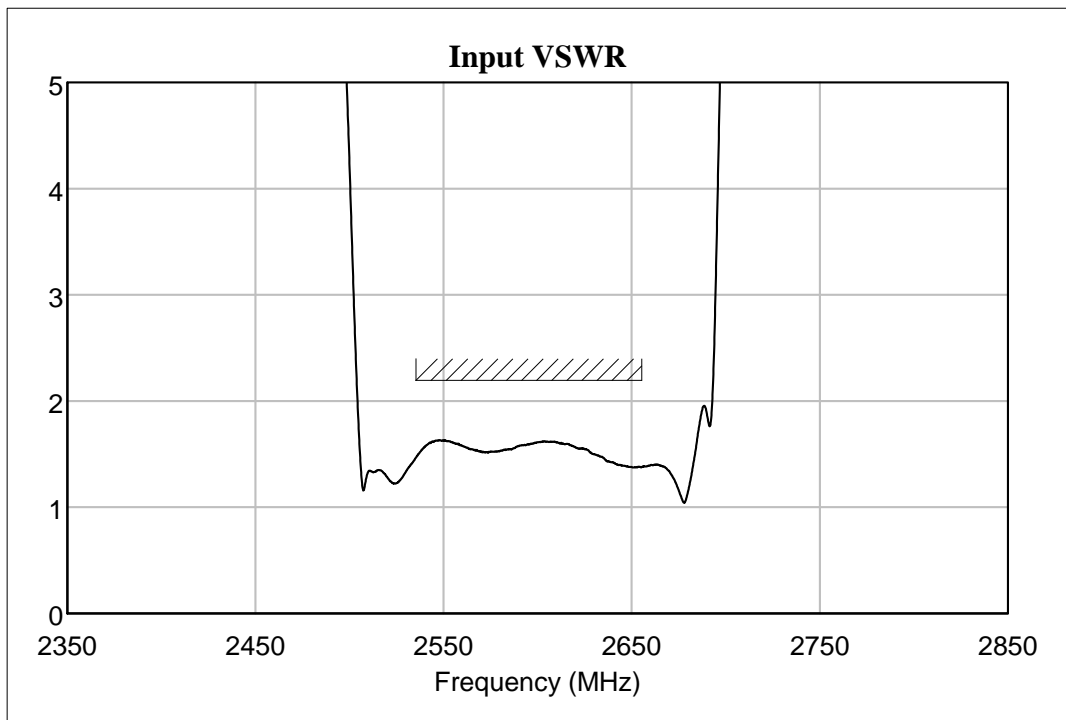
Ta = - 20 ~ + 85°C

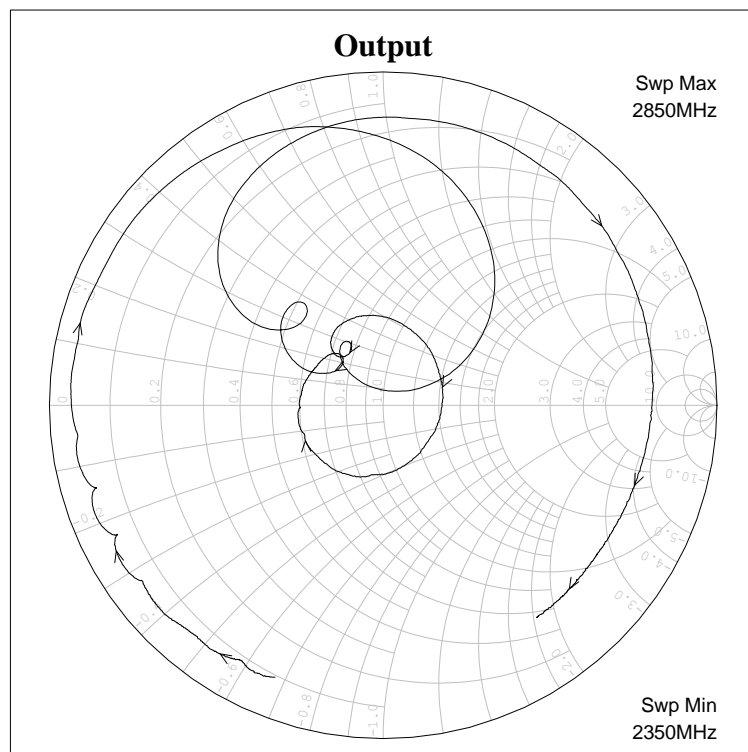
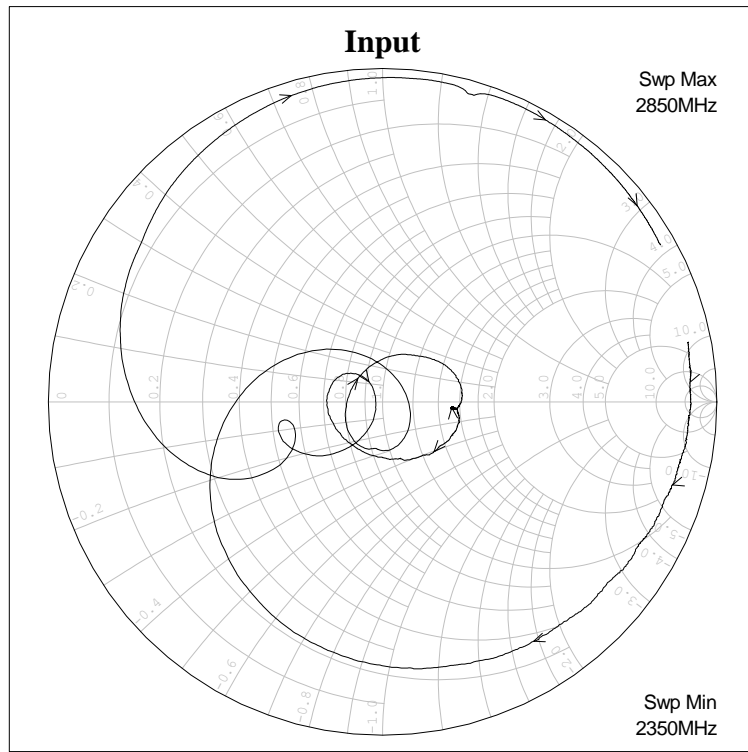
*1.PCB loss is de-embedded

Item	FREQUENCY RANGE [MHz]	UNIT	SPECIFICATION		
			Min.	Typ.(25°C)	Max.
Insertion Loss	2535 ~ 2655	dB		1.5	2.5
Inband Ripple	2535 ~ 2655	dB		0.6	1.6
Input VSWR	2535 ~ 2655	-		1.6	2.2
Output VSWR	2535 ~ 2655	-		1.7	2.2
Absolute Attenuation	10 ~ 2170	dB	20	23	
	2170 ~ 2400	dB	20	23	
	2401 ~ 2438	dB	30	33	
	2421 ~ 2483	dB	35	39	
	2750 ~ 4900	dB	23	26	
	4900 ~ 6000	dB	33	35	
Termination Impedance			Input: Unbalanced 50Ω // 2.7[nH] Output: Unbalanced 50Ω // 2.7[nH]		

3-2-2. GRAPH



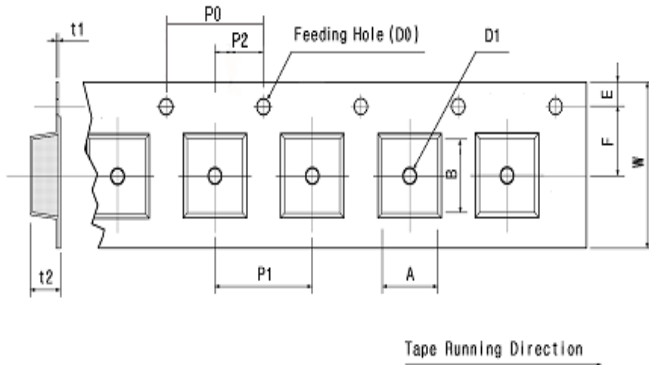




4. PACKING

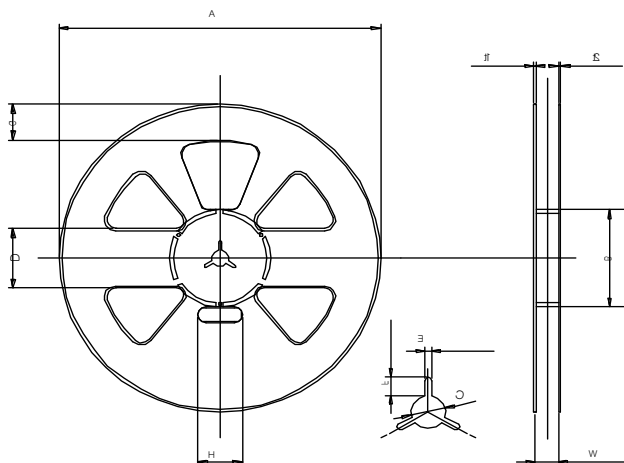
4-1. DIMENSIONS

- Carrier Tape [Unit: mm]



A	B	D0	D1
1.08 + 0.05 - 0.05	1.23 + 0.05 - 0.05	Ø1.50 + 0.10 - 0.00	Ø0.5 MIN
E	F	P0	P1
1.75 + 0.10 - 0.10	3.50 + 0.05 - 0.05	4.00 + 0.10 - 0.10	4.00 + 0.10 - 0.10
P2	t1	t2	W
2.00 + 0.05 - 0.05	0.23 + 0.05 - 0.05	0.70 + 0.05 - 0.05	8.00 + 0.10 - 0.10

- Reel [Unit: mm]



A	B	C	D
Ø258.0 +1.0 -0.5	Ø81.0 +1.0 -1.0	Ø13.0 +0.5 -0.5	50.0 +0.8 -0.8
E	F	G	H
2.2 +0.3 -0.3	7.0 +0.5 -0.5	30.0 +0.8 -0.8	35.0 +1.0 -1.0
t1	t2	W	
1.8 +0.5 -0.5	1.5 +0.5 -0.5	9.0 +1.0 -0.5	

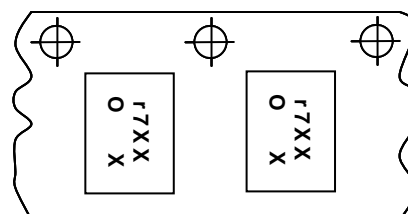
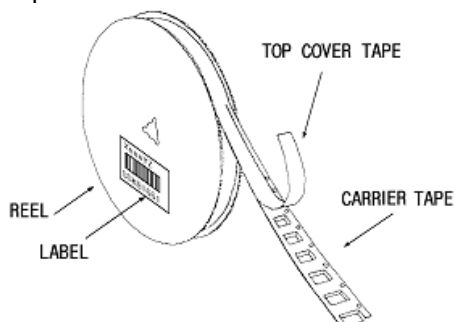
- The product shall be packed properly not to be damaged during transportation and storage.

4-2. REELING QUANTITY

10 inch reel: 8,000 pcs/reel

4-3. TAPING STRUCTURE

The tape shall be wound around the reel in direction shown below.



Tape Running direction