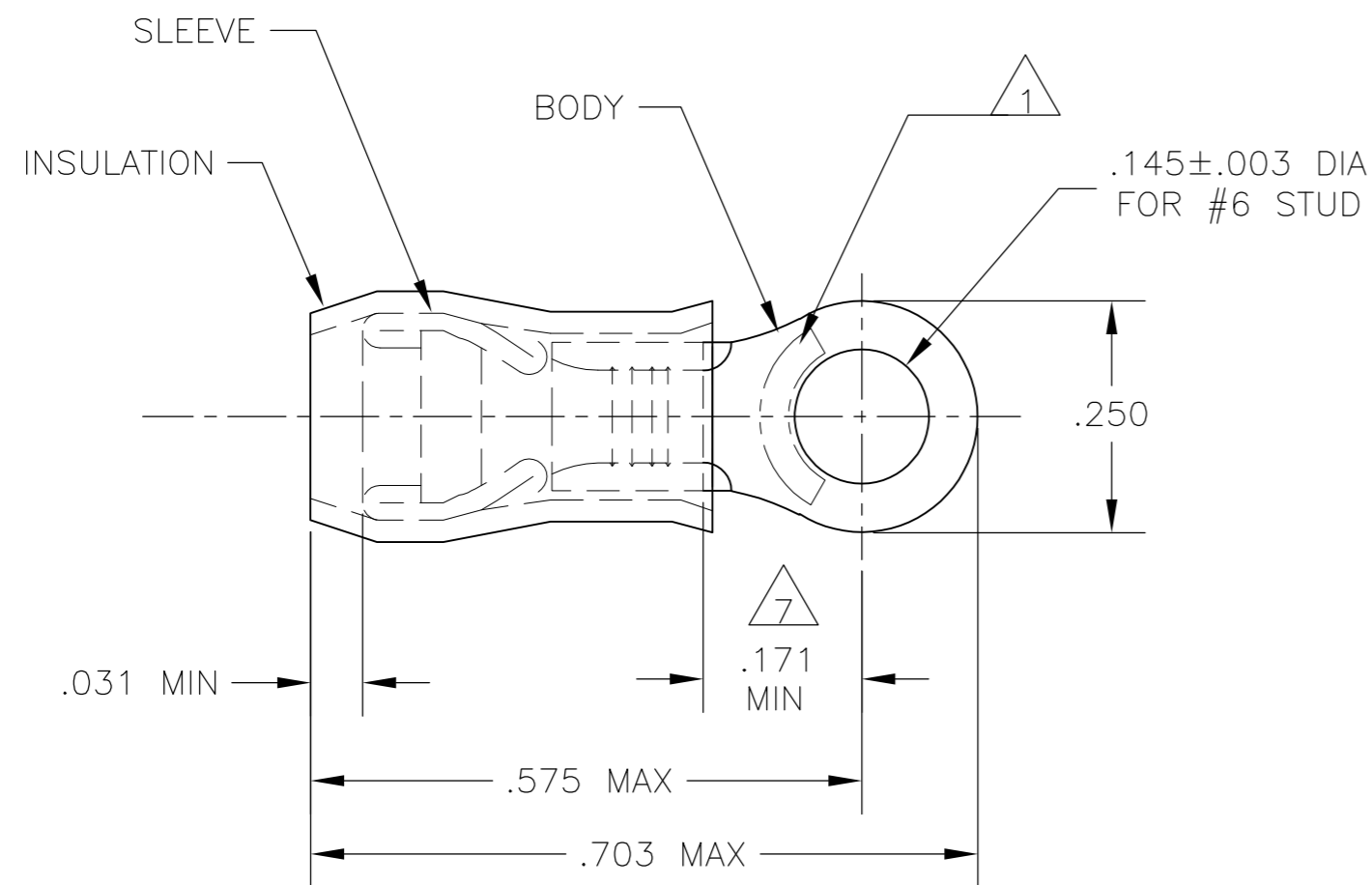
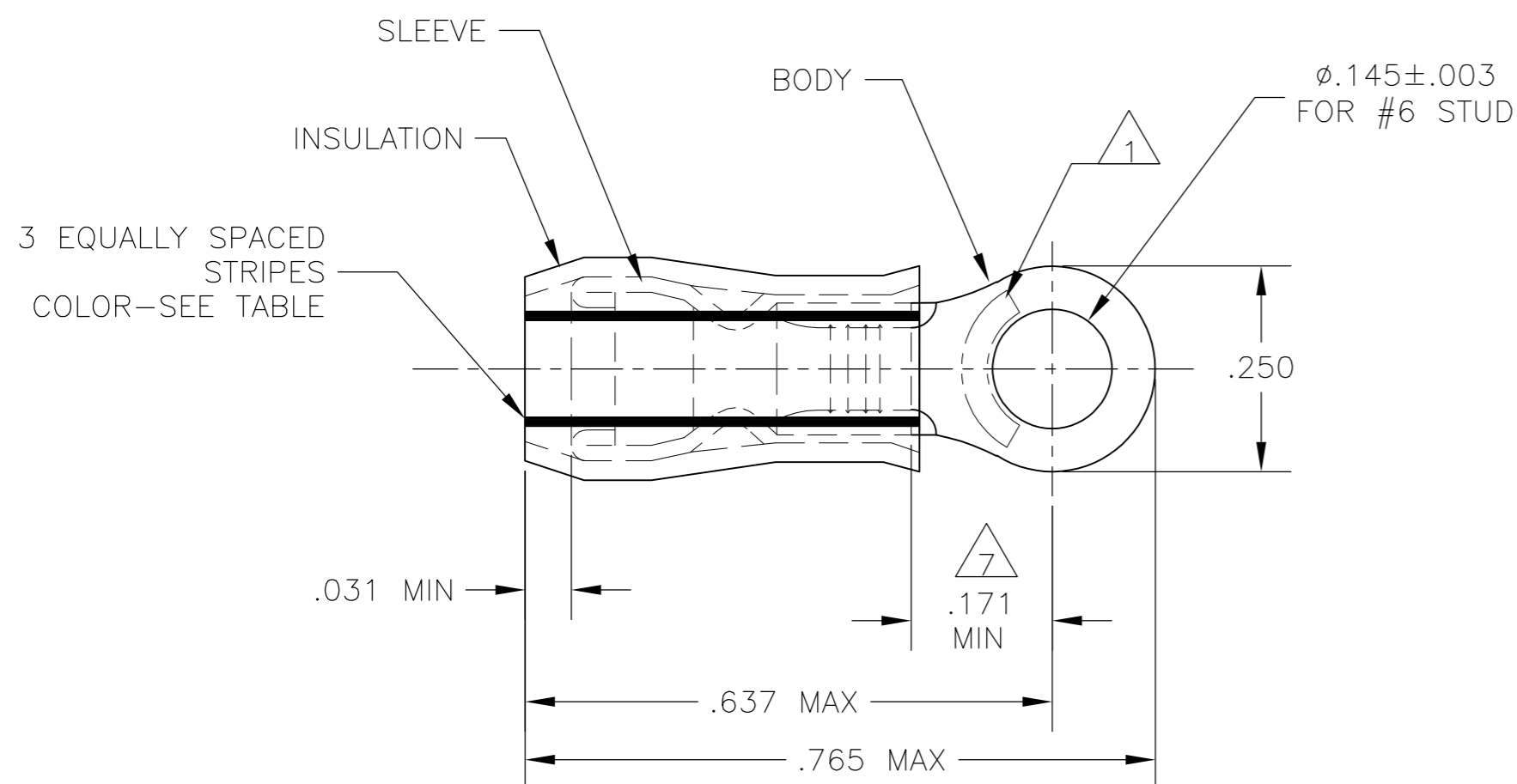


THIS DRAWING IS UNPUBLISHED. RELEASED FOR PUBLICATION
 © COPYRIGHT - By - ALL RIGHTS RESERVED.

LOC		DIST		REVISIONS			
P	LTR	DESCRIPTION		DATE	DWN	APVD	
G	14	P		REVISED PER ECO-14-015277	24FEB2015	NK	DR



STYLE A



STYLE B
INSULATION RESTRICTING

AMP WIRE RANGE	E13288 Listed	LR7189 Certified
16-14 AWG SOLID OR STRANDED	16-14 AWG SOLID OR STRANDED	16-14 AWG SOLID OR STRANDED

- △1 STAMP "AMP - SEE TABLE" APPROX AS SHOWN.
- 2 WIRE INSULATION DIA: SEE TABLE.
- 3 TONGUE MATERIAL THK: .031±.002.
- △4 BODY: TIN PLATE .000100 MIN EXT THK PER ASTM B545.
- △5 SLEEVE: TIN PLATE .000100 MIN EXT THK PER ASTM B545.
- △6 BODY & SLEEVE- CU PER ASTM B152
INSULATION - NYLON PER ASTM D4066
COLOR - BLUE.
- △7 APPLIES FROM EDGE OF METAL WIRE BARREL
TO CENTER OF STUD HOLE.
- △8 MEETS MS25036-106, CLASS 1 & 2.
- △9 MEETS MS25036-106, CLASS 2.
- △10 MEETS M7928/1-39, CLASS 1 & 2.
- △11 MEETS M7928/1-48, CLASS 1 & 2.

100	LOOSE PIECE, BOX	16-14	.105-.150	16-14	--	A			8-320561-1
500	LOOSE PIECE	14	.078-.130	14	GREEN	B			△11 2-320561-4
500	LOOSE PIECE	16	.063-.130	16	BLUE	B	△4	△5	△10 2-320561-3
5000	320561 ON TAPE	16-14	.105-.150	16-14	--	A			△9 2-320561-2
500	LOOSE PIECE	16-14	.105-.150	16-14	--	A			△8 320561
QTY	PACKAGE TYPE	STAMPING	WIRE INSUL DIA	WIRE SIZE	STRIPE COLOR	STYLE	BODY FINISH	SLEEVE FINISH	PART NO

CUSTOMER SERVICE SYSTEMS		MAX RECOMMENDED OPERATING TEMPERATURE: 105°C MAX	THIS DRAWING IS A CONTROLLED DOCUMENT.		DWN JR RUTH 13JAN10	TE Connectivity			
FOR ADDITIONAL PRODUCT INFORMATION OR COPIES OF DRAWINGS AND TECHNICAL DOCUMENTS	PRODUCT INFORMATION CENTER 1-800-522-6752	VOLTAGE RATING: 300 VOLT MAX	DIMENSIONS: INCHES	TOLERANCES UNLESS OTHERWISE SPECIFIED: 0 PLC ± - 1 PLC ± - 2 PLC ± - 3 PLC ± .008 4 PLC ± - ANGLES ± -	CHK T MICHIELUTTI 13JAN10				
FOR APPLICATION TOOLING INFORMATION	TOOLING ASSISTANCE CENTER 1-800-722-1111	CIRCULAR MIL AREA: 1.02-2.62mm² [2,050-5,180] STRANDED OR SOLID		MATERIAL △6	APVD T MICHIELUTTI 13JAN10	PRODUCT SPEC APPLICATION SPEC			
FOR ORDER ENTRY	1-800-526-5142	THIS DRAWING IS A CONTROLLED DOCUMENT FOR AMP INCORPORATED. IT IS SUBJECT TO CHANGE AND THE CONTROLLING ENGINEERING ORGANIZATION SHOULD BE CONTACTED FOR THE LATEST REVISION.		FINISH SEE TABLE	WEIGHT -	SIZE A2	CAGE CODE 00779	DRAWING NO C-320561	RESTRICTED TO -
					CUSTOMER DRAWING		SCALE 5:1	SHEET 1 of 1	REV P