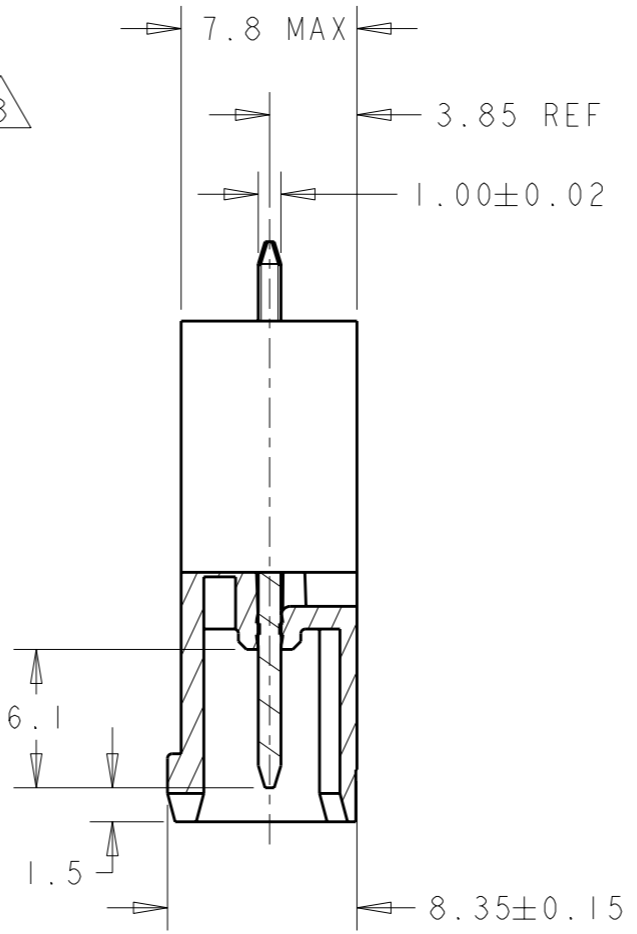
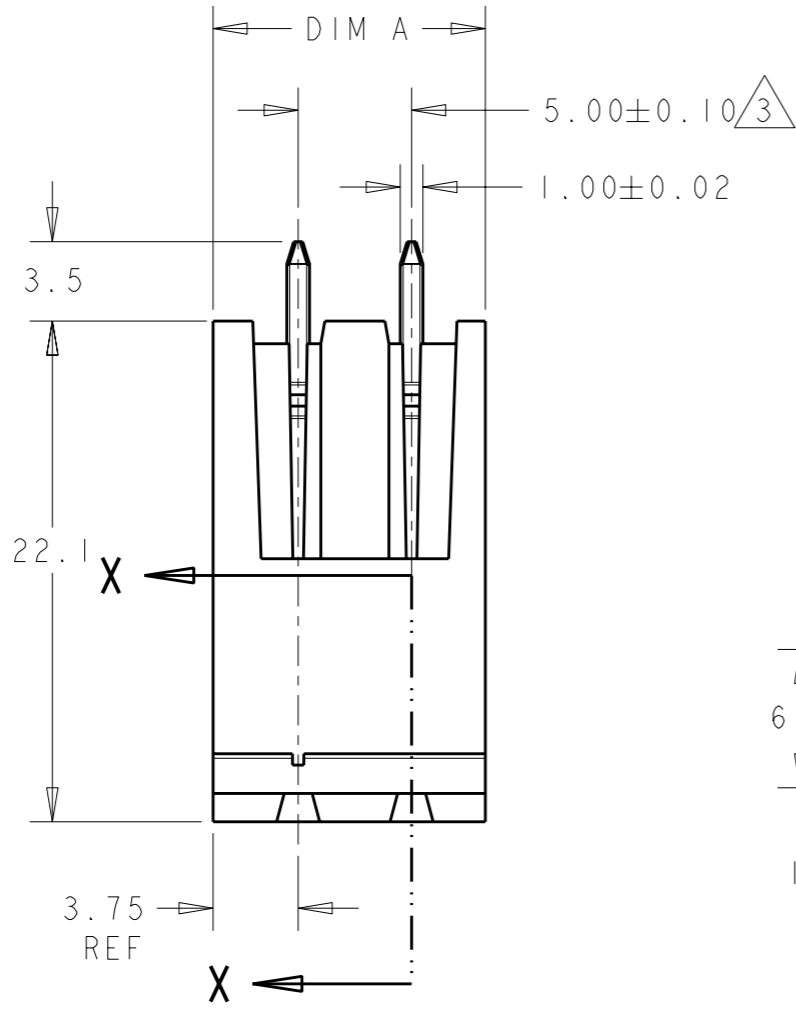
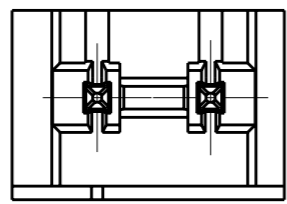


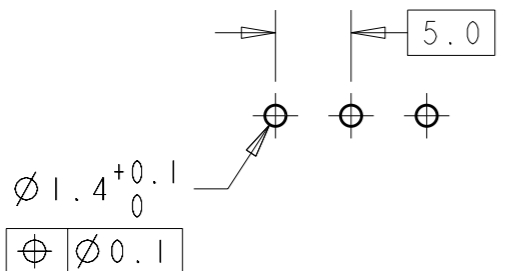
THIS DRAWING IS UNPUBLISHED. RELEASED FOR PUBLICATION 20
 © COPYRIGHT 20 BY TYCO ELECTRONICS CORPORATION. ALL RIGHTS RESERVED.

LOC	DIST	REVISIONS			
P	LTR	DESCRIPTION	DATE	DWN	APVD
-	-	A1	REVISED PER ECO-09-023020	14OCT2009	HMR CR



SECTION X - X

- MATERIALS AND FINISH:
 HOUSING: PA 6-6, UL94V-0, COLOR: GREEN
 TERMINALS: PHOSPHOR BRONZE, TIN PLATED
 6-7µm OVER 2-3µm NICKEL UNDERPLATE.
- SUITABLE FOR 1.6-2.4mm PC BOARD THICKNESS.
- NOT CUMULATIVE TOLERANCE.
- OPERATING TEMPERATURE RANGE: -40°C TO +110°C.
- CURRENT RATING: 300V, 15A
- UL RECOGNIZED TO CANADIAN AND US STANDARDS
 IN FILE E60677.
- 2 POSN HEADER WILL MATE WITH 284046-2
 4 POSN HEADER WILL MATE WITH 284046-4.



RECOMMENDED PC BOARD LAYOUT

22.0	4	1986525-4
12.0	2	1986525-2
DIM A	NO OF POSN	PART NUMBER

<small>THIS DRAWING IS A CONTROLLED DOCUMENT FOR TYCO ELECTRONICS CORPORATION IT IS SUBJECT TO CHANGE AND THE CONTROLLING ENGINEERING ORGANIZATION SHOULD BE CONTACTED FOR THE LATEST REVISION.</small>		DWN S. SCHLEGEL 02MAR2009 CHK C RICHARD 02MAR2009 APVD C RICHARD 02MAR2009		Tyco Electronics Harrisburg, PA 17105-3608	
DIMENSIONS: mm		TOLERANCES UNLESS OTHERWISE SPECIFIED: 0 PLC ±- 1 PLC ±0.3 2 PLC ±0.25 3 PLC ±- 4 PLC ±- ANGLES ±-		NAME TERMINAL BLOCK, HIGH RISE, 5.0mm PITCH	
MATERIAL -		FINISH -		PRODUCT SPEC - APPLICATION SPEC - WEIGHT -	
CUSTOMER DRAWING				SIZE A3	CAGE CODE 00779
SCALE 3:1				DRAWING NO C-1986525	RESTRICTED TO -
SHEET 1 OF 1				REV A1	