



DESCRIPTION

PT2259 is an 8-pin 2-channel volume controller which utilizes CMOS technology and incorporates the I²C interface control. The controller features an attenuation range of 0 to -79dB, low noise output, a high degree of stereo separation and requires only a small number of external components. PT2259 is an essential component for modern audio visual systems.

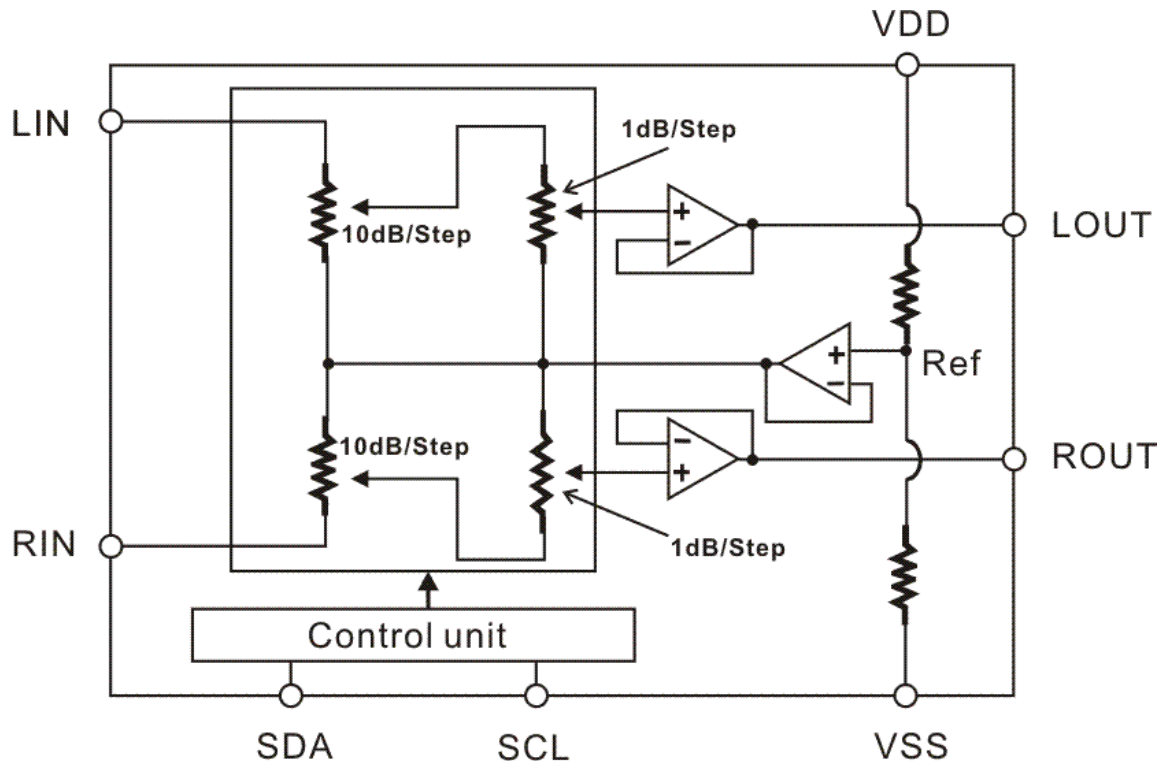
FEATURES

- Attenuation range: 0 to -79dB in 1dB steps
- Operating voltage: 4 to 10V
- Low power consumption
- Low signal noise: S/N > 100dB (A-weighting)
- Stereo separation > 100dB
- Requires few external components
- 2-channel volume individual adjust
- Available in 8 Pins DIP or SOP

APPLICATIONS

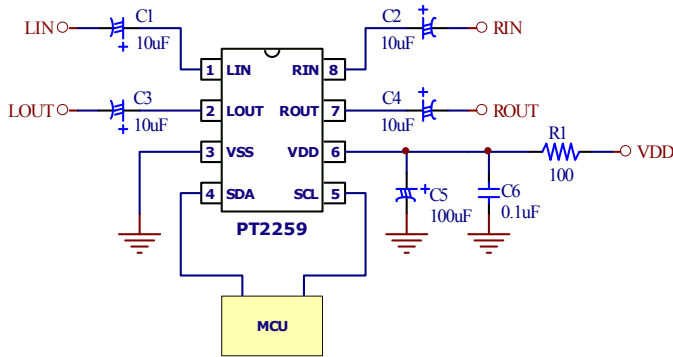
- Audio/visual surround sound systems
- Car audio systems
- Mini-compo systems
- Computer multi-media speakers
- Other audio applications

BLOCK DIAGRAM

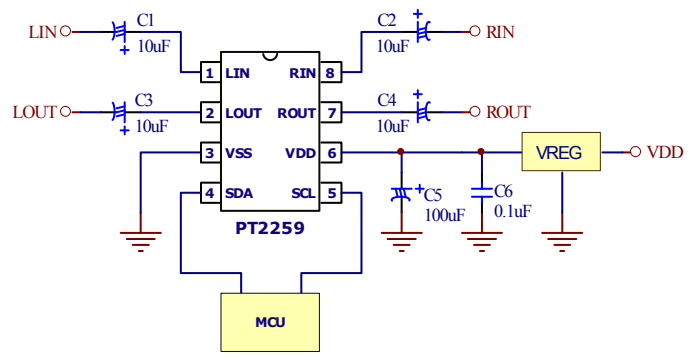


APPLICATION CIRCUIT

IMPROVE VDD NOISES REJECTION

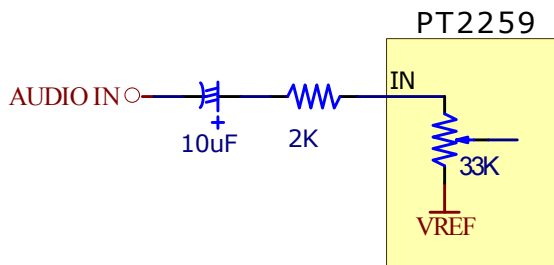


ADD a RC filter on the VDD path

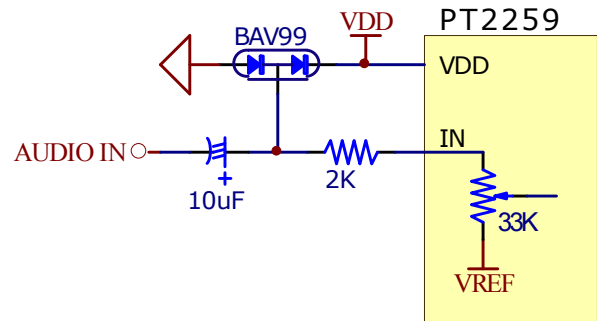


Use a regulated supply

IMPROVE INPUT ESD HANDLING CAPABILITY



ADD a Resistor on the input path

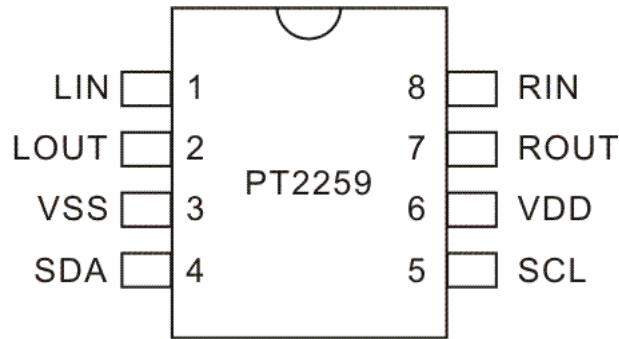


ADD a protection diode on the input path

ORDERING INFORMATION

Valid Part Number	Package Type	Top Code
PT2259	8 Pins, DIP, 300mil	PT2259
PT2259-S	8 Pins, SOP, 150mil	PT2259-S

PIN CONFIGURATION



PIN DESCRIPTION

Pin Name	I/O	Description	Pin No.
LIN	I	Left Channel Input (capacitor coupled to input port)	1
LOUT	O	Left Channel Output (capacitor coupled to output port)	2
VSS	-	Ground	3
SDA	I	I ² C Data Input	4
SCL	I	I ² C Clock Input	5
VDD	-	Power Supply	6
ROUT	O	Right Channel Output (capacitor coupled to input port)	7
RIN	I	Right Input Channel (capacitor coupled to output port)	8

IMPORTANT NOTICE

Princeton Technology Corporation (PTC) reserves the right to make corrections, modifications, enhancements, improvements, and other changes to its products and to discontinue any product without notice at any time.

PTC cannot assume responsibility for use of any circuitry other than circuitry entirely embodied in a PTC product. No circuit patent licenses are implied.

Princeton Technology Corp.
2F, 233-1, Baociao Road,
Sindian, Taipei 23145, Taiwan
Tel: 886-2-66296288
Fax: 886-2-29174598
<http://www.princeton.com.tw>