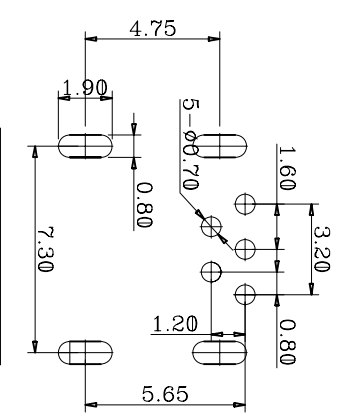
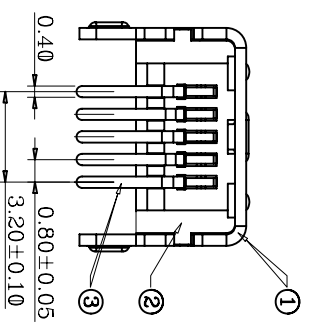
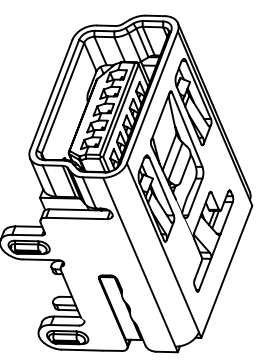
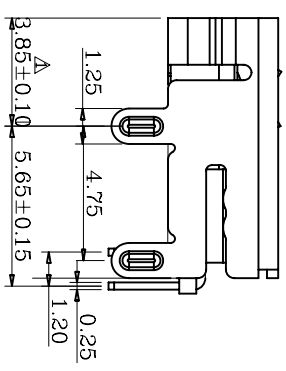
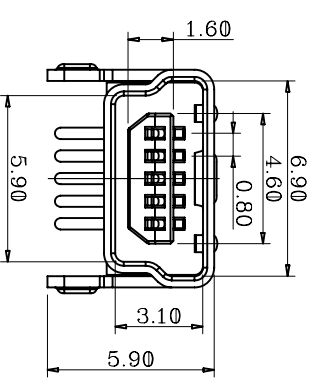
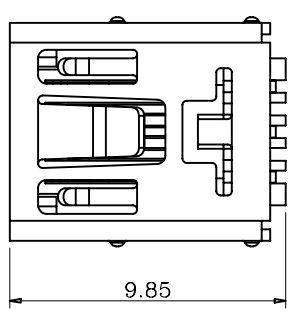
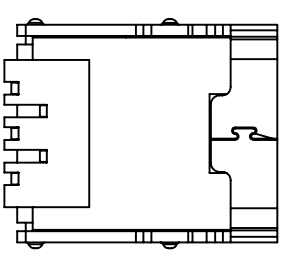


REV	ECN NO.
1.1	EC20080602



Recommended PCB Layout

- Specification:
- 1 Current rating:1.0A AC/DC
 - 2 Voltage rating:50V AC/DC
 - 3 Contact resistance:50m milliohms max
 - 4 Insulation resistance:100 Mega ohms min
 - 5 Withstanding voltage:500V AC/minute
 - 6 Temperature range:-25°C to +80°C



③	CONTACT	5	COPPER ALLOY	GOLD PLATED OVER NICKEL
②	HOUSING	1	HIGHT TEMP. PLASTIC	UL94V-0
①	SHELL	1	BRASS	GOLD PLATING T=0.40
ITEM	PART NAME	Q'TY/PCS	MATERIALS	NOTE

深圳市虹成电子有限公司

DESCRIPTION:

Mini USB 5pin Dip ?????

DRAWING: ? ? ?

CHECKED: ? ? ?

APPROVAL: ? ? ?

GENERAL TOLERANCE
 .X:±0.2
 .XX:±0.10
 .XXX:±0.05
 .X°:±2°
 .XX°:±1°
 .XXX°:±0.5°

UNIT: MM
 PROJECTION:

SCALE: 1/1

SHEET: 1/1



PART NO:	5075MR-05-D2	REV: 1.1
DRAWING NO:	P1103F05D-B2Q1-T1D3B2-01	SIZE: A4

NO.	DATE	DESCRIPTION	APPROVAL
1	08.06.02	??????3.00mm???? 3.85±0.10mm	? ? ?
2			
3			
4			
5			