

REV	MODIFICATION	DATE

NOTE:

1. Material:

Housing: Thermoplastics, UL94V-0 (ROHS, HF)
 Contact: Phosphor Bronze C5191-EH/C2680-EH, T=0.25mm
 Shell: COPPER ALLOY T=0.30mm

2. FINISH:

Contact: 15u" Gold Plated on Contact Area,
 80u" Min. Tin Plated on Solder Area
 50u" Min. Nickel Underplating Over All.
 Shell: 50u" Min. Nickel Underplating Over All.

3. Specification:

3.1: Rating:
 Rated voltage 500V AC/DC. Rated current: 2 A Max.

3.2: Electrical:
 Insulation Resistance(EIA-364-21):
 1000MΩ Min. at 500V/DC for 1Minute.

Contact Resistance(EIA-364-23):
 30 mΩ Max. at 20mV Max, 50mA

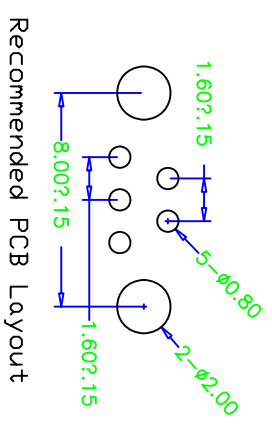
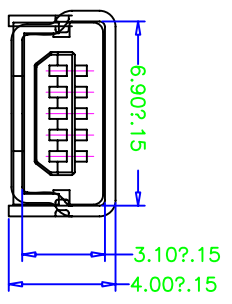
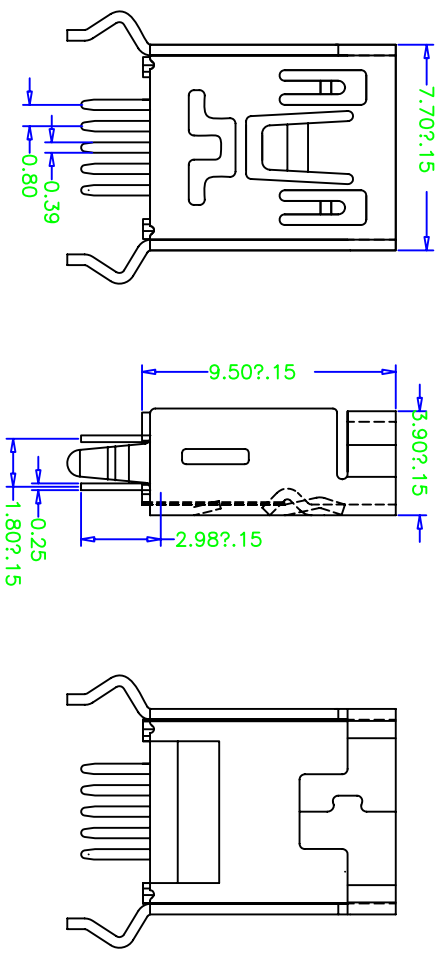
Dielectric Withstanding Voltage(EIA-364-20):
 No discharge, flashover or breakdown at 500V/AC 1minute

4. Plug extraction force shall be between :

INSERTION FORCE: 35N(3.57KGF) MAX
 EXTRACTON FORCE: 10~35N(1.02~3.57KGF) MIN

5. Contact finish:

- 01: Selective Gold Flash
- 02: Selective Gold 3U"
- 03: Selective Gold 5U"
- 04: Selective Gold 15U"
- 05: Selective Gold 30U"



产品图
PRODUCT CHART DWG

公差一览表
TOLERANCE UNLESS OTHERWISE

公差一览表	公差	OTHERUSE	单位	制图	Z-Y-B	制料号
X	±0.25	X	±5.°	MM	DRAWING	PRODUCT PART NO.
X	±0.20	X	±2.°	1:1	审核	产品名称
XX	±0.15	XX	±1.°	比例	CHRD	PRODUCT NO.
.XXX	±0.10	.XXX	±0.5°	日期	核准	角法
				DATE	APPR	VIEW
				2013.12.20		MINI USB5P180度直插弯脚
						版本
						REV
						A0