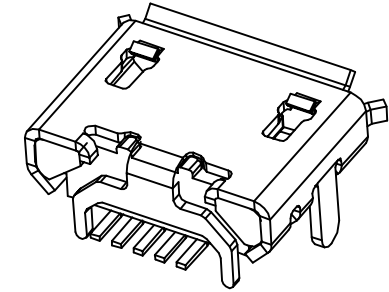
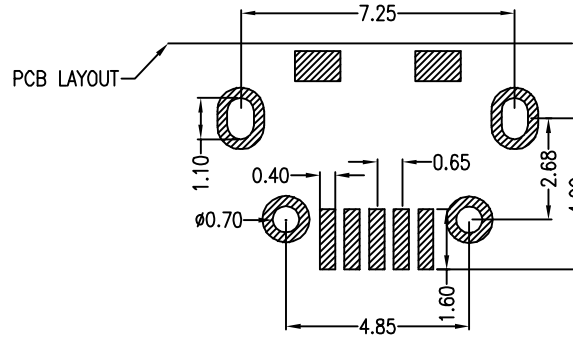
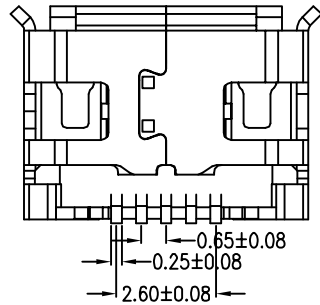
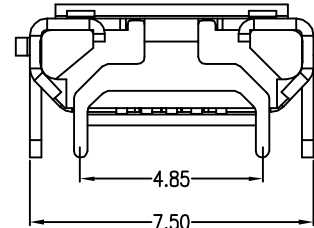
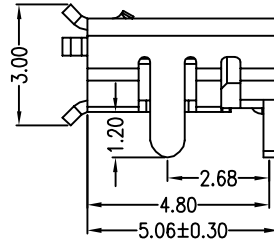
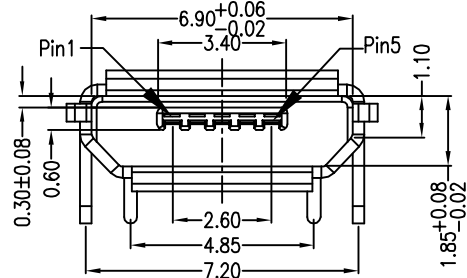
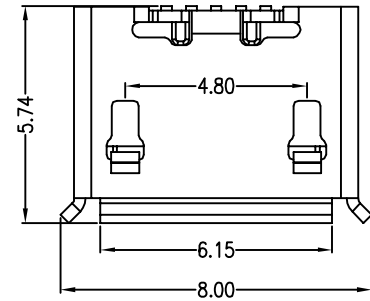


REV.	ECN NO	LOCATIONS	DESCRIPTION	DATE



Note:

1.Material:

- 1.1 Housing: High temperature thermoplastic with g.f,UL94v-0
- 1.2 Contact: copper alloy,t=0.15mm
- 1.3 Shell: copper alloy,t=0.30mm

2.Specification:

- 2.1 Current rating: 1 A Max.
- 2.2 Dielectric withstanding voltage: 100 V(ac) for 1 min.
- 2.3 Contact resistance: 50 mW Max.
- 2.4 Insulation resistance: 100 MW Min.
- 2.5 Total mating force: 3.57 Kgf Max.
- 2.6 Total unmating force: 1.0 Kgf Min.0.81~2.05 Kgf Min.
- 2.7 Temperature range: -30°C~80°C

A 01 S B 1 4 1 B 1-263

① ② ③ ④ ⑤ ⑥ ⑦ ⑧ ⑨ ⑩

- ① 产品代号 A:成品
- ② 产品系列 01:micro usb 5pin
- ③ 产品类别 S:母座
- ④ 产品类型 B:B TYPE
- ⑤ 外壳材质 1:C2680R-H
- ⑥ 端子材质 4:G5191R-EH
- ⑦ 主体材质 1:LCP
- ⑧ 主体颜色 B:黑色
- ⑨ 下板类型 1:DIP
- ⑩ 细节流水 263:MIRCO USB 5S B TYPE 四脚全插(牛角型)短针脚长1.2

PART NO: AO1SB141B1-263		MATERIAL: SEE NOTE	
MODEL NO: XX		FINSH: SEE NOTE	
UNIT: MM	SIZE: A4	COLOR: SEE NOTE	
TOLERANCE UNSPECIFIED		DR: 夏友红	
.x	0.25	CHK:	
.xx	0.15	APP:	
.xxx	0.10	SCALE: 5:1	
Ang.	2'	DATE: 2013.04.18	
TITLE: MIRCO USB 5S B TYPE 四脚全插(牛角型)短针脚长1.2		REV: B	
DWG NO: A263		DATE: 2013.04.18	

