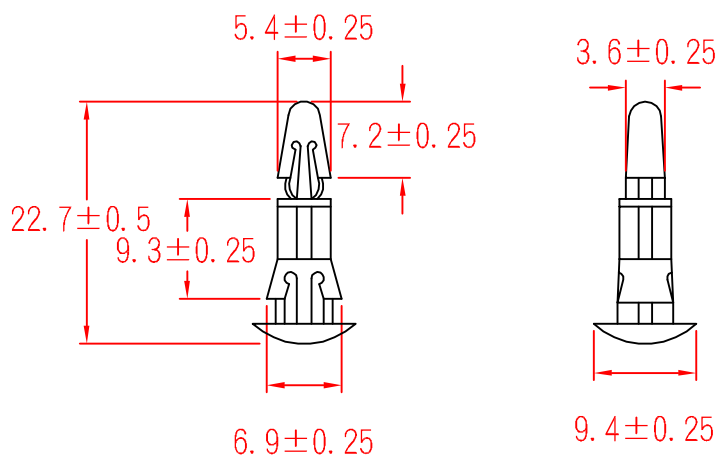


RS-10S

To fit 4.0mm hole
chassis 1.8mm



To fit 5.5mm hole
chassis 1.8mm

承認
KSS
101.04.17
邱平裕

審查

製圖
KSS
101.04.17
謝文通

設計

| | | | |
|--------------|------------------------|----------------------------------|---|
| 中文名 平底隔離柱 | | MATERIAL UL 94V-2 NYLON 66 | ITEM NO. RS-10S |
| SCALE | | FINISH | NAME REVERSE LOCKING CIRCUIT BOARD SUPPORT |
| △ (. .) | TOLERANCE AS FIGURE | △ 04-17-2012 DATE | REVISIONS K002 |
| 使用機種 | | | R.NO. |

