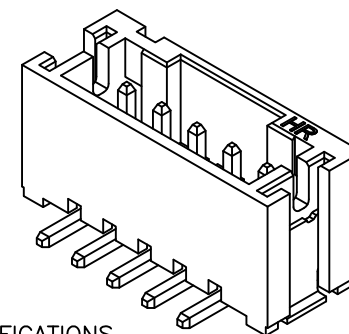


P/N LEGEND

A2001 WV-S-XP XXX
 ① ② ③ ④ ⑤

① Series No.
 ② Connector type: WV=Vertical
 ③ Mounting type: S=SMT
 ④ No. of circuits
 ⑤ Option code:

Blank=Contacts/Matte Tin-plated and Solder tabs/Matte Tin-plated
 Material: Nylon 6T,UL94V-0,Natural(Beige)
 D01=Contacts/Gold-flash and Solder tabs/Gold-flash
 Material: Nylon 6T,UL94V-0,Natural(Beige)
 D04=Contacts/Gold-plated 30u" and Solder tabs/Gold-flash
 Material: Nylon 6T,UL94V-0,Natural(Beige)
 D10(Without cap)=Contacts/Gold-flash and Solder tabs/Gold-flash
 Material: Nylon 6T,UL94V-0,Natural(Beige)
 D11=Contacts/Gold-flash and Solder tabs/Gold-flash
 Material: Nylon 6T,UL94V-0,Natural(Black)



SPECIFICATIONS

Current Rating: 2A AC,DC
 Voltage Rating: 100V AC,DC
 Temperature Range: -25°C ~ +85°C
 Contact Resistance: 10mΩ Max.
 Insulation Resistance: 1000MΩ Min.
 Withstanding Voltage: 800V AC/minute
 Pin Material: Brass
 Solder Tabs: Brass
 Cap: Nylon 6T,UL94V-0,(Beige)

Circuit No.	Dimensions		
	A	B	C
02P	2.00	8.00	4.72
03P	4.00	10.00	6.72
04P	6.00	12.00	8.72
05P	8.00	14.00	10.72
06P	10.00	16.00	12.72
07P	12.00	18.00	14.72
08P	14.00	20.00	16.72
09P	16.00	22.00	18.72
10P	18.00	24.00	20.72
11P	20.00	26.00	22.72
12P	22.00	28.00	24.72
13P	24.00	30.00	26.72
14P	26.00	32.00	28.72
15P	28.00	34.00	30.72
16P	30.00	36.00	32.72

				UNIT	SCALE	SHEET	TITLE:
				mm	1 : 1	1 of 2	
DRAWN BY 李勤 2006.07.21				APPROVED BY 董正一 2006.07.21		2.00mm PITCH 180° WAFER-SMT TYPE	
A5	EN1503130002	2015.03.13	王亮	X.X±0.25			DRAW NO. : A2001WV-S-XP
A4	EN1210300352	2012.10.30	陳錦展	ANGLE±			
A3	EN1202150023	2012.02.15	陳錦展	X.XX±0.15	REV. A5		
REV.	DESCRIPTION	DATE	NAME	X.XXX±0.05			