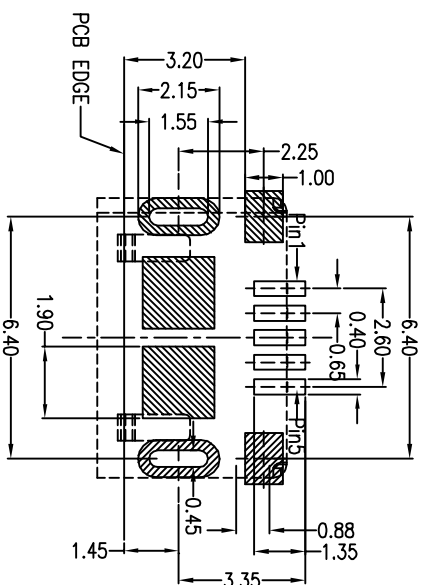
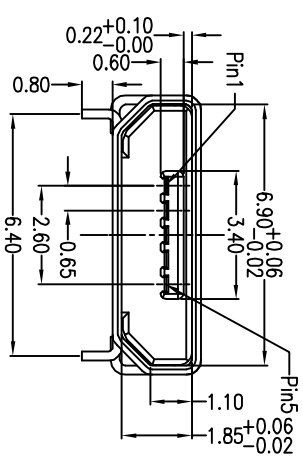
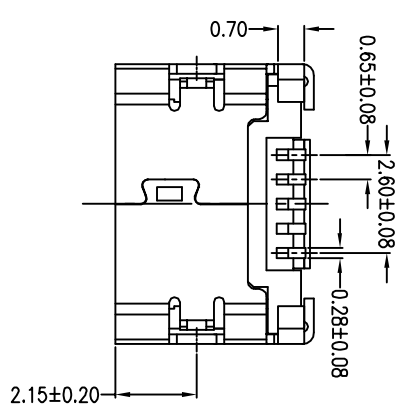
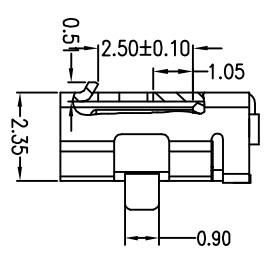
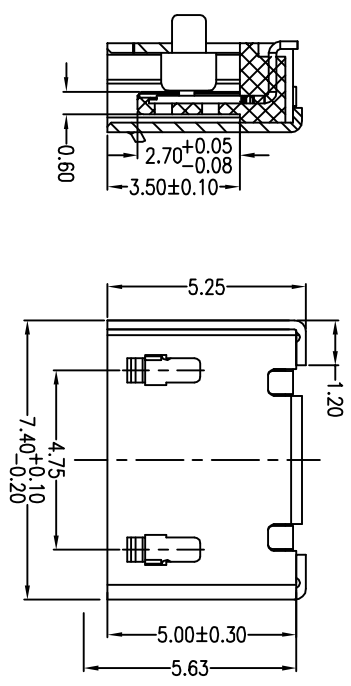
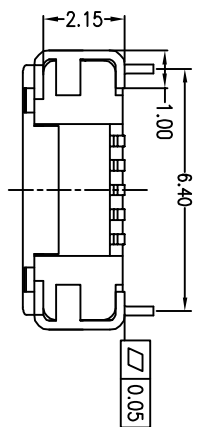


| REV. | ECH NO | LOCATIONS | DESCRIPTION | DATE |
|------|--------|-----------|-------------|------|
|      |        |           |             |      |



RECOMMENDED PCB LAYOUT

- Note:
- Material:
    - Housing: High temperature thermoplastic with g.f, UL94V-0
    - Contact: copper alloy, t=0.20mm
    - Shell: copper alloy, t=0.25mm
  - Specification:
    - Current rating: 1 A Max. voltage: 100 V(ac) for 1 min.
    - Dielectric withstanding
    - Contact resistance: 50 mW Max.
    - Insulation resistance: 100 MW Min.
    - Total mating force: 3.57 Kgf Max.
    - Total unmating force: 1.0 Kgf Min. 0.81~2.05 Kgf Min.
    - Temperature range: -30°C~80°C

**A 01 S B 1 4 1 B 1-285**

- 产品代号 A: 部品
- 产品系列 01: micro usb 5p 1n
- 产品类别 S: 母座
- 产品类型 B: B TYPE
- 外壳材质 1: 28800R-H
- 端子材质 4: 5181R-BH
- 主体材质 1: LCP
- 主体颜色 B: 黑色
- 下板类型 1: dlp (微板)
- 细节流水 285: 02M4 Micro usb 5p B Type 封装脚注(微板) 8: 4

|                            |                    |  |                  |
|----------------------------|--------------------|--|------------------|
| PART NO:<br>A01SB141B1-285 | MATERIAL: SEE NOTE | TITLE:<br>Micro usb 5p B Type Smt 有脚脚注封装板式06: 4无号位 |                  |
| MODEL NO: XX               | FINSH: SEE NOTE    | DWG NO: A285                                       | REV: A           |
| UNIT: MM                   | SIZE: A4           | DR: xiyuolong                                      | SCALE: 5:1       |
| TOLERANCE UNSPECIFIED      |                    | CHK:   | DATE: 2012.05.18 |
| .x 0.15                    |                    | APP:   |                  |
| .xxx 0.10                  |                    |  |                  |
| .xxx 0.05                  |                    |  |                  |
| Ang. 1°                    |                    |  |                  |