

|      |              |      |
|------|--------------|------|
| MAPX | MODIFICATION | DATE |
|------|--------------|------|

特性: Specificaions  
电气: Eleelrical:

1. 接触阻抗: Contact Resistance  
30 milliohms MAX
2. 耐电压: Dielectric Withstanding Voltage:  
500 V AC AT Sea Level
3. 绝缘阻抗: Insulation Resistance:  
1000MEGA ohms MIN

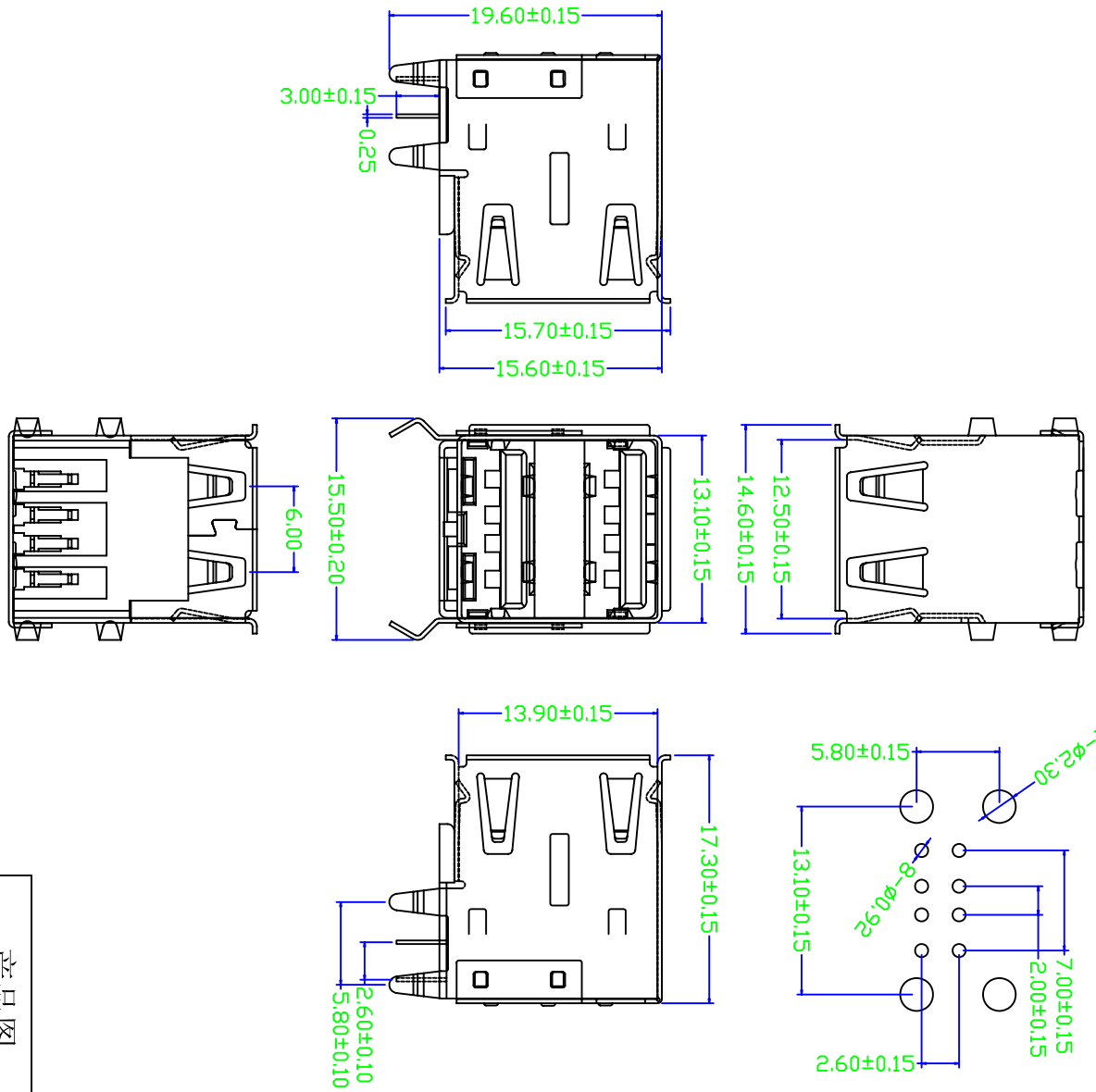
机构: Mechanical:

1. 结合为: Mating Force:  
4.0KG MAX 最大4kg
2. 拔出力: Umating Force:  
0.5 KG NIN 最少0.5kg

材料: Matorial:

1. 塑胶: Housing: Hing Temperature Thermaplastio
  2. 端子: Contact: Copper Alloy 铜合金
  3. 外壳: Shell: Copper Aiioy铁/铜合金
- 电镀: Finish:  
1. 端子: Contact: Plated Gold in Mating Area;  
Tin On Solder Talis  
接触点镀金. 脚镀锡

Nickel Plating 镀镍



产品图

PRODUCT CHART DIM

公差一览表  
TOLERANCE UNLESS OTHERWISE:

|      |       |      |       |
|------|-------|------|-------|
| X    | ±0.25 | X    | ±5.°  |
| .X   | ±0.20 | .X   | ±2.°  |
| .XX  | ±0.15 | .XX  | ±1.°  |
| .XXX | ±0.10 | .XXX | ±0.5° |

|             |            |               |       |                          |                 |
|-------------|------------|---------------|-------|--------------------------|-----------------|
| 单位<br>UNITS | MM         | 制图<br>DRAWING | Z-Y-B | 制图料号<br>PRODUCT PART NO. |                 |
| 比例<br>SCALE | 1:1        | 审核<br>CHKD    | L-Y-J | 产品名称<br>PRODUCT NO.      | USB 双层90度有边外扣弯脚 |
| 日期<br>DATE  | 2014.06.09 | 核准<br>APRD    | L-Y-J | 角法<br>VIEW               |                 |
|             |            |               |       |                          | 版本<br>VER       |
|             |            |               |       |                          | A0              |