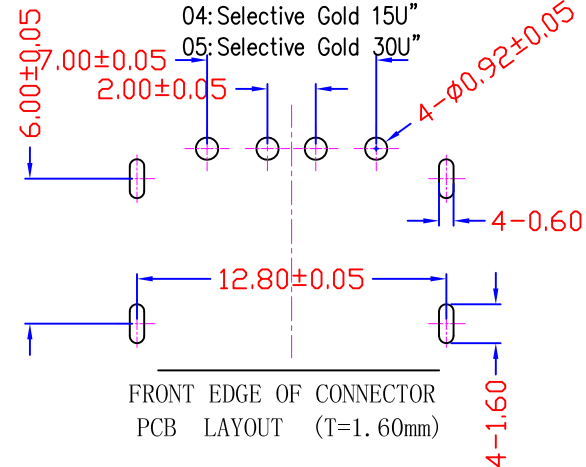
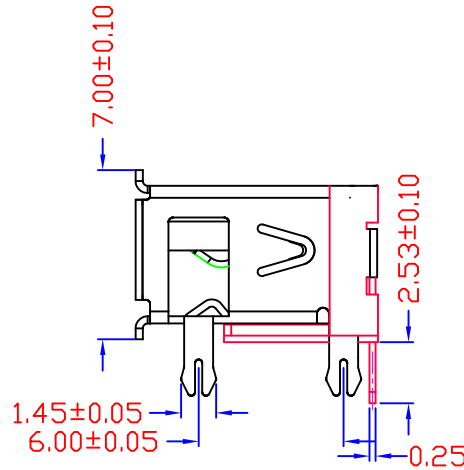
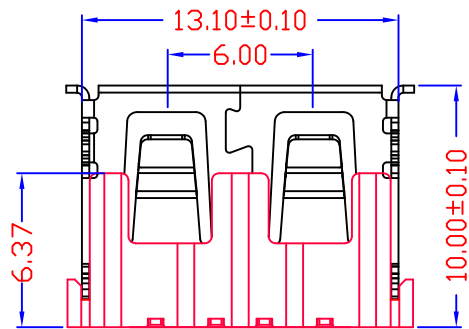
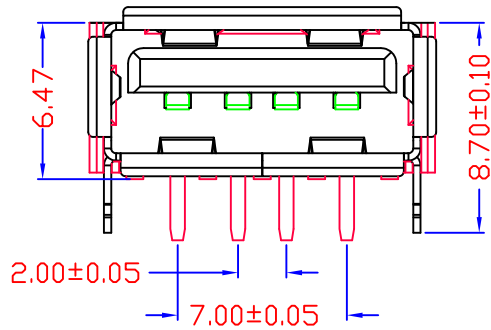
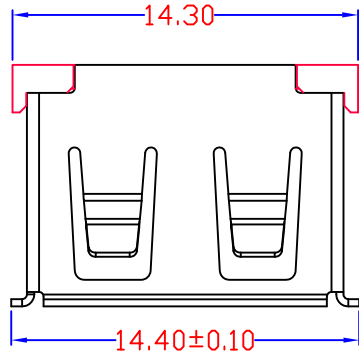


D款, 正向10.0四脚, DIP-\*6.50

MAPX	MODIFICATION	DATE



NOTES:

- 1.HOUSING: SEE NOTES, UL94V-0 .
- TERMINAL: SEE NOTES.
- SHELL: SEE NOTES.

SPECIFICATION:

- 1.ELECTRICAL CHARACTERISTIC:
  - CONTACT RESISTANCE: 30mΩ MAX
  - DIELECTRIC WITHSTANDING VOLTAGE: 500V AC FOR 1MIN
  - INSULATION RESISTANCE: 1000MΩ MIN
- 2.MECHANICAL CHARACTERISTIC:
  - INSERTION FORCE: 35N(3.57KGF) MAX
  - EXTRACTION FORCE: 10~35N(1.02~3.57KGF)MIN
  - DURABILITY: 1500 CYCLES EXTRACTION FORCE:10~35N  
5000 CYCLES MIN  
5000 CYCLES EXTRACTION

FORCE: 3~35N

3.ENVIRONMENTAL:

OPERATING TEMPERATURE: -55℃+85℃

4.Contact finish:

- 01: Selective Gold Flash
- 02: Selective Gold 3U"
- 03: Selective Gold 5U"
- 04: Selective Gold 15U"
- 05: Selective Gold 30U"

产品图 PRODUCT CHART DWG				单位 UNITS		MM	制图 DRAWING	Z-Y-B	制图料号 PRODUCT PART NO.	JTJ-USB-10.6-001
公差一览表 TOLERANCE UNLESS OTHERWISE				比例 SCALE		1:1	审核 CHKD		产品名称 PRODUCT NAME	USB A/F 10.6有边四脚鱼叉(方弹)
X.	±0.25	X.	±5.°	日期 DATE		2012.09.24	核准 APPD		角法 VIEW	版本 VER
.X	±0.20	.X	±2.°						⊕	AD
.XX	±0.15	.XX	±1.°							
.XXX	±0.10	.XXX	±0.5°							