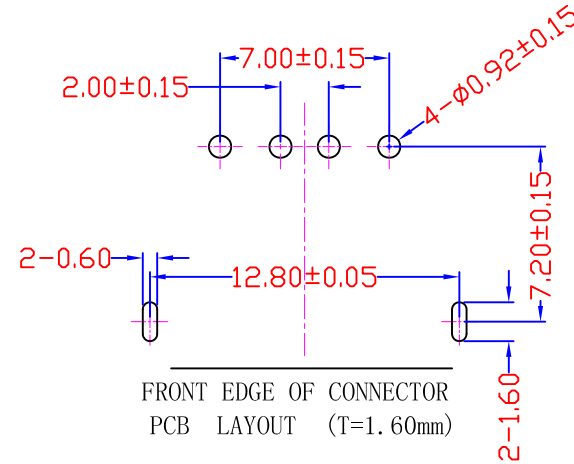
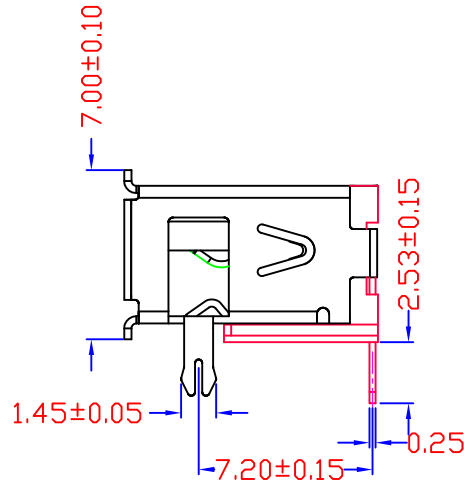
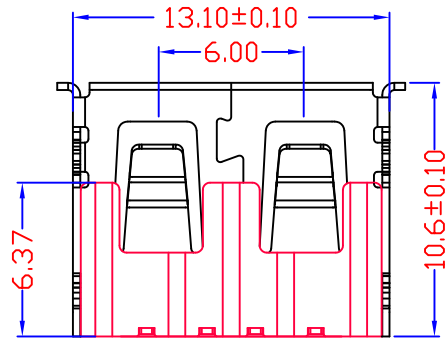
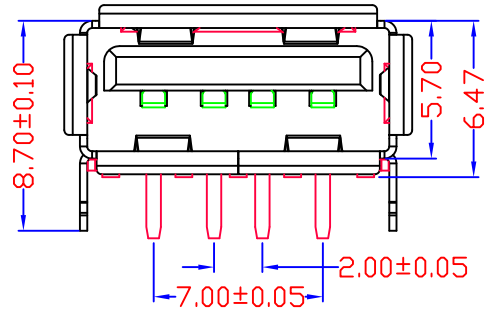
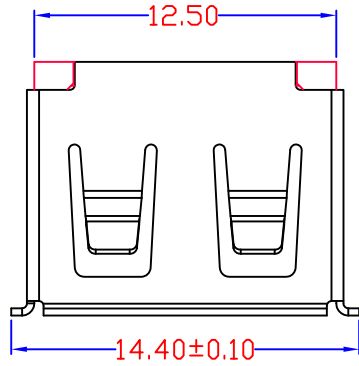


D款, 正向10.6前两脚, DIP-*6.50

MAPX	MODIFICATION	DATE



NOTES:

- HOUSING: SEE NOTES, UL94V-0 .
- TERMINAL: SEE NOTES.
- SHELL: SEE NOTES.

SPECIFICATION:

1. ELECTRICAL CHARACTERISTIC:

- CONTACT RESISTANCE: 30MΩ MAX
- DIELECTRIC WITHSTANDING VOLTAGE: 500V AC FOR 1MIN
- INSULATION RESISTANCE: 1000MΩ MIN

2. MECHANICAL CHARACTERISTIC:

- INSERTION FORCE: 35N(3.57KGF) MAX
- EXTRACTION FORCE: 10~35N(1.02~3.57KGF)MIN
- DURABILITY: 1500 CYCLES EXTRACTION FORCE:10~35N
5000 CYCLES EXTRACTION FORCE:3~35N

3. ENVIRONMENTAL:

- OPERATING TEMPERATURE: -55°C+85°C

4. Contact finish:

- 01:Selective Gold Flash
- 02:Selective Gold 3U"
- 03:Selective Gold 5U"
- 04:Selective Gold 15U"
- 05:Selective Gold 30U"

产品图 PRODUCT CHART DWG				公差一览表 TOLERANCE UNLESS OTHERWISE					
X.	±0.15	X.	±5.°	单位 UNITS	MM	制图 DRAWING	Z-Y-B	制图料号 PRODUCT PART NO.	JTJ-USB-10.6-001
.X	±0.10	.X	±2.°	比例 SCALE	1:1	审核 CHKD		产品名称 PRODUCT NAME	USB A/F 10.6有边前两脚鱼叉(方弹)
.XX	±0.05	.XX	±1.°	日期 DATE	2012.09.24	核准 APPD		角法 VIEW	版本 VER
.XXX	±0.03	.XXX	±0.5°						AD