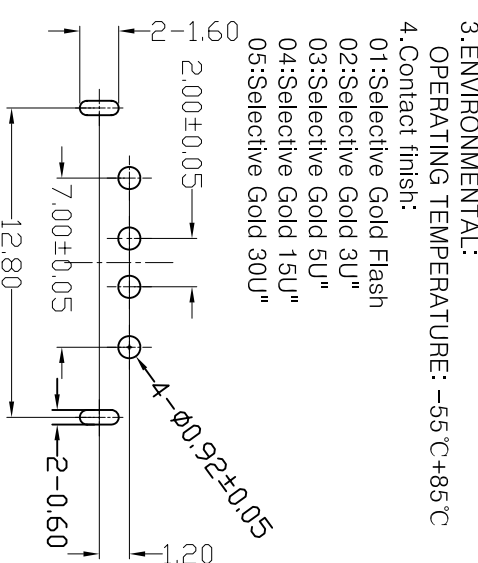
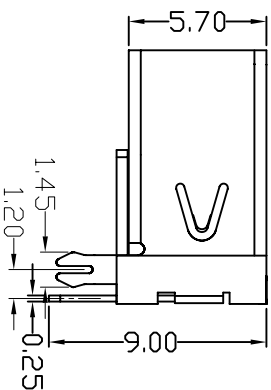
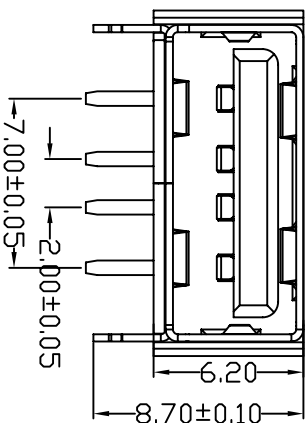
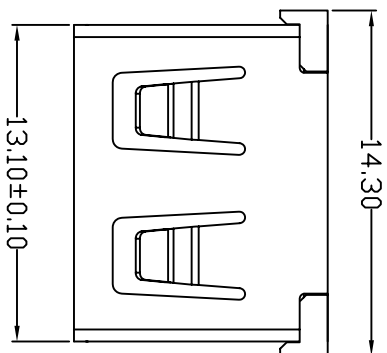
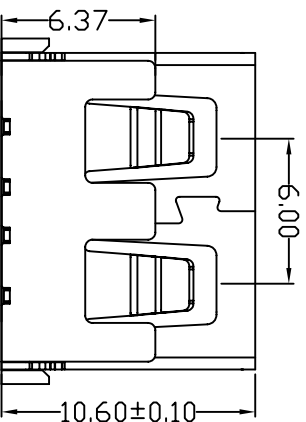


D款, 正向10.6后两脚, DIP-*6.20



FRONT EDGE OF CONNECTOR
PCB LAYOUT (T=1.60mm)



MAPX	MODIFICATION	DATE
------	--------------	------

NOTES:
1. HOUSING: SEE NOTES, UL94V-0.
TERMINAL: SEE NOTES.
SHELL: SEE NOTES.

SPECIFICATION:
1. ELECTRICAL CHARACTERISTIC:
CONTACT RESISTANCE: 30MΩ MAX
DIELECTRIC WITHSTANDING VOLTAGE: 500V AC FOR 1MIN
INSULATION RESISTANCE: 1000MΩ MIN
2. MECHANICAL CHARACTERISTIC:
INSERTION FORCE: 35N(3.57KGF) MAX
EXTRACTION FORCE: 10~35N(1.02~3.57KGF)/MIN
DURABILITY: 1500 CYCLES EXTRACTION FORCE: 10~35N
5000 CYCLES MIN

3. ENVIRONMENTAL:
OPERATING TEMPERATURE: -55°C+85°C

4. Contact finish:
01: Selective Gold Flash
02: Selective Gold 3U"
03: Selective Gold 5U"
04: Selective Gold 15U"
05: Selective Gold 30U"

产品图

PRODUCT CHART DWG

公差一览表

TOLERANCE UNLESS OTHERWISE	公差
X	±0.15
X	±0.10
XX	±0.05
XXX	±0.03
X	±5°
X	±2°
XX	±1°
XXX	±0.5°

单位	MM	制图	Z-Y-B	制图料号	PRODUCT PART NO.
比例	1:1	审核		产品名称	USB A/F 10.6后两脚鱼叉(方弹)
日期	2012/09/24	核准		角法	
DATE		APPD		版本	AD

1 2 3 4 5 6 7 8 9 10