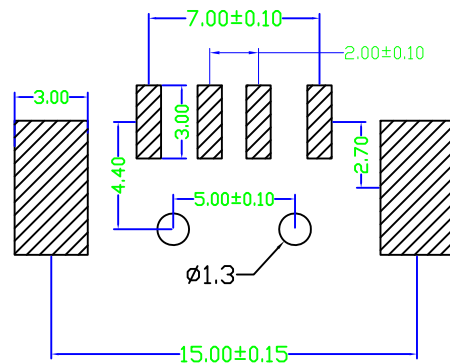
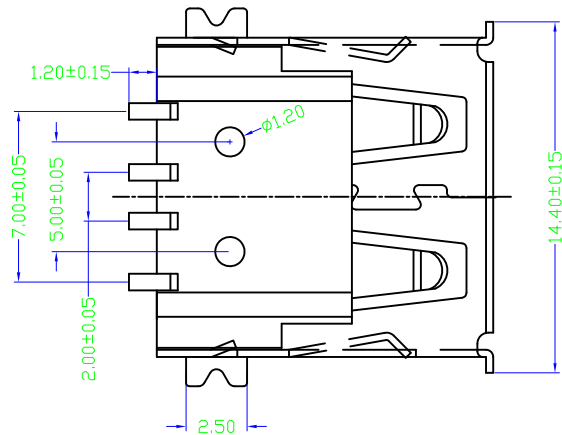
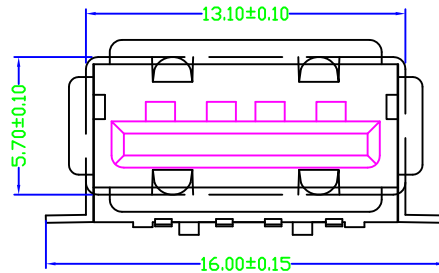
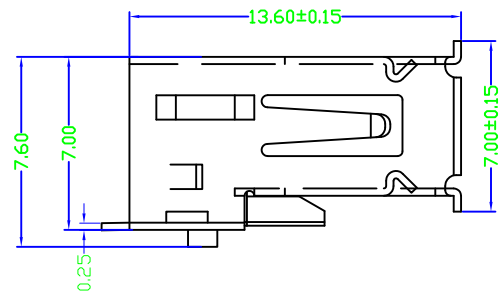


目錄 MAPX	設變內容 MODIFICATION	日期 DATE
△	側彈變更	2013. 3. 10



PCB LAYOUT

NOTES:

- Housing: Thermoplastics
- Contact: Copper Alloy
- Shell: Copper Alloy/Steel
- Voltage Current Rating: 1.5 AMP. 30V AC
- Insulation Resistance: 1000M Ω Min.
- Contact Resistance: 30 M Ω Max.
- Dielectric Withstanding Voltage: 500V AC
- Temperature Range: -35°C to +85°C
- Insulator color: Black/White
- Plastic material: PBT/LCP/Others
- Shell finish: Nickel plated/Tin-Lead plated
- Mechanical:
 - Mating Force: 3.5KG MAX
 - Unmating Force: 0.7 KG MIN.
 - Contact finish:
 - 01: Selective Gold Flash
 - 02: Selective Gold 3U"
 - 03: Selective Gold 5U"
 - 04: Selective Gold 15U"
 - 05: Selective Gold 30U"

备注：侧弹分为外弹与内弹

产品图 PRODUCT CHART DWG											
公差一览表 TOLERANCE UNLESS OTHERWISE				单位 UNITS	MM	制图 DRAWING	Z-Y-B	产品料号 PRODUCT PART NO.			
X.	±0.25	X'	±5°	比例 SCALE	1:1	审核 CHKD		产品名称 PRODUCT NO.	C42603		
.XX	±0.15	.XX'	±1°								
.XXX	±0.10	.XXX'	±0.5°	日期 DATE	2014. 10. 20	核准 APPD		角法 VIEW		版本 VER	A0