

Fig.1. MEASURING METHOD

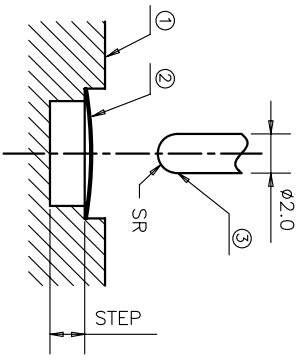


Fig.2. OPERATING PERFORMANCE

NOTES:
 1. ALL THE OPERATING PERFORMANCE SPEC. IN BELLOW TABLE SHOULD BE MET. THE MEASURE METHOD IS SHOWN AS FIG.1.
 OPERATE THE DOME 10 TIMES BEFORE MEASURING.

REV	ECON NO.	APPD
A	HC060009	ZO
B	HC060033	ZO
C	HC100168	ZO
D	HC110001	ZO
E	HC140005	ZO
F	HC160002	ZO

F_p : PEAK FORCE
 F_r : RETURN FORCE
 T1: CONTACT POINT
 T2: BUTTON POINT
 $C/R = (F_p - F_r) / F_p * 100\%$
 REMARK:
 1. T2 TESTED WHEN THE SETP IS DEEP ENOUGH TO NOT CONTACT WITH DOME DURING MEASURING.
 2. $T1 < T2$

- 1) TEST SPEED : 120 SPM
- 2) TEST FORCE : F_p
- 3) MATERIAL : ALUMINIUM.
2. OBVIOUS BURR, SCRATCHES, CRACKES IS FORBIDDEN.
3. DIMENSIONS MARKED ∇ SHOULD BE CHECKED BY O.C. AND P.E.
4. DIMENSIONING SHALL BE INTERPRETED PER ANSI Y14.5M-1982.
5. HARMFUL MATERIAL CONTROL PLEASE FOLLOW DOC."HY-QW-02"
6. PART PERFORMANCE TABLE ∇

PART NAME	D	H	P.F(gf)	C/R(%)
600-5***-****	$\phi 5^{+0.05}$	0.25 \pm 0.05	CP \pm 15	C/R \pm 10
600-C***-****	$\phi 4.5^{+0.05}$	0.22 \pm 0.05	CP \pm 15	C/R \pm 10
600-4***-****	$\phi 4^{+0.05}$	0.2 \pm 0.05	CP \pm 15	C/R \pm 10
600-B***-****	$\phi 3.5^{+0.05}$	0.18 \pm 0.05	CP \pm 15	C/R \pm 10
600-3***-****	$\phi 3^{+0.05}$	0.16 \pm 0.05	CP \pm 15	C/R \pm 10
600-L***-****	$\phi 2.92^{+0.02}$	0.15 \pm 0.05	CP \pm 15	C/R \pm 10
600-J***-****	$\phi 2.9^{+0.05}$	0.15 \pm 0.05	CP \pm 15	C/R \pm 10
600-K***-****	$\phi 2.85^{+0.02}$	0.15 \pm 0.05	CP \pm 15	C/R \pm 10
600-A***-****	$\phi 2.5^{+0.05}$	0.15 \pm 0.05	CP \pm 15	C/R \pm 10
600-D***-****	$\phi 2.2^{+0.05}$	0.15 \pm 0.05	CP \pm 15	C/R \pm 10
600-2***-****	$\phi 2.0^{+0.05}$	0.15 \pm 0.05	CP \pm 15	C/R \pm 10

TYPE:	DIMPLE:	D:	C/R:	STEP:	MATERIAL:	CP:
6 6 1 1 1 1 1 1	0 1 3 4 5	2= $\phi 2.0$ mm 3= $\phi 3.0$ mm 4= $\phi 4.0$ mm 5= $\phi 5.0$ mm 6= $\phi 6.0$ mm A= $\phi 2.5$ mm B= $\phi 3.5$ mm C= $\phi 4.5$ mm D= $\phi 2.2$ mm	0=60% 1=65% 2=55% 3=45% 4=35% 5=25% 6=15%	0=0.00mm 1=0.01mm 2=0.02mm 3=0.03mm 4=0.04mm 5=0.05mm 6=0.06mm 7=0.07mm 8=0.08mm 9=0.09mm A=0.10mm	0=NI-SUS 1=AG-SUS 2=PB 3=BECU	060=060gf 080=080gf 100=100gf 130=130gf 160=160gf 180=180gf 200=200gf 250=250gf

X \pm 0.2	X' \pm 3'	UNITS	MM	NAME(INTENDED USE)	HON YUAN
.X \pm 0.1	X' \pm 2'	MAT'L		METAL DOME FOR TACT SWITCH	HON YUAN PRECISION IND. CO.,LTD. SHENZHEN, CHINA, R.O.C.
.XX \pm 0.05	.XX' \pm 1'	FINISH		PART NO.(INTENDED USE)	TITLE: DOME CUSTOMER DRAWING
.XXX \pm 0.03	.XXX' \pm 0.5'			APPD: ZO 3/18/2014	DWG NO.: 600-0000-000
THESE DIMENSIONS AND SPECIFICATIONS ARE THE PROPERTY OF HON YUAN PRECISION IND. CO., LTD. AND SHALL NOT BE REPRODUCED, COPIED OR USED IN ANY MANNER WITHOUT THE PRIOR WRITTEN CONSENT OF HON YUAN PRECISION IND. CO., LTD.				CHKD: M.H.LI 3/18/2014	SCALE SHEET REV.
				DR: WP.LU 3/18/2014	1/1 1/5 F