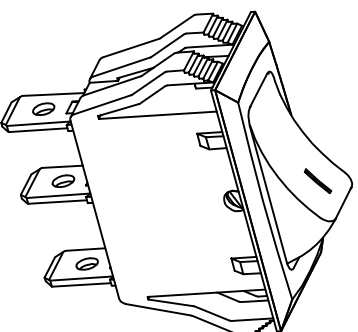
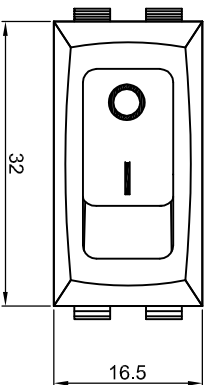




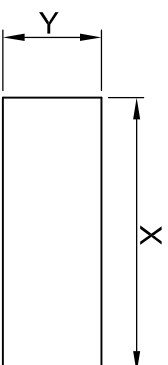
R-2

受控文件

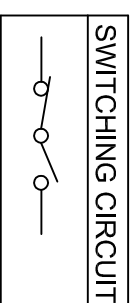
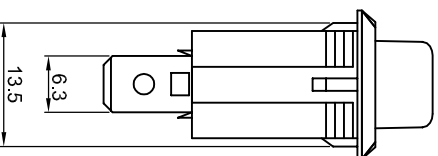
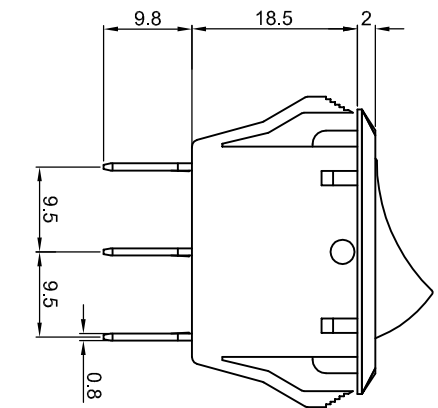


Rating: 16A 125/250VAC (UL CUL)
 16 (4) A 250V AC (VDE ENEC CB CQC)
 Contact Resistance: 50m Ω (Max)
 Insulation Resistance: DC 500V 100M Ω (Min)
 Dielectric Strength: AC1500V 1 minute
 Electrical life: 10,000 cycles
 Operating Temperature: 0℃~85℃
 Safety Approval:

CUT-OUT



	X	Y
	28.6-0.1	13.8+0.1
0.75~1.25	28.8-0.1	13.8+0.1
1.25~2.00	29.2-0.1	13.8+0.1
2.00~3.00		



MATERIAL:
 Body:Nylon66, UL rated:94V-2 min
 Actuator:Nylon66, UL rated:94V-2 min
 Terminal:Brass,silver or tin plated

公差 TOLERANCES .X± 0.3 .XX± 0.15

角度 ANGLE ± 1°

单位 DIMENSION UNIT mm.

Marking	柄								
	X	0	1	2	3	4	5	7	
		None							

版本 VER.	变更说明 CHANGE DESCRIPTION	日期 DATE	ECN NO.	批准 APPROVED BY	核对 CHECKED BY	日期 DATE	绘图 DRAWN BY	品名 TITLE	图号 DRAWING NO
A1	重新整理发行	2009.09.19	N/A	李新超	李伟奇	2008.04.16	黄雄阳	R-2-120-CXN-BB	R-2-120-CXN-BB_A1
A0	新发行	2008.04.16	N/A	李新超	李伟奇	2008.04.16	黄雄阳	R-2-120-CXN-BB	R-2-120-CXN-BB_A1