

PRODUCT NO.	DSPV02LSGET
RoHS compliant	

REV.	ECN NO.	DR	DATE

REV.	ECN NO.	DR	DATE

NOTES : 1 Specification:

- 1>.Operating force:10000gf Max
- 2>.Operating Temperature: -40° to+85°
- 3>.Storage Temperature: -40° to+85°
- 4>.Mechanical Life:3000cycles minimum
- 5>Electrical Life:2000cycles minimum

2. PLATING:

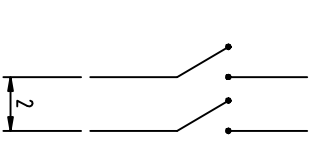
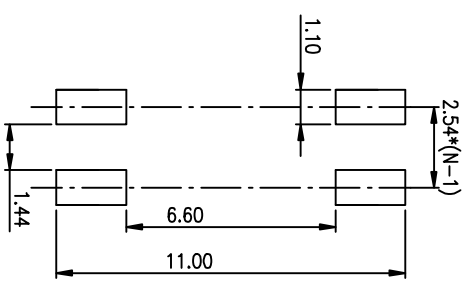
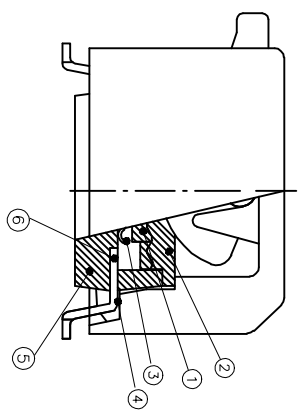
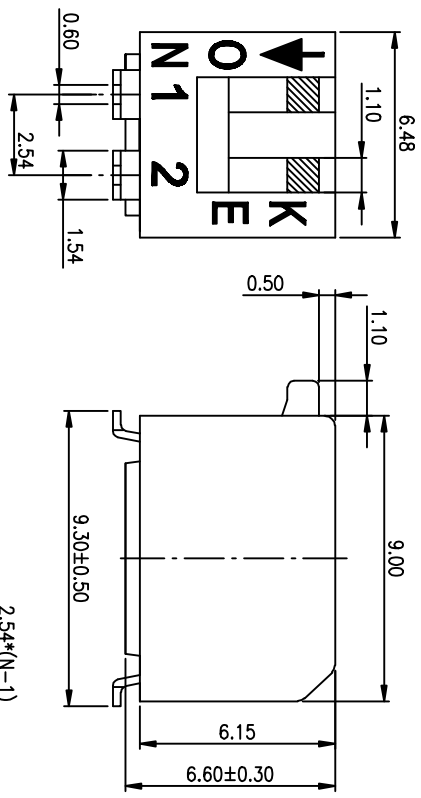
GOLD FLASH 1u”(min.) SOLDER TAIL,  
3u” GOLD PLATING ON THE CONTACT AREA,  
WITH 50u” NICKEL UNDERPLATINGOVERALL.

3. CONTACT RATING:

- 1.SWITCHING:25mA at 24VDC
- 2.NON-SWITCHING:100mA at 50VDC
- WITH 50u” NICKEL UNDERPLATINGOVERALL.

4. PART NUMBER DESCRIPTION :

DS XX I S G E T  
 [Packing:T=Tube R=Reel]  
 [Finish:E=3u” Gold-plated F=10u” Gold-plated]  
 [Finish: G=Full Gold S=Contact-Gold-plated ]  
 [Terminal:S=SMD type H=Straight..... ]  
 [Actuator:T=Tape sealed S=Low profile W/O Tape L=Extension]  
 [HP=Half-Pitch IC=IC type PV=Plano type]



RECOMMENDED P.C.B. LAYOUT (TOP VIEW)

Number	Part Name	Material	Finished
①	Actuator	UL94 V0	White
②	Cover	UL94 V0	Black
③	Movable	Copper Alloy	3u” Gold
④	Terminal	Brass	1u” Gold
⑤	Base	UL94 V0	Black
⑥	Terminal Contact	Brass	3u” Gold

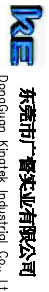
TOLERANCE UNLESS OTHERWISE SPECIFIED	ANGLES	PROJECTION
0 ± 0.25	0 ± 2°	
.00 ± 0.15	.0 ± 1°	
.000± 0.10	.00± 0.5°	

DESIGN	kathy	03/20/12
DRAWING		
CHECK		
APPRO.		

FILE NO.	DSPV02LSGET-A
SIZE	UNIT SCALE SHEET REV.
A4	mm 2 : 1 TOP 1 A



东莞市 Kingtek 实业有限公司  
Dongguan Kingtek Industrial Co., Ltd.

TITLE  
BY DSPV SERIES PITCH 2.54mm

PRODUCT FAMILY DSPV SERIES  
PRAT NO. DSPV02LSGET