

# 規格承認書

SPECIFICATION FOR APPROVAL

客戶

CUSTOMER : 立創

項目

ITEM : 电磁式蜂鸣器(外部驱动式)

型號

TYPE : BL-PBZ12065C2005YB

客戶料號

CUSTOMER NO.:

規格書號

SPECIFICATION NO.:

版本

EDITION NO. : 1.1

日期

DATE : 2018-7-20

## 客戶認可

CUSTOMER'S APPROVED SIGNATURE

--	--	--

### 東莞市博林電子有限公司

DONGGUAN BOLIN ELECTRONICS CO.,LTD

<http://www.bolin.com.hk>

地址：廣東省東莞市長安鎮鑫伟润高科技产业园

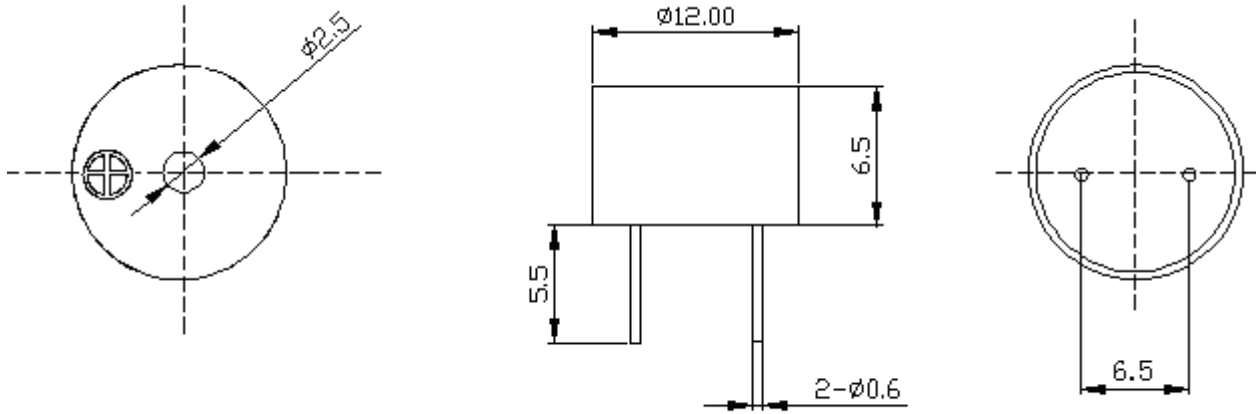
Address: XinWeiRun high tech Industrial Park , Chang'an Town, DongGuan City,GuangDong Province,China

電話專線/TEL:0769- 81871887 傳真/FAX:0769-81769981

確認 APPROVED BY	審查 CHECKED BY	製作 ISSUED BY
	石磊	zhang

# DONGGUAN BOLIN ELECTRONICS CO.,LTD

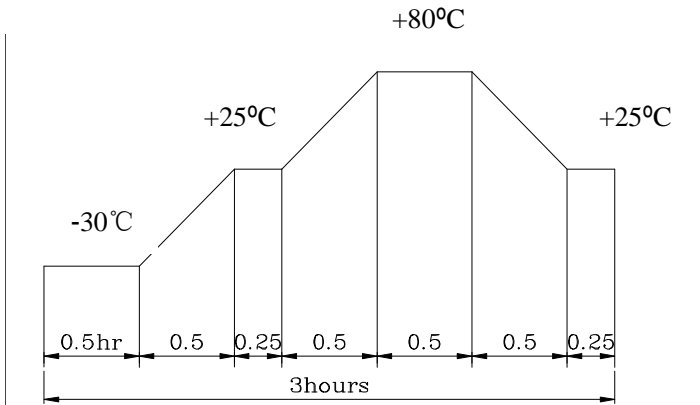
DIMENSIONS Unit:mm Tolerance:  $\pm 0.5$



## SPECIFICATIONS

Model NO	BL-PBZ12065C2005YB
Rated Voltage	5Vo-p
Operating Voltage	3.0~6.0Vo-p
Rated Current 5Vo-p/2400Hz	Max.50mA
Coil Resistance	$42 \pm 6 \Omega$
Sound Pressure level(dB)at5Vo-p/2400Hz/10cm	Min.85dB
Resonant Frequency	2048Hz
Operating Temperature	-20 °C ~+70 °C
Storage Temperature	-30 °C ~+80 °C

备注：建议蜂鸣器工作电流：43~46mA 左右

NO.	ITEM	TEST CONDITION AND REQUIREMENT
1	High Temperature Test (Storage)	After being placed in a chamber with $80 \pm 2^\circ\text{C}$ for 48 hours and then being placed in normal condition for 2 hours. Allowable variation of SPL after test: $\pm 10\text{dB}$ .
2	Low Temperature Test (Storage)	After being Placed in a chamber with $-30 \pm 2^\circ\text{C}$ for 48 hours and then being placed in normal condition for 2 hours. Allowable variation of SPL after test: $\pm 10\text{dB}$ .
3	Humidity Test	After being Placed in a chamber with 80-85% R.H. at $40 \pm 2^\circ\text{C}$ for 48 hours and then being placed in normal condition for 2 hours. Allowable variation of SPL after test: $\pm 10\text{dB}$ .
4	Temperature Cycle Test	<p>The part shall be subjected to 5 cycles. One cycle shall be consist of:</p>  <p style="text-align: center;">+80°C</p> <p style="text-align: center;">+25°C</p> <p style="text-align: center;">-30°C</p> <p style="text-align: center;">+25°C</p> <p style="text-align: center;">0.5hr 0.5 0.25 0.5 0.5 0.5 0.25</p> <p style="text-align: center;">3hours</p> <p>and then being placed in normal condition for 2 hours. Allowable variation of SPL after test: <math>\pm 10\text{dB}</math>.</p>
5	Solderability Test	Lead terminals are immersed in rosin for 3 seconds and then immersed in solder bath of $+320 \pm 10^\circ\text{C}$ for 3 seconds . 90% min. lead terminals shall be wet with solder (Except the edge of terminals).

**TEST CONDITION.**

Standard Test Condition	: a) Temperature : $+5 \sim +35^\circ\text{C}$	b) Humidity : 45-85%	c) Pressure : 860-1060mbar
一般测试条件	: a) 温度 : $+5 \sim +35^\circ\text{C}$	b) 湿度 : 45-85%	c) 气压 : 860-1060mbar
Judgment Test Condition	: a) Temperature : $+25 \pm 2^\circ\text{C}$	b) Humidity : 60-70%	c) Pressure 860-1060mbar
争议时测试条件	: a) 温度 : $+25 \pm 2^\circ\text{C}$	b) 湿度 : 60-70%	c) 气压 : 860-1060mbar