

SPECIFICATIONS

CONTACT RATING: Dependent upon contact material

MECHANICAL LIFE: 40,000 make-and-break cycles.

CONTACT RESISTANCE: 10mΩ max. initial @ 2-4VDC
100mA for both silver and gold plated contacts.

INSULATION RESISTANCE: 1,000 MΩ min.

DIELECTRIC STRENGTH: 1,000 Vrms min. @ sea level.

OPERATING TEMPERATURE: -40°C to 85°C.

MATERIALS

CASE: Diallyl phthalate (DAP) (UL94v-0).

ACTUATOR: Brass, chrome plated.

BUSHING: Brass, nickel plated.

HOUSING: Stainless steel.

SWITCH SUPPORT: Brass, tin plated.

CONTACT / TERMINALS: Copper alloy, Silver or gold plated.



HOW TO ORDER

MODEL NO.	ACTUATOR	BUSHING	TERMINATIONS	TERMINAL PLATING	SEAL	RoHS SOLDERING
Model NO.	Actuator		Terminations	Terminal plating	Seal	RoHS soldering
1MS1	SP On-None-On	T1	M1	Q	E	S
1MS2	SP On-None-Mom	T2	M2	R	N	
1MS3	SP On-Off-On	T3	M3	C		
1MS4	SP Mom-Off-Mom	T4	M51			
1MS5	SP On-Off-Mom	T5	M52			
1MD1	DP On-None-On	T6	M53			
1MD2	DP On-None-Mom	T61	M54			
1MD3	DP On-Off -On	T62	M6			
1MD4	DP Mom-Off-Mom	T63	M6N			
1MD5	DP On-Off-Mom	T7	M7			
1MD6	DP On-On-On	T8	VS2			
1MD7	DP Mom-On-Mom	T88	V2N			
1MD8	DP On-On-Mom	T9	VS3			
1M31	3P On-None-On	TL1	VS4			
1M32	3P On-None-Mom	TL2	VS5			
1M33	3P On-Off-On	TL3	B1			
1M34	3P Mom-Off-Mom.		B2			
1M35	3P On-Off-Mom		B3			
1M41	4P On-None-On		B4			
1M42	4P On-None-Mom		B5			
1M43	4P On-Off-On		B6			
1M44	4P Mom-Off-Mom		B7			
1M45	4P On-Off-Mom		B8			
1M46	4P On-On-On		B9			
1M47	4P Mom-On-Mom		B11			
1M48	4P On-On-Mom		B12			
			B13			
			B14			
			B15			
			B16			
			B17			
			B18			
			B20			
			B25			
			B26			
			B52			

1M Series

Miniature Toggle Switches

SWITCH FUNCTION

NO. POLES	UL/CSA MODEL NO.	MODEL NO.	SWITCH FUNCTION			CONNECTED TERMINALS / SCHEMATIC		
			POS.1	POS.2	POS.3	POS.1	POS.2	POS.3
SP	Q1111	1MS1	ON	NONE	ON	2-3	N/A	2-1
	Q1112	1MS2	ON	NONE	MOM			
	Q1113	1MS3	ON	OFF	ON			
	Q1114	1MS4	MOM	OFF	MOM			
	Q1115	1MS5	ON	OFF	MOM			
DP	Q1121	1MD1	ON	NONE	ON	2-3,5-6	N/A	2-1,5-4
	Q1122	1MD2	ON	NONE	MOM			
	Q1123	1MD3	ON	OFF	ON			
	Q1124	1MD4	MOM	OFF	MOM			
	Q1125	1MD5	ON	OFF	MOM	2-3,5-6	2-3,5-4	2-1,5-4
	Q1126	1MD6	ON	ON	ON			
	▲ Q1127	1MD7	MOM	ON	MOM			
	▲ Q1128	1MD8	ON	ON	MOM			
3P	Q1131	1M31	ON	NONE	ON	2-3,5-6,8-9	N/A	2-1,5-4,8-7
	Q1132	1M32	ON	NONE	MOM			
	Q1133	1M33	ON	OFF	ON			
	Q1134	1M34	MOM	OFF	MOM			
	Q1135	1M35	ON	OFF	MOM			
4P	Q1141	1M41	ON	NONE	ON	2-3,5-6,8-9,11-12	N/A	2-1,5-4,8-7,11-10
	Q1142	1M42	ON	NONE	MOM			
	Q1143	1M43	ON	OFF	ON			
	Q1144	1M44	MOM	OFF	MOM			
	Q1145	1M45	ON	OFF	MOM	2-3,5-6,8-9,11-12	2-3,5-4,8-9,11-10	2-1,5-4,8-7,11-10
	Q1146	1M46	ON	ON	ON			
	▲ Q1147	1M47	MOM	ON	MOM			
	▲ Q1148	1M48	ON	ON	MOM			

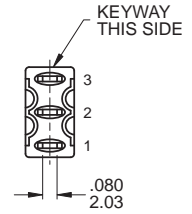
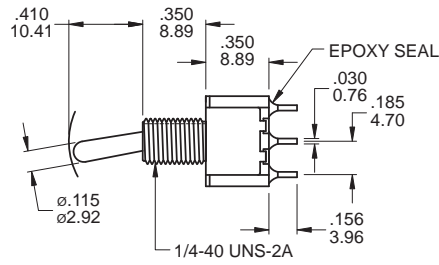
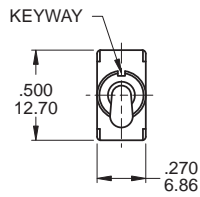
MOM= MOMENTARY

▲ Please check the availability in advance before order



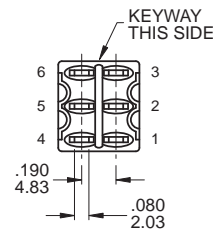
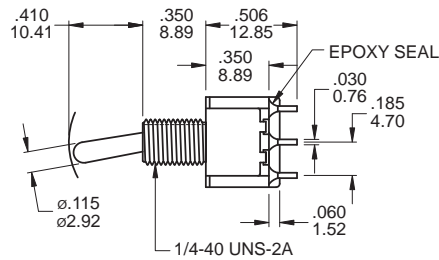
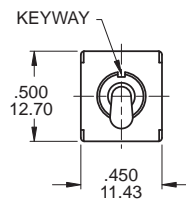
1M
Toggle Switches

POLE OPTIONS



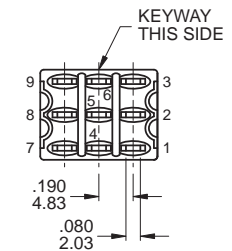
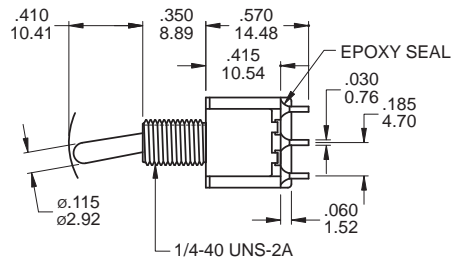
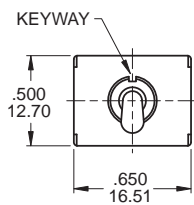
SPDT

Part No. Shown : 1MS1T1B1M1QES



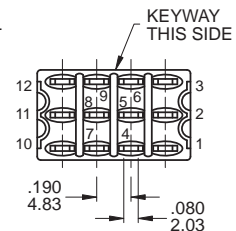
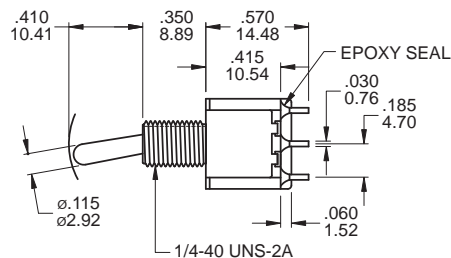
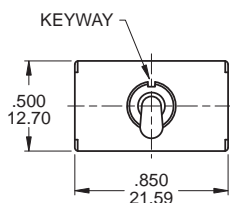
DPDT

Part No. Shown : 1MD1T1B1M1QES



3PDT

Part No. Shown : 1M31T1B1M1QES



4PDT

Part No. Shown : 1M41T1B1M1QES



1M
Toggle Switches

1M Series

Miniature Toggle Switches

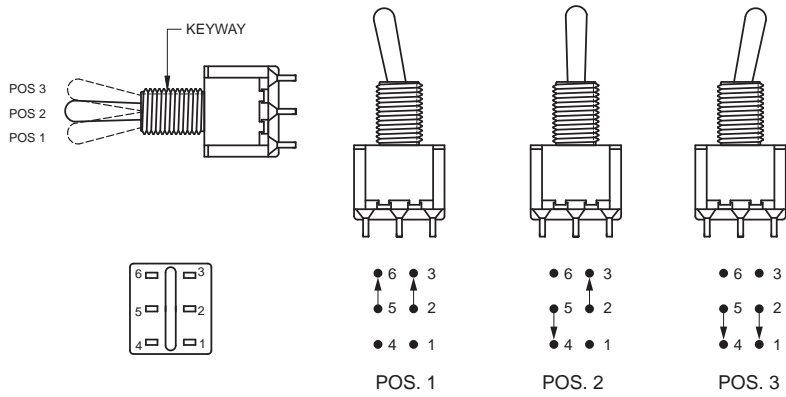
3-WAY SWITCH

3-Way Wiring Diagram Schematics

1M Toggle Switches

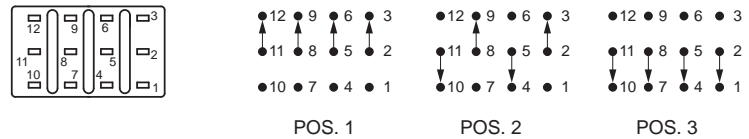
SINGLE POLE, 3 POSITION

Model No.	POS 1	POS 2	POS 3
1MD6	ON	ON	ON
Term. Comm.	2-3,5-6	2-3,5-4	2-1,5-4



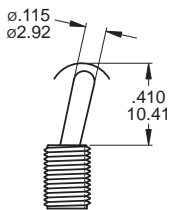
DOUBLE POLE, 3 POSITION

Model No.	POS 1	POS 2	POS 3
1M46	ON	ON	ON
Term. Comm.	2-3,5-6 8-9,11-12	2-3,5-4 8-9,11-10	2-1,5-4 8-7,11-10

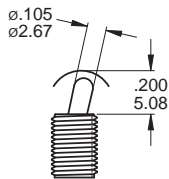


ACTUATOR OPTIONS

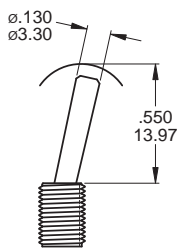
T1 STD



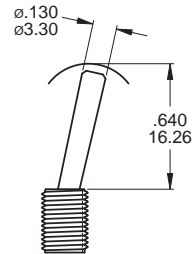
T2



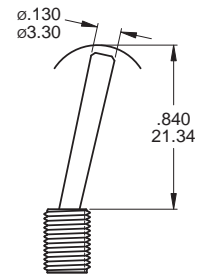
T3



T4



T5



NOTE : T1 ~ T5 Actuator shown with standard B1 Bushing ;

Add .070 (1.78) for B3 Bushing ;

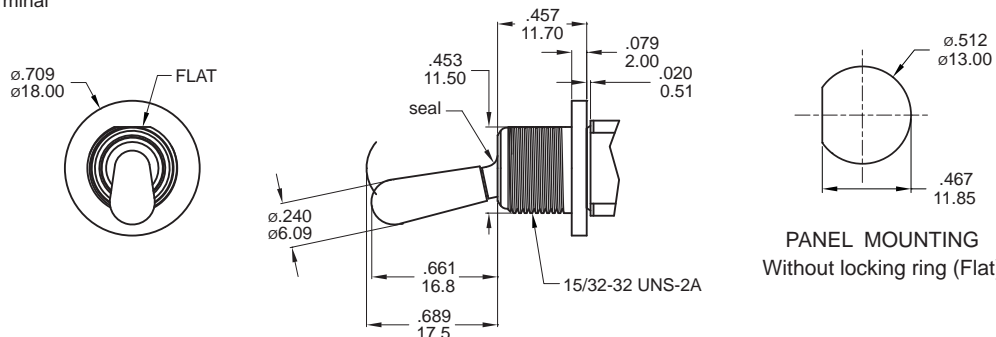
Subtract .020 (0.51) for B6 Bushing ;

Std for M1 , M2 Terminal sub .016 (0.40) for M6 , M7 , VSX (Exclude B1/B2 bushing)

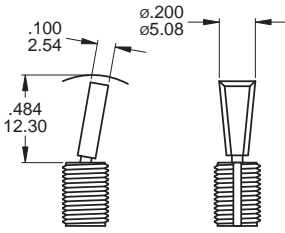
T88B52

SPLASH PROOF

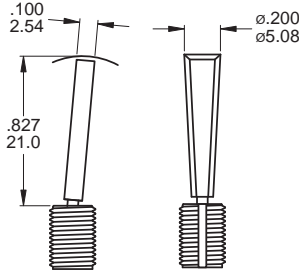
Std SPDT for M1.M2 Terminal



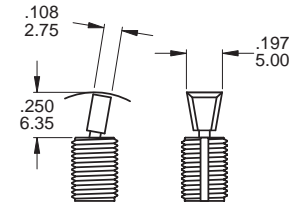
T6 FLATTED WITH ANTIROTATION



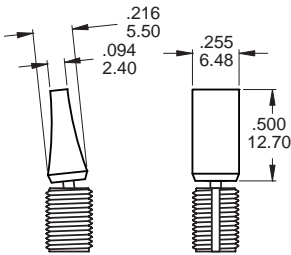
T61



T63



T62



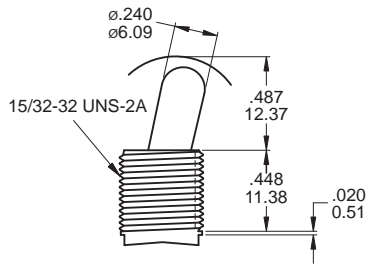
Plastic No.Color :

ITEM NO	COLOR
1	White
2	Black (Std)
3	Red
4	Orange
5	Yellow
6	Green
7	Blue
8	Brown
9	Gray

NOTE: T6,T61,T62 ,T63 use with B11, B12, B15, B16 bushing only.

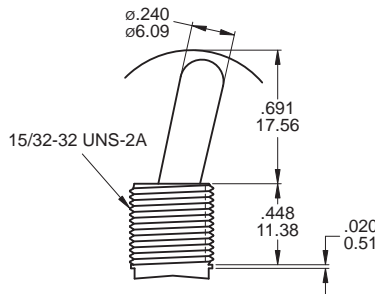
* Besides standard color, other colors need to check stocks available.

T7



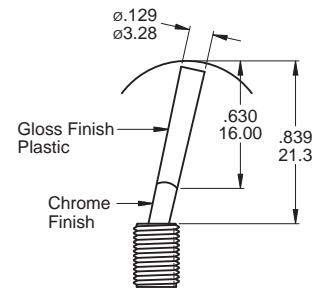
Use with B13 bushing
Use with B18,B20 the lever is antirotation and the size of lever is 13.00mm

T8



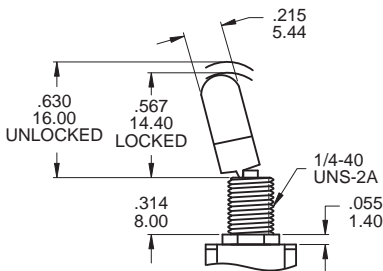
Use with B13 bushing
Use with B18,B20 the lever is antirotation and the size of lever is 18.00mm

T9

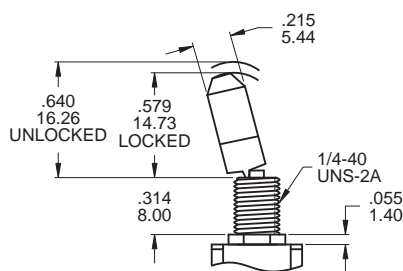


B1 / B2 bushing std with black(T92) and red(T93) color only(std.)

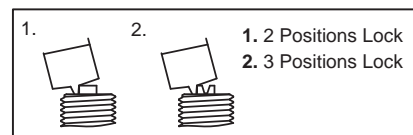
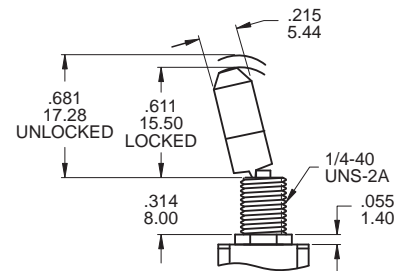
TL1B25 THD STD
B26 NON-THD



TL2B25 THD STD
B26 NON-THD



TL3B25 THD STD
B26 NON-THD



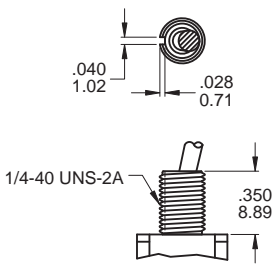
1M Series

Miniature Toggle Switches

BUSHING OPTIONS

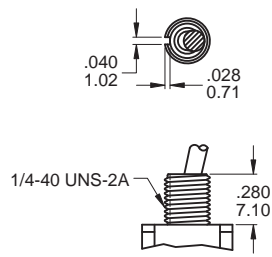
1M
Toggle Switches

B1 THD STD
B2 NON-THD



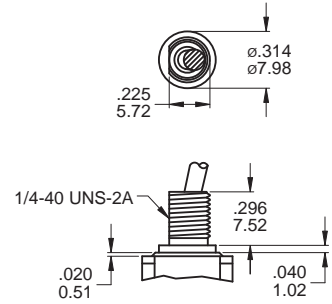
Subtract .016 (0.40) for M6, M7 and VS2-5 termination options.

B3 THD
B4 NON-THD

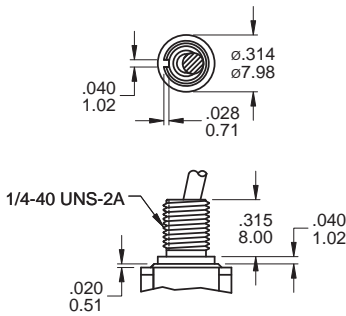


B4 is standard for M6, M7 and VS2-5 termination options.

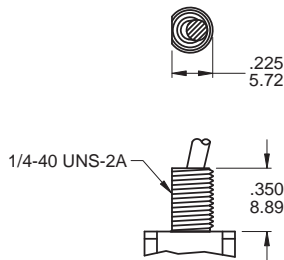
B5 HIGH TORQUE



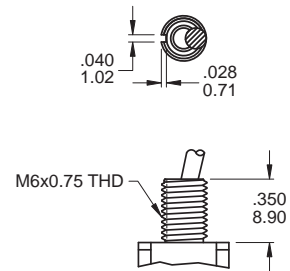
B6 HIGH TORQUE



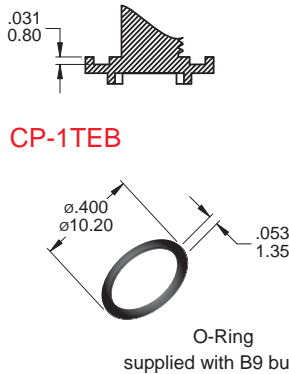
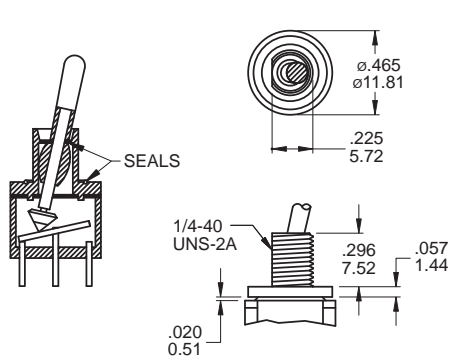
B7 THD STD



B8 METRIC THD



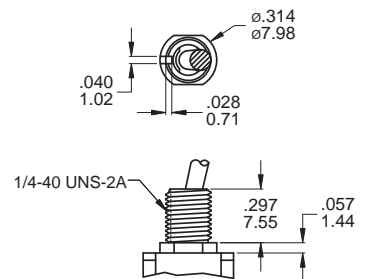
B9 SPLASH PROOF



CP-1TEB

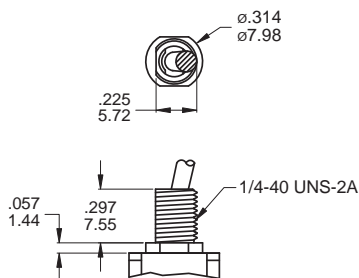
O-Ring
supplied with B9 bushing

B11 THD STD
B12 NON-THD



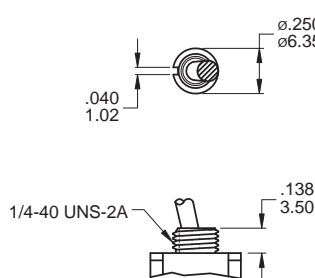
Use with T6 actuators only

B15 THD STD
B16 NON-THD

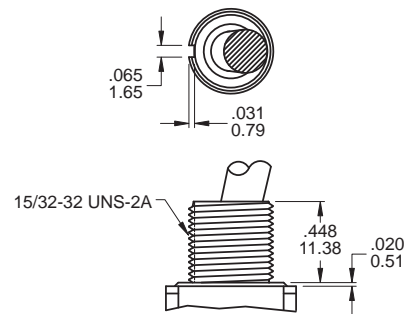


Use with T6 actuators only

B17

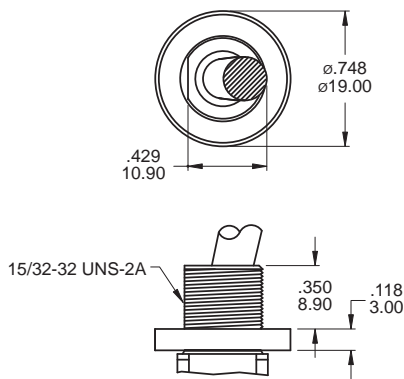


B13



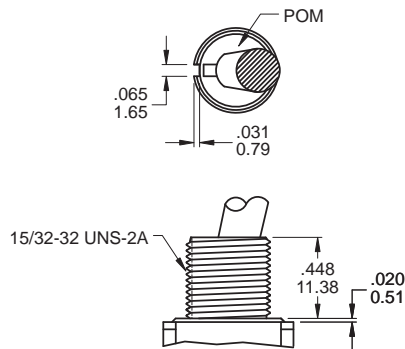
Use with T7, T8 actuators only
B13 Bear strength from top of actuator
up to 10kg aside up to 15kg

B14 SPLASH PROOF



Use with T7 , T8 actuators only

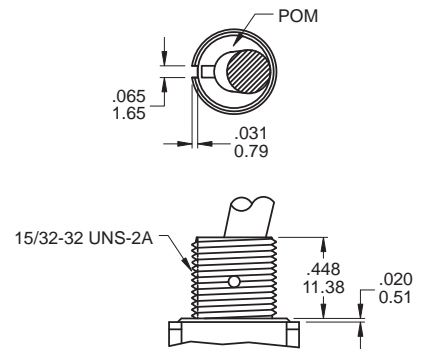
B18



Use with T7,T8 and TA actuators only with Plastic (POM) Insert

B18 , B20 Bear strength from top of actuator up to 20kg aside up to 15kg

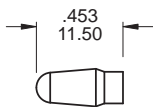
B20



Use with T7,T8 and TA actuators only with Plastic (POM) Insert

OPTIONAL TOGGLE CAP

CP-T1XX



Use with T1 actuator

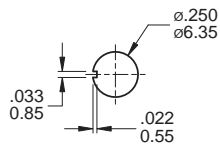
CAP Color :

ITEM NO	COLOR
1	White
2	Black (Std)
3	Red
5	Yellow
6	Green
7	Blue
9	Gray

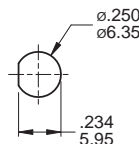
* Besides standard color, other colors need to check stocks available.

PANEL MOUNTING

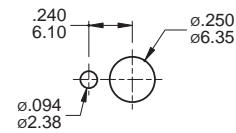
1/4 IN BUSHING



Without locking ring (Keyway)

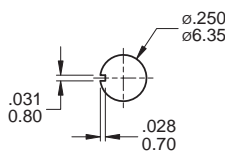


Without locking ring (Flat)

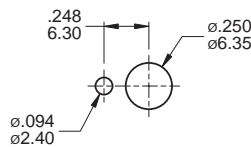


With standard locking ring.

METRIC BUSHING

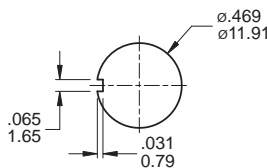


Without locking ring (Keyway)

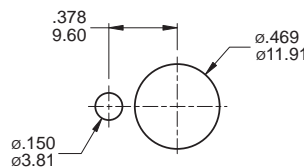


With standard locking ring.

15/32 IN BUSHING

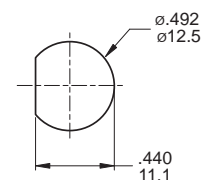


Without locking ring (Keyway)



With standard locking ring.

SPLASH PROOF BUSHING



Without locking ring (Flat)



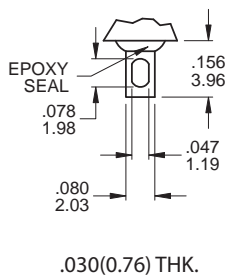
1M
Toggle Switches

1M Series

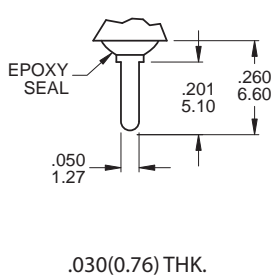
Miniature Toggle Switches

TERMINATION OPTIONS

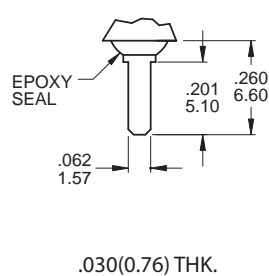
M1 Solder lug



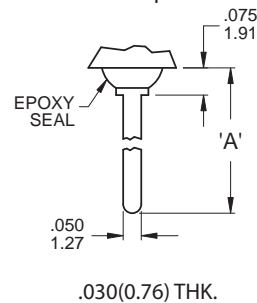
M2 PC Thru-hole



M3 Quick connect



M5 Wire Wrap



OTHER TERMINATION OPTIONS

M6 Right angle P.C. Mount

M7 Vertical right angle P.C. Mount

VS2 Vertical bracket P.C. Mount

VS3 Vertical bracket P.C. Mount

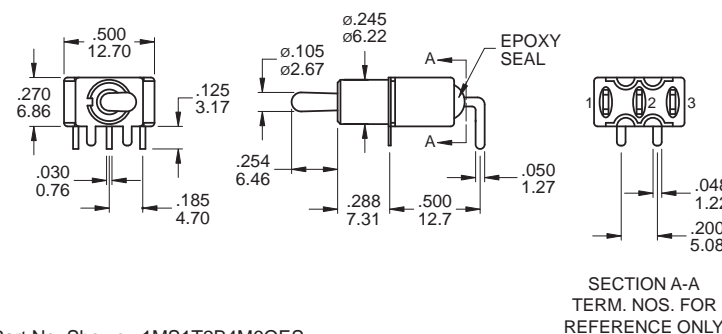
VS5 Vertical bracket P.C. Mount

M6N Right angle P.C. Mount with snap-in bracket

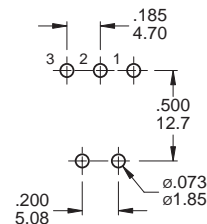
V2N Vertical bracket P.C. Mount with snap-in bracket

OPTION CODE	DIM. 'A'
M51	.736 (18.70)
M52	.953 (24.20)
M53	.415 (10.55)
M54	1.062 (26.97)

M6



P.C. MOUNTING

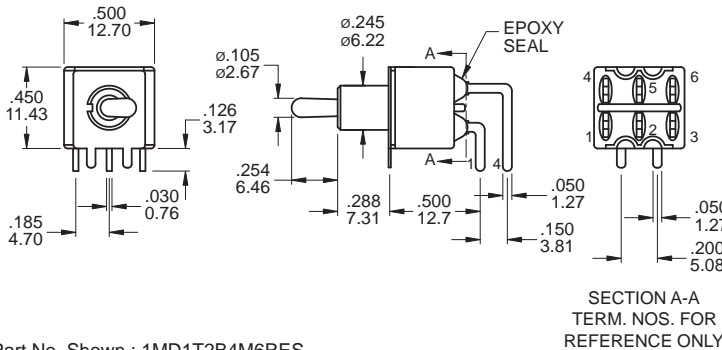


SPDT

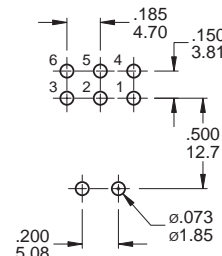
Part No. Shown : 1MS1T2B4M6QES

SECTION A-A
TERM. NOS. FOR
REFERENCE ONLY

M6



P.C. MOUNTING

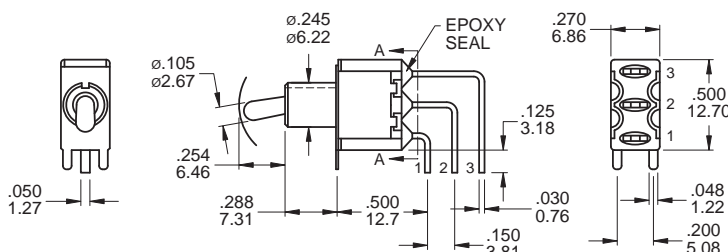


DPDT

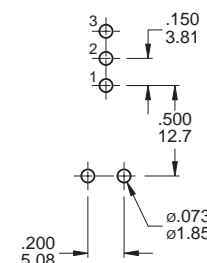
Part No. Shown : 1MD1T2B4M6RES

SECTION A-A
TERM. NOS. FOR
REFERENCE ONLY

M7



P.C. MOUNTING

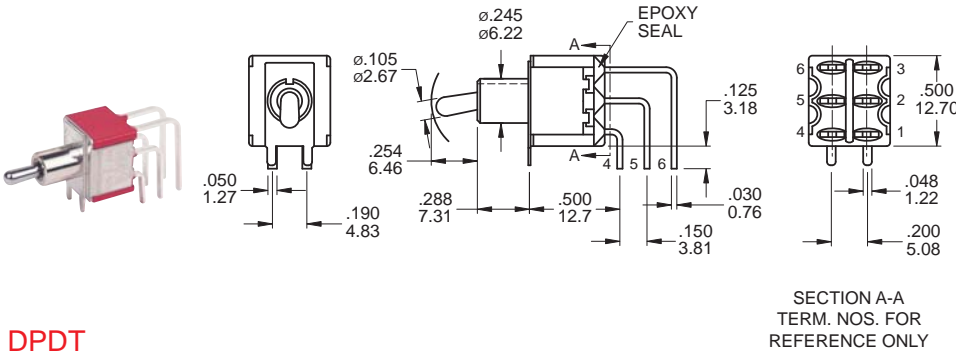


SPDT

Part No. Shown : 1MS1T2B4M7QES

SECTION A-A
TERM. NOS. FOR
REFERENCE ONLY

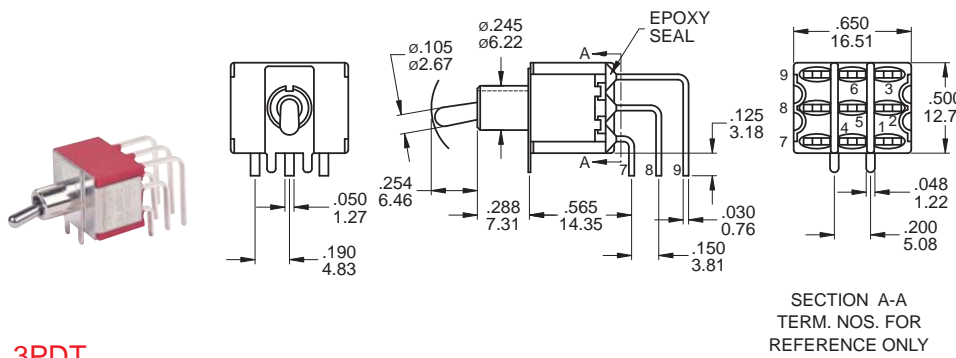
M7



Part No. Shown : 1MD1T2B4M7QES

DPDT

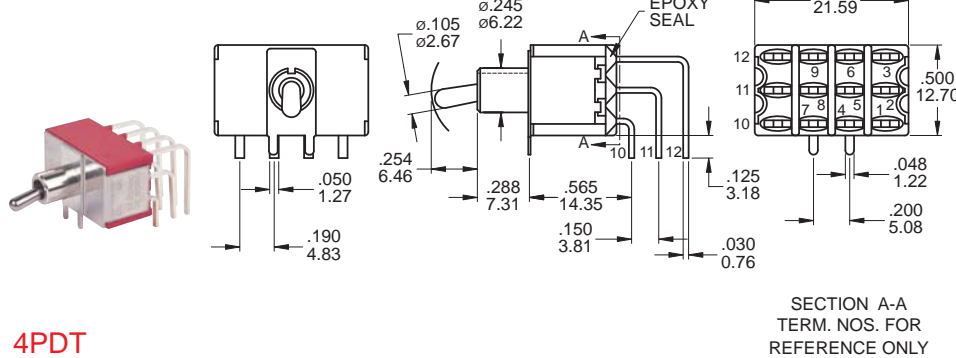
M7



Part No. Shown : 1M31T2B4M7QES

3PDT

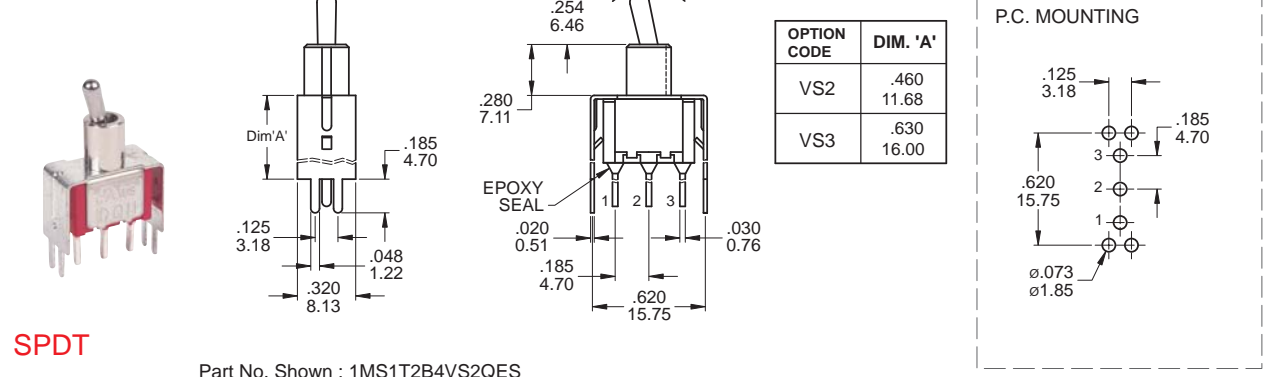
M7



Part No. Shown : 1M41T2B4M7QES

4PDT

VS2 - VS3



Part No. Shown : 1MS1T2B4VS2QES

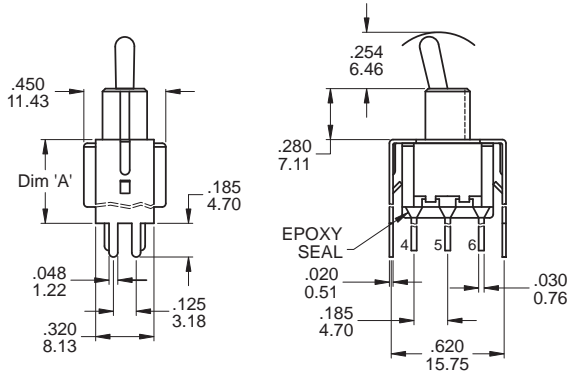
SPDT

1M Series

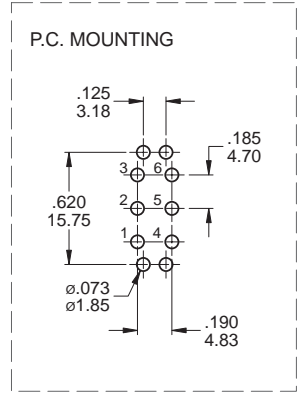
Miniature Toggle Switches

1M
Toggle Switches

VS2 - VS3



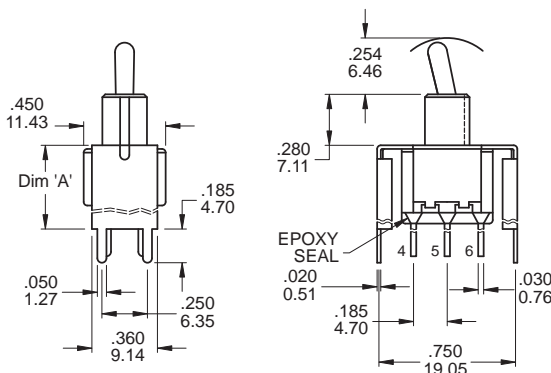
OPTION CODE	DIM. 'A'
VS2	.460 11.68
VS3	.630 16.00



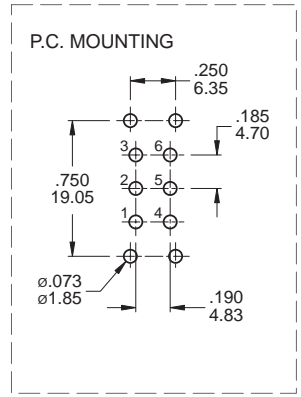
DPDT

Part No. Shown : 1MD1T2B4VS3QES

VS5



OPTION CODE	DIM. 'A'
VS4	.460 11.68
VS5	.630 16.00

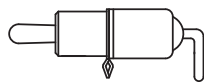
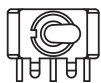


DPDT

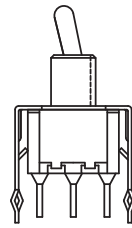
Part No. Shown : 1MD1T2B4VS5QES

SNAP-IN TERMINATION OPTIONS

M6N

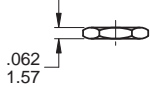
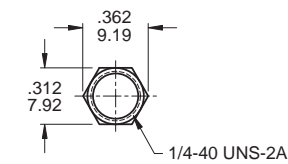


V2N



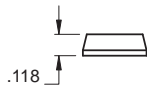
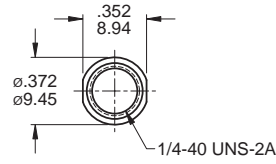
HARDWARE

1/4 NUT



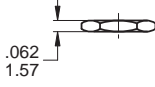
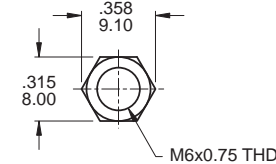
MNU-1M01A

DRESS NUT



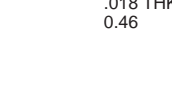
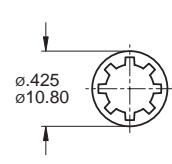
MNU-1M29

METRIC NUT



MNU-1M04

LOCKWASHER



MNU-1M03

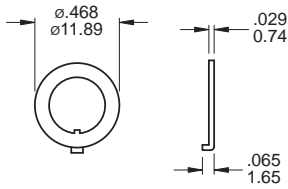
Supplied standard with B1, B3, B5, B6 and B9 options

Supplied standard with B8 metric bushing

Supplied standard with B1 / B3 bushing



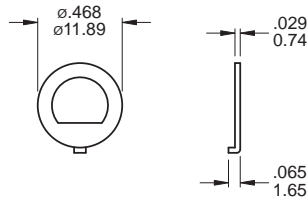
LOCKING RING



MNU-1M02

Locking ring supplied standard

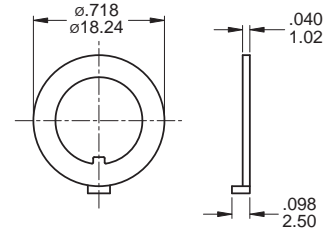
LOCKING RING



MNU-1M11

Locking ring supplied with B5 bushing

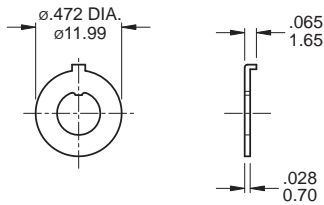
LOCKING RING



MNU-1M08

Locking ring supplied with B13, B18, B20 bushing

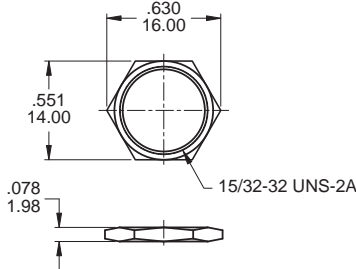
LOCKING RING



MNU-1M05

Locking ring supplied with B8 bushing

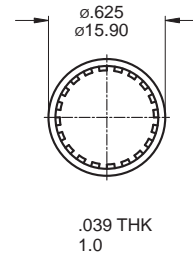
15/32 NUT



MNU1M07

Supplied standard with B13 bushing

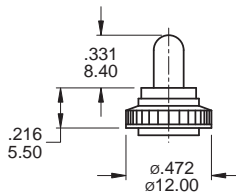
LOCKWASHER



MNU-1M09

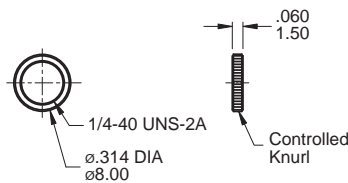
Supplied standard with B13 bushing

OPTIONAL RUBBER HOOD SEALING



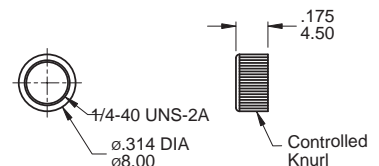
K1=Metric
E1=Inch (Std.)
for actuator T1, T2 and
B1, B3, B5, B6 Bushing only

DRESS NUT



MNU-1M18

DRESS NUT



MNU-1M24

CONTACT MATERIAL OPTIONS

	CONTACT PLATING	TERMINAL PLATING	RATINGS
Q	Silver	Q = Silver	5 Amps with resistant load @ 120VAC or 28VDC 2 Amps with resistant load @ 250VAC
C	Gold over Silver	C = Gold over silver	
R	Gold	R = Gold	0.4 Volt - Amps (VA) max. @ 20V max. (AC or DC)

SOLDERING PROCESSES

MANUAL SOLDERING: Use soldering iron of 30 watts, controlled at 350°C approximately 5 seconds while applying solder.

WAVE SOLDERING: Recommended Soldering Temperature: 270 ± 5°C

Duration of Solder Immersion: Max 5 sec. (PCB is 1.6mm in thickness)