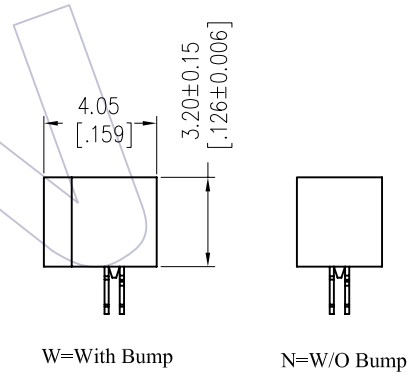
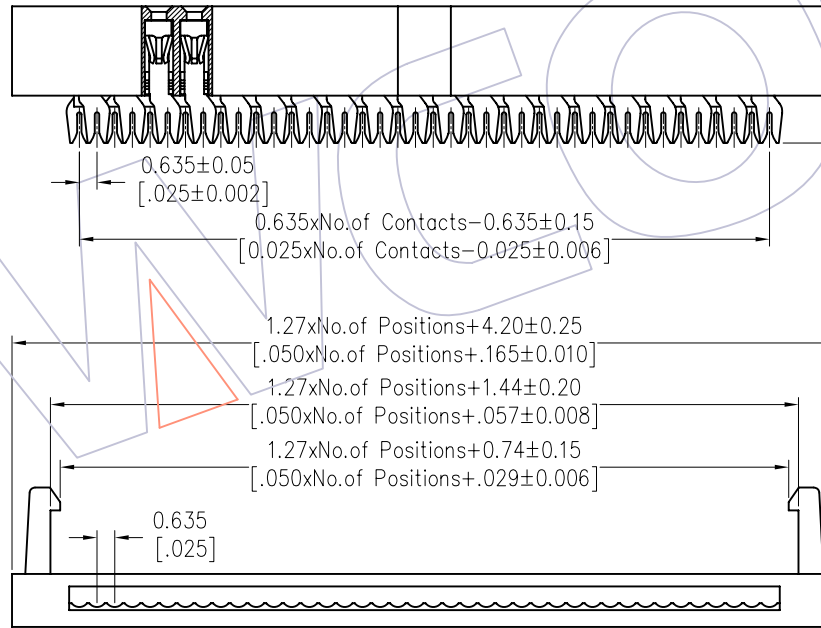
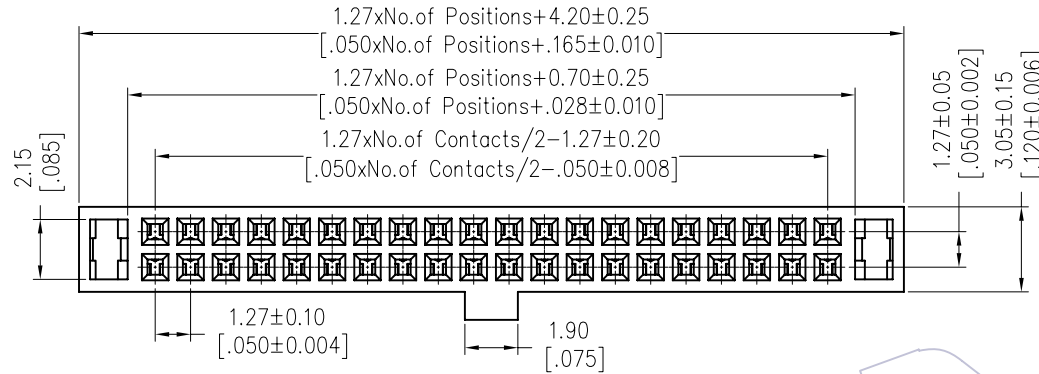


HSF

NOTES:

Rated Current: 1.0AMP
 Contact Resistance: 20mΩ max
 Withstand Voltage: 500V AC/DC
 Insulation Resistance: 1000MΩ min
 Operation Temperature: -40°C to +105°C

Contact Material: Phosphor Bronze
 Contact plating: Au Or Sn over Ni
 Insulator Material: PBT+30%G.F UL94V-0



Ordering Information

5232- XX U P XX B X 0 1

- | | | | |
|-------------|------------------|-------------|-------------|
| No. of Pins | Contact Plating: | Color: | Bump |
| 06=6P | S0=Gold Flash/Ni | B=Black | N=W/O Bump |
| 10=10P | S3=10u"Gold/Ni | G=Grey 427C | W=With Bump |
| 20=20P | S4=15u"Gold/Ni | E=Grey 413C | |
| 30=30P | S5=30u"Gold/Ni | | |
| 40=40P | SN=Tin | | |
| 50=50P | | | |
| 60=60P | | | |
| 80=80P | | | |

Item	Pitch	Mating
Standard	1.27	3130/3132/3230
Alternate		

REV	DATE	MODIFICATION DESCRIPTION	CHANGE	OPERATION	DRAW	DATE	SCALE	FIT	PART NO.
				x.x ±0.40	JYHuang	2012/10/10	UNIT	mm	5232-XXUPXXBX01
				x.xx ±0.25	CHECK	DATE	SIZE	A4	TITLE:
				x.xxx ±0.15	APPROVE	DATE	SHEET	1/1	1.27mm IDC SOCKET
				Angle ± 3°			PROJ.		Customer NO.
				DIM TOL					

WCON

Http: www.wcon.com

WCON-Dongguan	WCON-Kunshan
Tel: +86 769 85358920	Tel: +86 512 57468408
Fax: +86 769 85358915	Fax: +86 512 57468468
E-mail: sales@wcon.com	E-mail: salesks@wcon.com