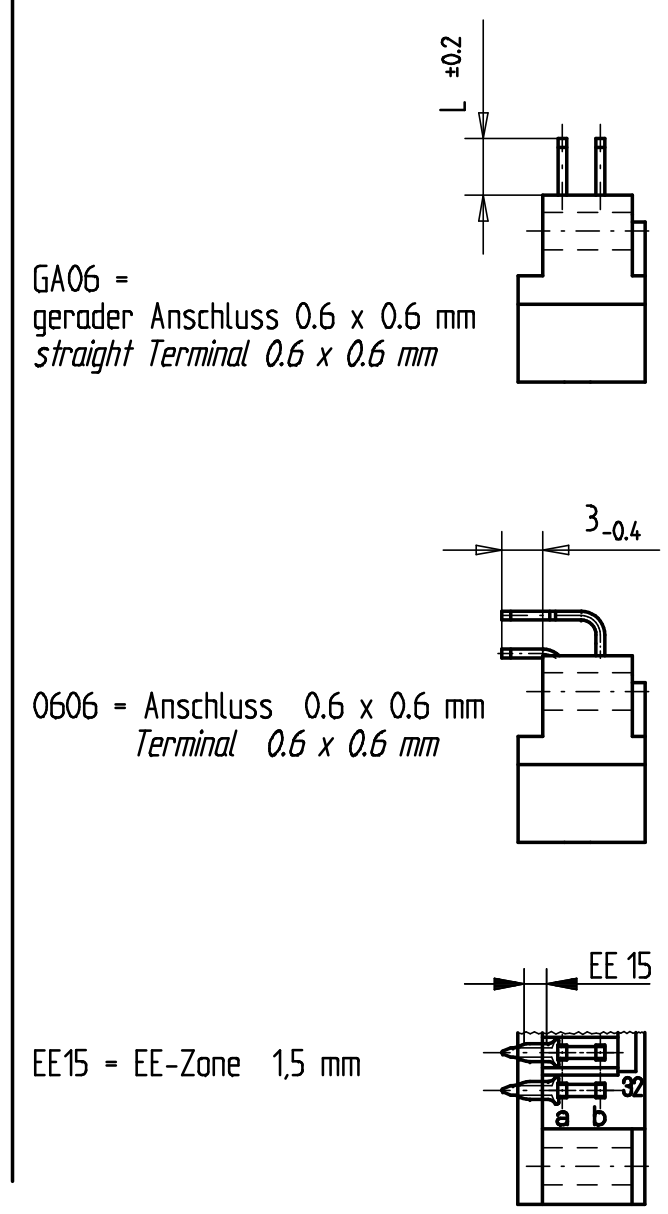


Anschlussarten L = Anschlusslaenge
Terminal Types L = Terminal Length



Befestigungsclip auf Wunsch
Optional: Retentive clip

| | |
|--|--------|
| Ident-Nr. / Part No. : | 533206 |
| Polzahl / No. of Contacts : | 64 |
| Reihe - Steckseite / Rows Loaded : | AB |
| Bestückung / How Loaded : | VV |
| Anschlussart / Terminal Type : | 0606 |
| Anschlusslänge L / Terminal Length L : | - |
| Voreilung - Nacheilung / EMLB - LMEB : | - |
| Anforderungsstufe / Class : | 137 |
| Aufdruck / Logo : | ERNI |
| Gehäuse - / Housing Material : | 172 |
| Sonderausführung / Special : | |

NE = Nacheilung/ LMEB = last make early break
VE = Voreilung/ EMLB = early make last break
Fehlende Masse und Angaben nach DIN EN 60603-2
Missing information and dimensions per IEC 60603-2

| | | | | |
|--|--|----------------------|--|--------|
| Information: | Tolerances | | Scale | 2:1 |
| All rights reserved. Only for information. To insure that this is the latest version of this drawing, please contact one of the ERNI companies before using. | Subject to modification without prior notice. Drawing will not be updated. | All Dimensions in mm | Designation | |
| | | | Messerleiste B - BA 3 Male Connector B - Type 3 | |
| b | 19.01.2000 | ERNI | www.ERNI.com | 054841 |
| Index | Date | 0-00013238.SZA | | STVB |