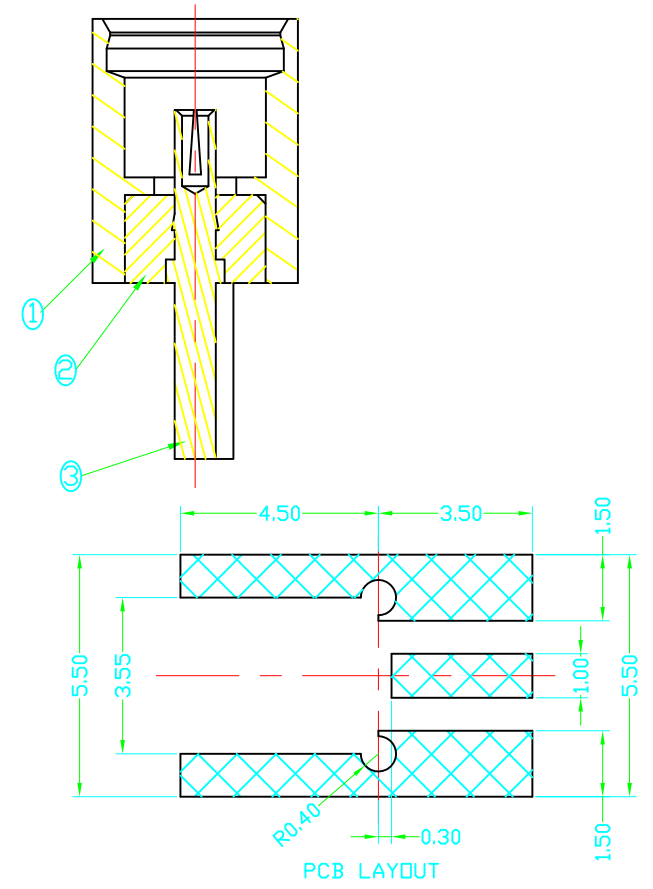
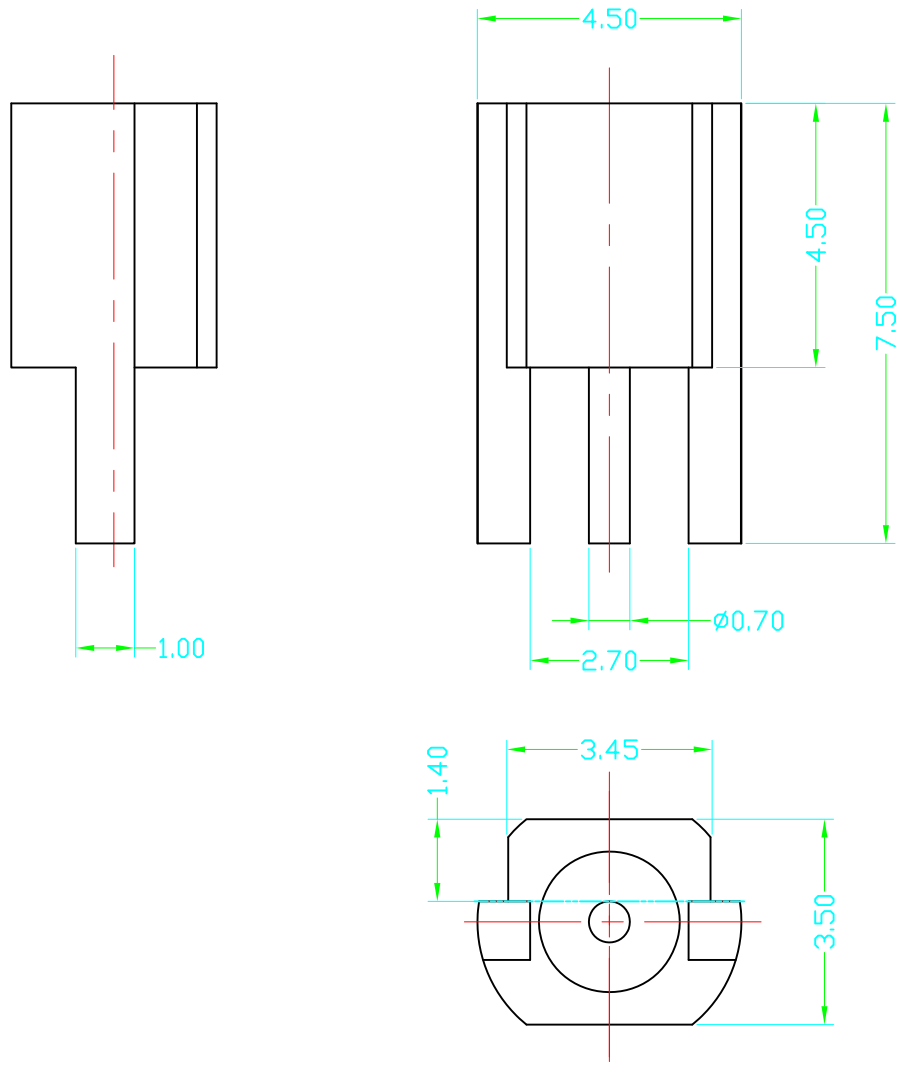



Kinghelm®

| SIGN | DATE | DESCRIPTION | APPROVER |
|------|------|-------------|----------|
| △ | | | |
| △ | | | |
| △ | | | |



| | | | |
|---------------------------|------------|---------------------------|--|
| 深圳市金航标电子有限公司 | | WWW.BDS666.COM | |
| 型号: KH-MMCX-PBS | | 0755-83044319 | |
| TITLE: MMCX 母頭母針(破板式) | | | |
| PART NO.: MMX005-ZG8JNPCB | | DWG NAME: MMX005-ZG8JNPCB | |
| APPROVED BY | CHECKED BY | DESIGNED BY |  Tolerance X.X ±0.1 X.XX ±0.05 X° ±1° |
| | | Tom Liu 2020.08.24 | |
| | | UNITS: mm | |
| | | SCALE: 1/1 | |
| | | REVISION: A | |