

PANEL CUT-OUT		
Z	X	Y
0.70~1.25	19.90~20.30	19.4~19.5
1.25~2.00	20.40~20.70	19.4~19.5
2.00~3.00	20.80~21.10	19.4~19.5

NOTES:

1. Rating:

CCC 6A 250V AC T105/55

6(8)A 250VAC

8A/128A 250VAC

cUL 100PA 250V AC

60PA 125V AC T105/55

VDE ENEC 6(4)A 250V AC T85/55

KC 6(4)A 250V AC T85/55

2. Circuit Diagram: 2P ON-OFF

3. Terminal Strength: ≥80N

4. Electrical life: ≥10000 cycles

5. Withstand Voltage: Withstand Voltage: 1500VAC 1min

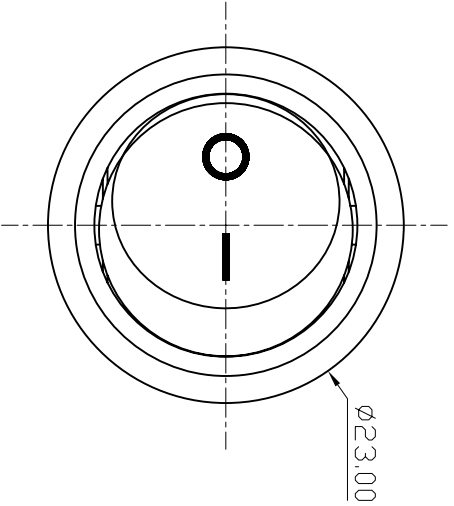
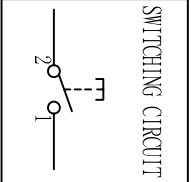
Terminals to Button: 3000VAC 1min

Leakage Current: 1mA

6. Current resistance: ≤50mΩ (initial)

7. Insulation resistance: ≥100MΩ

8. Body Material: NYLON 66 94V-0-2



普通公差:
COMMON TOLERANCE:

A4		
A3		
A2	UP TO 5	±0.20
A1	ABOVE 5 TO 30	±0.30
	ABOVE 30	±0.50
REV.	DATE	REVISION DESCRIPTION
		ISSUE

LECI

乐磁电子有限公司
LECI ELECTRONICS CO., LTD

单位	mm	投影	核 对	梁金勇	品名	跷板开关	比例	Free
UNIT		PROJECTED	CHECKED BY		PRODUCT NAME		SCALE	
绘图	周金勇	核 对	核 准	周培雷	型 号	RS601		
DRAWN BY		CHECKED BY	APPROVAL BY		MODEL NO.			
日期	2015.09.11	核 准			图 号	RS601C-1010011BB		
DATE		APPROVAL			DWG NO.			