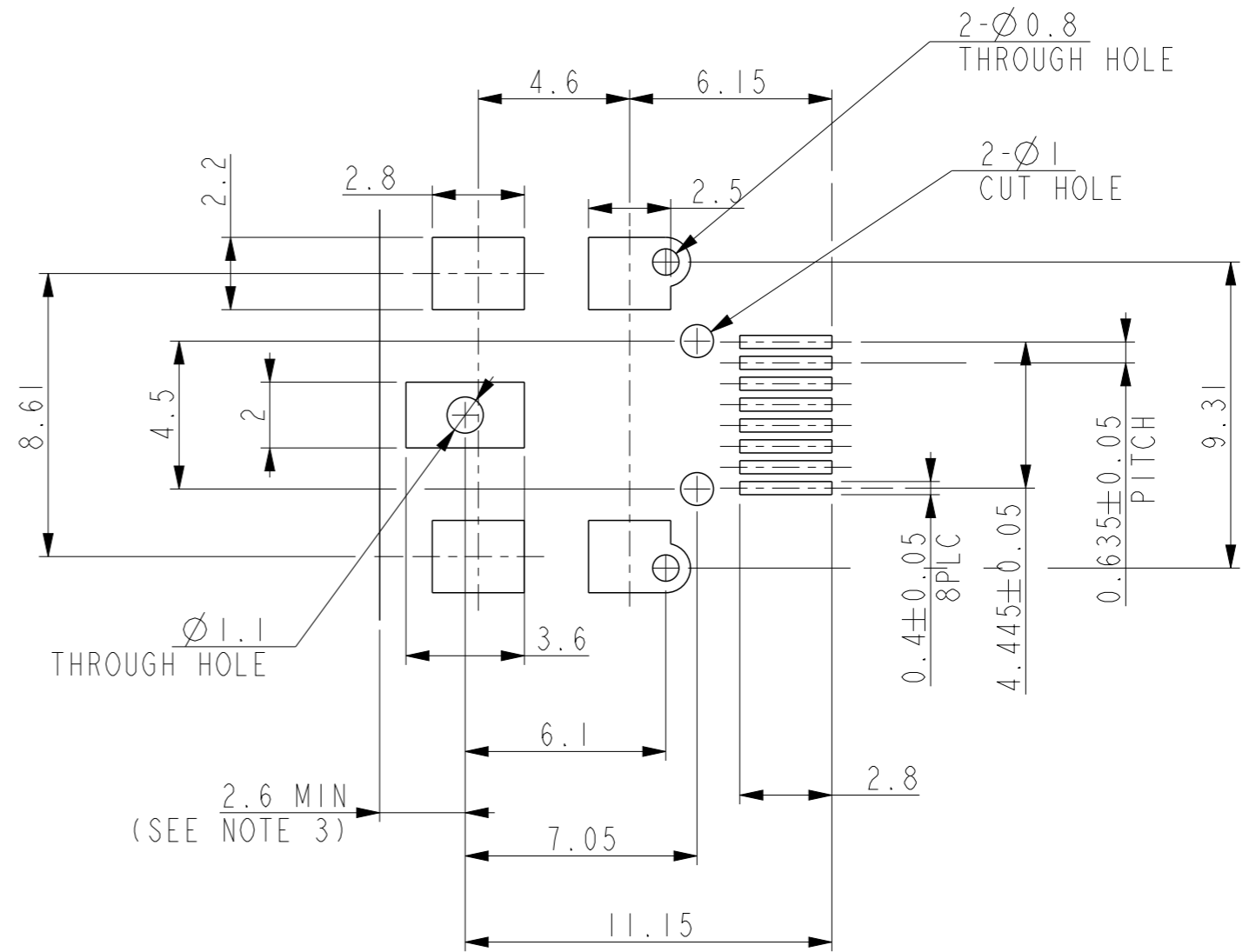


PRODUCT NUMBERING:

10137237 - 0 0 X 0 LF

LEAD FREE

1. TYPE 1 (Use Tray Packing)
2. TYPE 2 (Use Tape / Reel Packing)
3. TYPE 1 (Use Tape / Reel Packing)



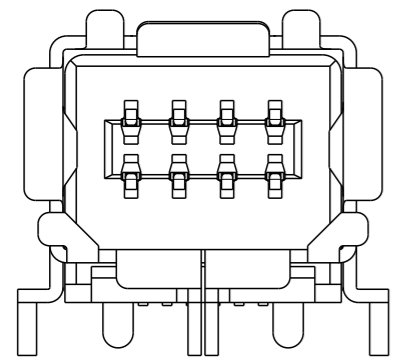
RECOMMENDED BOARD DIMENSION
(CONNECTOR SIDE) ±1.6

NOTES:

1. MATERIAL AND FINISH
CONTACT: COPPER ALLOY
UNDER ALL SURFACE NICKEL 1.27µm MIN.
TOP CONTACT AREA : GOLD 0.5µm MIN
SOLDERING AREA : GOLD FLASH.
HOUSING: THERMO PLASTIC (UL94V-0)
SHELL: COPPER ALLOY
UNDER ALL SURFACE NICKEL
TOP ALL SURFACE TIN
2. COPLANARITY 0.1 MAX
3. DIMENSION DECIDED BY CUSTOMER.
4. PACKAGING SPEC GS-14-2538

spec ref	GS-12-1345			dr	Sawanth, Ambaa	2016/07/12	projection	mm	size	A3	scale	5:1
tolerance std	TOLERANCES UNLESS OTHERWISE SPECIFIED			eng	Mike Zhou	2019/07/05			ecn no		ELX-N-34146-1	
ISO 406 ISO 1101				chr	-	-			rel level		Released	
surface		linear	0.X	±0.3								
ISO 1302		angular	0°	±°								
				appr	Tim Yao	2019/07/05	product family		rel level		Released	
				surface	linear	0.XX	±0.20					
				surface	linear	0.XXX	±0.100					
				surface	angular	0°	±°					
				cat. no.				Product - Customer Drw		sheet 1 of 2		

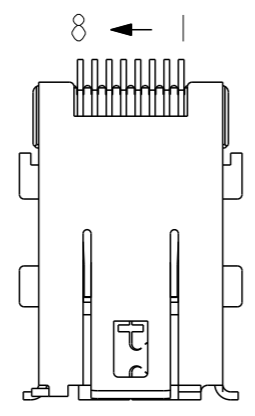
PART NUMBER	DESCRIPTION	POS
10137237-0010LF	TYPE I SMT RIGHT ANGLE	8
10137237-0020LF	TYPE II SMT RIGHT ANGLE	8
10137237-0030LF	TYPE I SMT RIGHT ANGLE	8



10137237-0020LF
D-SHAPE TYPE 2

8	6	4	2
7	5	3	1

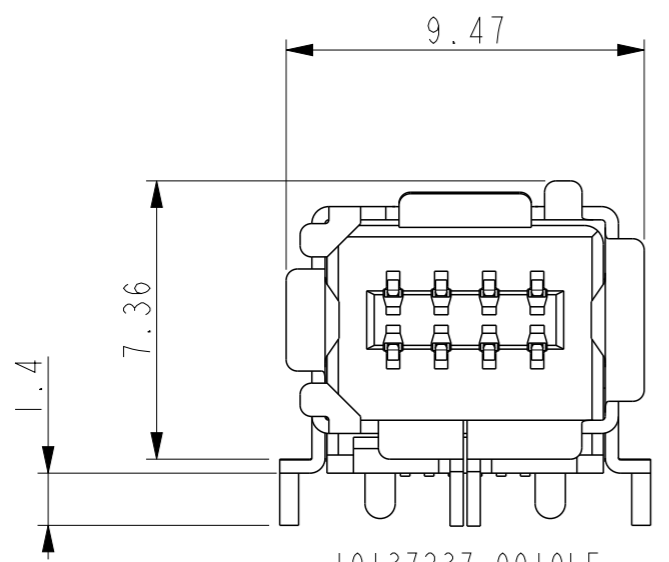
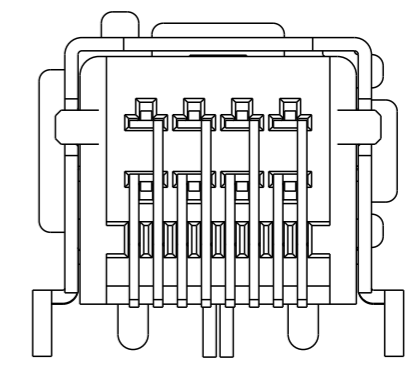
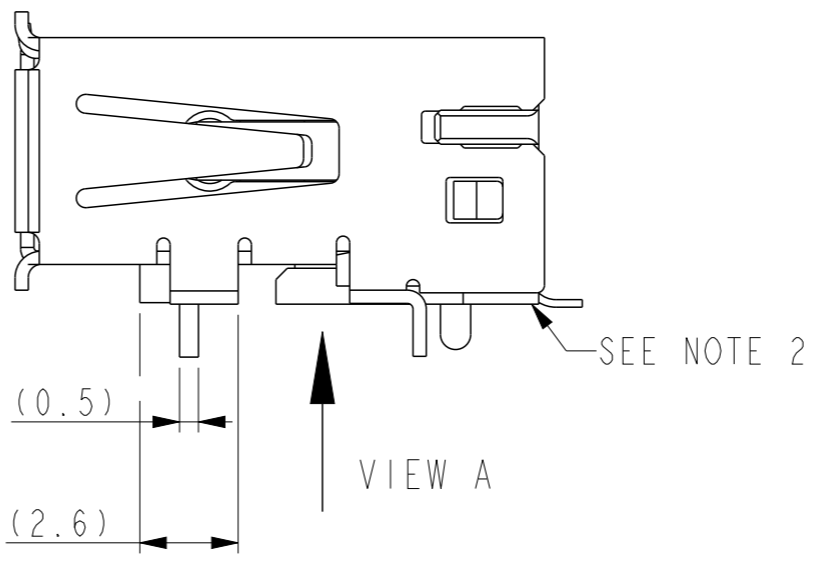
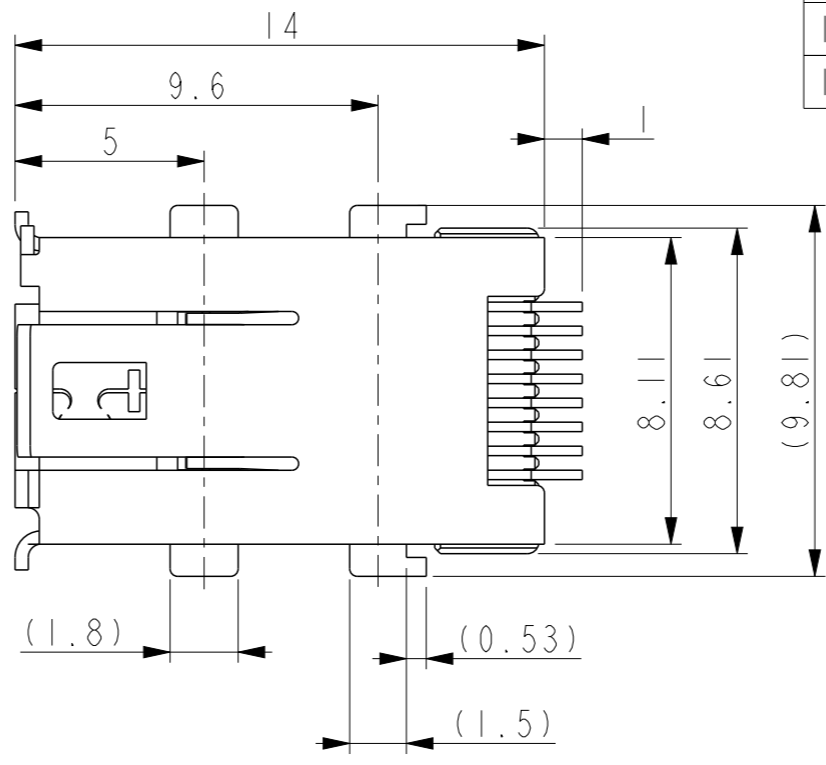
CIRCUIT NO.



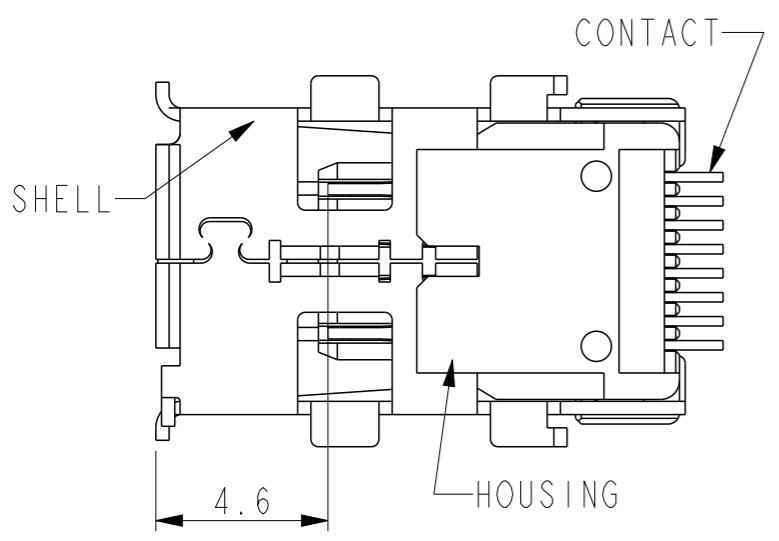
10137237-0010LF & -0030LF
D-SHAPE TYPE 1

8	6	4	2
7	5	3	1

CIRCUIT NO.



10137237-0010LF
D-SHAPE TYPE 1



spec ref	GS-12-1345	dr	Sawanth, Ambaa	2016/07/12	projection	mm	size	A3	scale	5:1
tolerance std	ISO 406 ISO 1101	eng	Mike Zhou	2019/07/05			ecn no	ELX-N-34146-1		
TOLERANCES UNLESS OTHERWISE SPECIFIED		chr	-	-			rel level	Released		
surface	linear	0.X	±0.3	Amphenol FCI	product family		MINI I/O CONN 1.27mm PITCH 8P HDR ASSY	dwg no 10137237	rev D	
		0.XX	±0.20		cat. no.					Product - Customer Drw
	angular	0°	±°		sheet 2 of 2					

Amphenol FCI

© 2016 AFCI