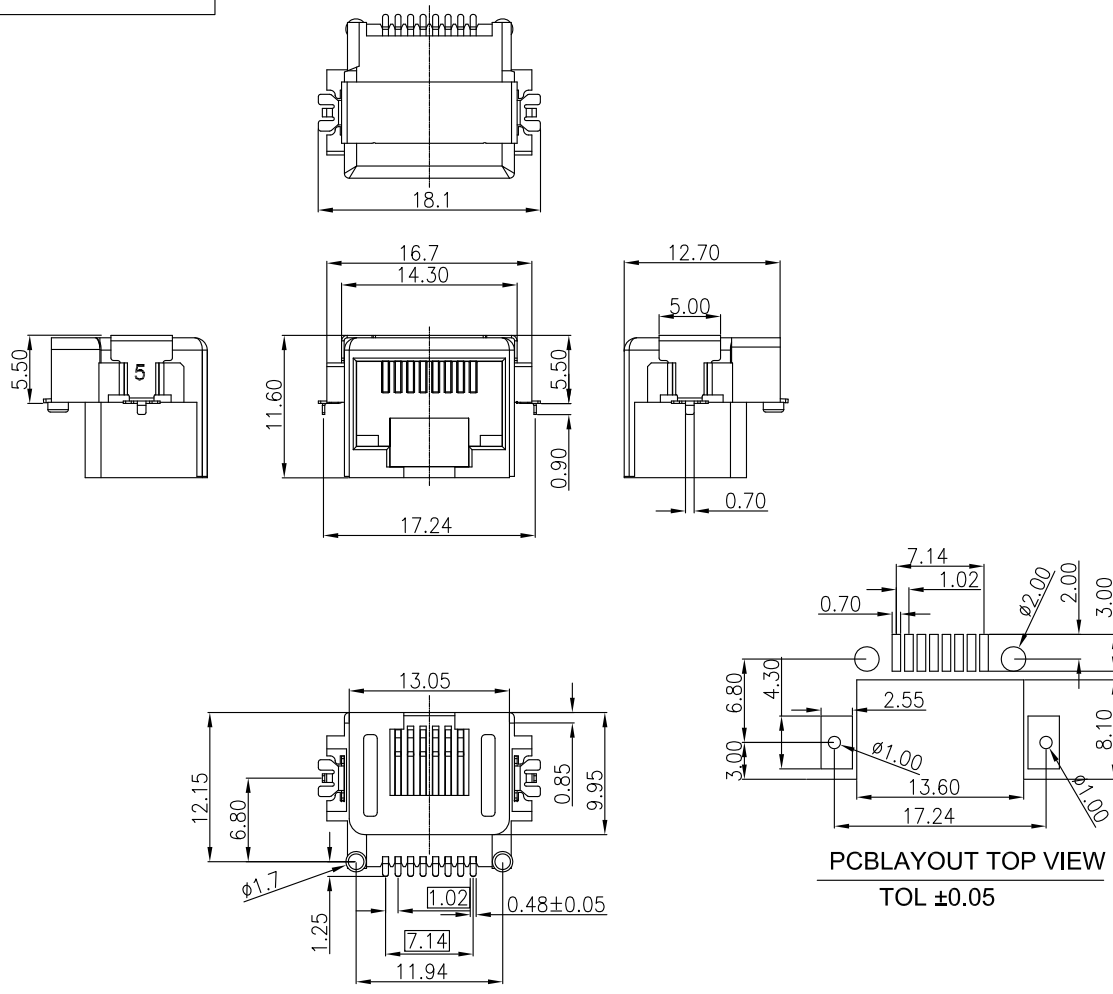


CUSTOMER DRAWING

版次 REV.	ECN编号 ECN NUMBER	设变内容 MODIFICATION	日期 DATE	制图 DRAW	核准 APPROVE
A		初版发行	20-JUL-18	DOREN	DDS



RK 010 - ZZ X - B 00-102

系列码
8P8C SMT
1:GOLD FLASH
3:3u"

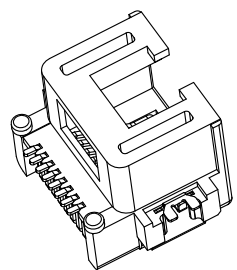
NOTES

MATERIAL
 1. HOUSING MATERIAL : GLASS FILLED POLYESTER UL94V-0.
 2. CONTACT MATERIAL : PHOSPHOR BRONZET=0.3mm.
 3. PLATING : GOLD FLASH PLATING OVER NICKEL.
 4. SHIELD : 0.20mm THICKNESS COPPER ALLOY WITH NICKEL PLATED.

ELECTRICAL
 1. VOLTAGE RATING : 125 VAC RMS.
 2. CURRENT RATING : 1.5 AMP.
 3. CONTACT RESISTANCE : 40 MILLIOHMS MAX.
 4. INSULATION RESISTANCE : 500 MEGOHMS MIN @ 100V DC .
 5. DIELECTRIC DIELECTRIC RESISTANCE : 500V DC RMS 50Hz. 1MIN.

MECHANICAL
 1. DURRABILITY : 750 CYCLES MIN.
 2. MATING/UNMATING FORCE : 2.04 KG. F MAX.

ENVIRONMENTAL:
 1. STORAGE : -40°C~+85°C.
 2. OPERATION : 0° C TO 70° C.



PCBLAYOUT TOP VIEW
TOL ±0.05

THESE DRAWINGS AND SPECIFICATIONS ARE THE PROPERTY OF GMA AND SHALL BE COPIED OR NOT BE REPRODUCED QUICED IN ANY MANNER WITHOUT THE PRIOR WRITTEN CONSENT OF GMA	DIMENSION IN mm [Inch]		GMA 东莞市国满电子科技有限公司 Dongguan Guoman Electronic Technology Co.,Ltd.	
	TOLERANCE UNLESS OTHERWISE SPECIFIED		料号 FILE NO.	图号 DWG NO.
	.X± 0.35	X°± 3°	RK010-ZZX-B00-102	RK102-1
	.XX± 0.25	.X°± 2°	名称 TITLE	
	.XXX± 0.15	.XX°± 1°	RJ45沉板5.5 SMT中包	
核准 APPROVE	审核 CHECK	制图 DRAW	角法 PROJ.	图纸 SIZE A4
			比例 SCALE 1:1	张数 SHEET 1/1 版次 REV A