

CUSTOMER DRAWING

版次 REV.	ECN编号 ECN NUMBER	设变内容 MODIFICATION	日期 DATE	制图 DRAW	核准 APPROVE
A		初版发行	08-JUN-13	DOREN	DDS
B	ECN1505002	依实物修正图面	28-MAY-15	DOREN	DDS
C	ECN1704001	UPDATE $\Delta$	01-APR-17	DOREN	DDS

NOTES:

- HOUSING MATERIAL: GLASS FILLED POLYESTER UL94V-0.
- CONTACT MATERIAL: COPPER ALLOY, T=0.35.
- PLATING: GOLD PLATED ON CONTACT AREA, 100u" MIN. TIN PLATED ON SOLDERING AREA, 50u" MIN. NICKEL PLATED OVERALL.
- SHELL: COPPER ALLOY, T=0.20. 30u" MIN. NICKEL PLATED OVERALL.

ELECTRICAL:

- VOLTAGE RATING: 125V AC RMS.
- CURRENT RATING: 1.5AMP.
- CONTACT RESISTANCE: 30MILLIOHMS MAX.
- INSULATION RESISTANCE: 500MEG OHMS MIN @500V DC.

MECHANICAL:

- DURABILITY: 750 CYCLES MIN.
- INSERTION FORCE: 22N MAX.
- REMOVAL FORCE (WITHOUT PLUG LOCK): 22N MAX.

ENVIRONMENTAL:

- STORAGE: -40°C~85°C
- OPERATION: 0°C~70°C

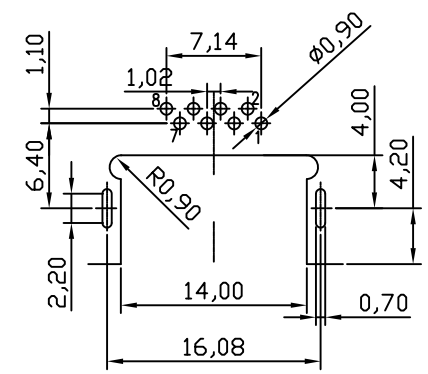
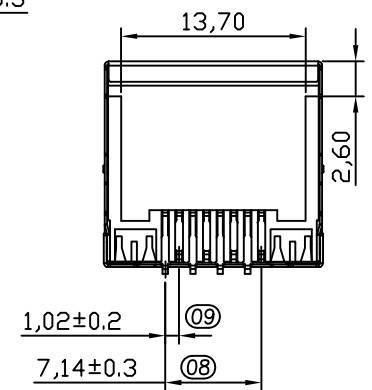
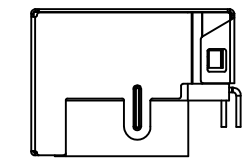
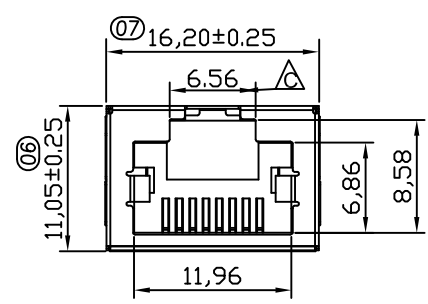
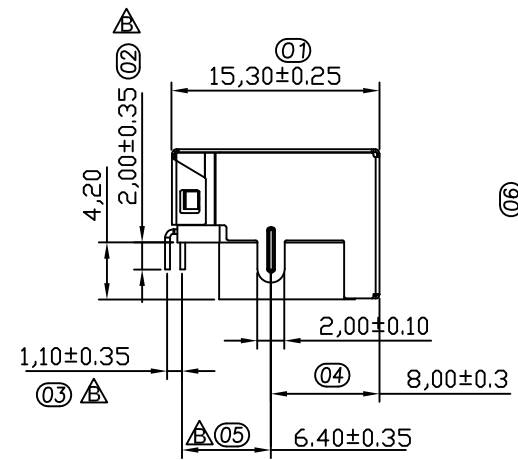
\*Apply to the EU standards (ROSH)

1.  $\textcircled{01}$ ~ $\textcircled{09}$  FOR QIP DIM.

**RJ3 1 0-Z Z X-2 00-0R**

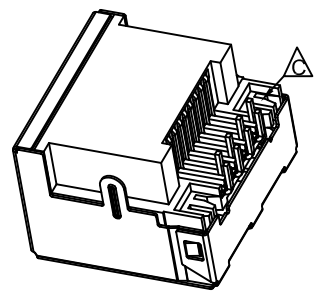
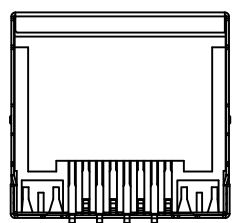
SERIES CODE: RJ3  
SHELL CODE: 1-W SHELL  
SPRING: 0-W/O ALL SPRING  
LED POLARITY CODE: Z-W/O LED  
LED CODE: Z-W/O LED

INPUT PIN CODE: 2-DIP 脚长 2.0  
PLATING CODE:  
1-G/F  
8-3u" Au  
A-5u" Au  
B-6u" Au  
7-15u" Au  
3-30u" Au



PCBLAYOUT TOP VIEW  
TOL: ±0.05

脚位尺寸以过孔规为准



THESE DRAWINGS AND SPECIFICATIONS ARE THE PROPERTY OF GMA AND SHALL NOT BE REPRODUCED, COPIED OR IN ANY MANNER WITHOUT THE PRIOR WRITTEN CONSENT OF GMA

DIMENSION IN mm [Inch]	TOLERANCE UNLESS OTHERWISE SPECIFIED		GMA 东莞市国满电子科技有限公司 Dongguan Guoman Electronic Technology Co., Ltd.	
	.X± 0.35	X°± 3°	料号 FILE NO. RJ310-ZZX-200-0R	图号 DWG NO. C-RJ310-Z
	.XX± 0.25	.X°± 2°	名称 TITLE RJ45 沉板 4.2 DIP 有壳无灯	
	.XXX± 0.15	.XX°± 1°	核准 APPROVE 审核 CHECK ZILL DDS 制图 DRAW 角法 PROJ. 角法 DOREN 比例 SCALE 1:1 张数 SHEET 1/1 版次 REV C	