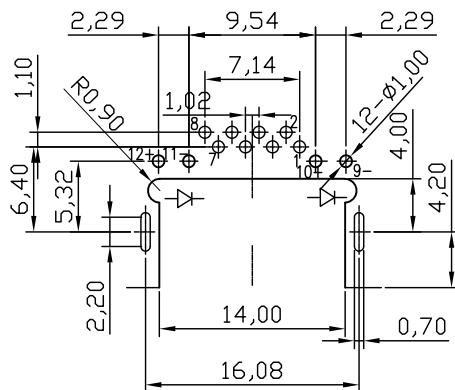
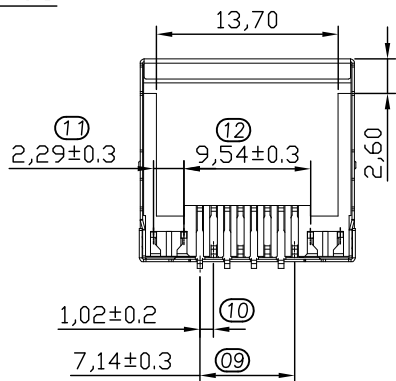
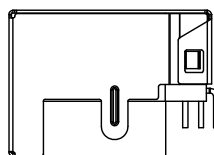
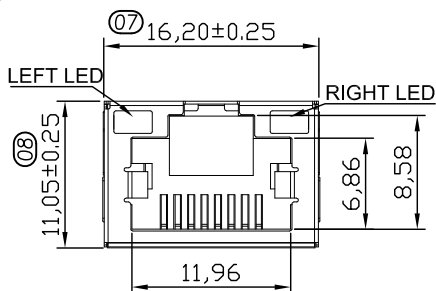
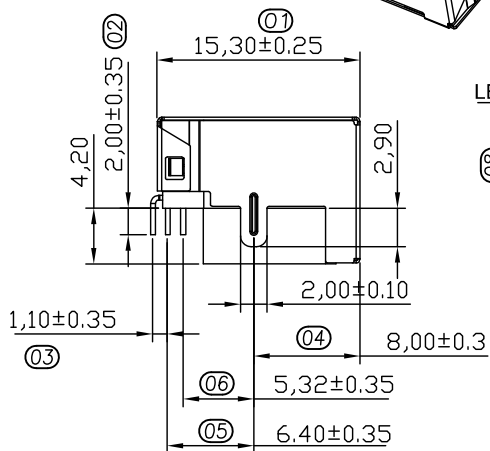
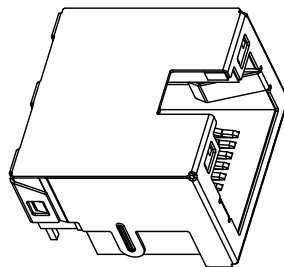
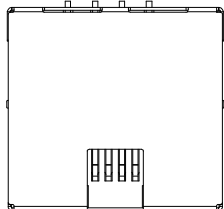
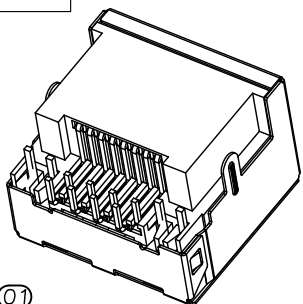
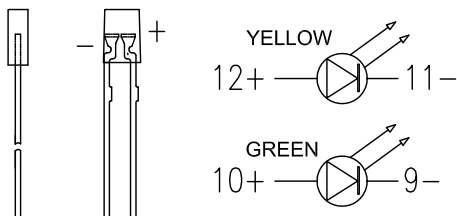


CUSTOMER DRAWING



脚位尺寸以过孔规为准



版次 REV	ECN编号	设变内容 MODIFICATION	日期 DATE	制图 DRAW	核准 APPROVE
A		初版发行	17-JAN-17	DOREN	DDS

NOTES:

- HOUSING MATERIAL:GLASS FILLED POLYESTER UL94V-0.
- CONTACT MATERIAL:COPPER ALLOY,T=0.35.
- PLATING: GOLD PLATED ON CONTACT AREA, 100u"MIN. TIN PLATED ON SOLDERING AREA, 50u"MIN. NICKEL PLATED OVERALL.
- SHELL:COPPER ALLOY,T=0.20. 30u"MIN. NICKEL PLATED OVERALL.
- LED:LED:透明黄灯, 透明绿灯, T=0.40mm.耐温260° 3~5s.亮锡电镀.

ELECTRICAL:

- VOLTAGE RATING: 125V AC RMS.
- CURRENT RATING: 1.5AMP.
- CONTACT RESISTANCE: 30MILLIOHMS MAX.
- INSULATION RESISTANCE: 500MEGOHMS MIN @500V DC.

MECHANICAL:

- DURABILITY: 750 CYCLES MIN.
- INSERTION FORCE : 22N MAX.
- REMOVAL FORCE(WITHOUT PLUG LOCK) : 22N MAX.

ENVIRONMENTAL:

- STORAGE: -40°C~85°C
- OPERATION: 0°C~70°C

\*Apply to the EU standards(ROSH)

- ⑦~⑫ FOR QIP DIM.

RJ3 1 0-G 2 1-2 0 0-0 R

SERIES CODE

SHELL CODE  
1-Front shell C2680

SPRING & LEG CODE  
0-W/O All SPRING

LED CODE  
G2-透明大灯孔左黄右绿

0: LCP黑色

Input Pin Code :  
2- Input Pin 8p, 脚长2.0

Contact plating CODE  
1-G/F

THESE DRAWINGS AND SPECIFICATIONS ARE THE PROPERTY OF GMA AND SHALL BE COPIED OR NOT BE REPRODUCED IN ANY MANNER WITHOUT THE PRIOR WRITTEN CONSENT OF GMA

DIMENSION IN mm [Inch]		料号 FILE NO.		图号 DWG NO.	
TOLERANCE UNLESS OTHERWISE SPECIFIED		RJ310-G21-200-0R		C-RJ310-G21	
.X±0.35	X°±3°	名称 TITLE			
.XX±0.25	.X°±2°	RJ45 沉板4.2 DIP直脚左黄右绿(大灯孔)			
.XXX±0.15	.XX°±1°	制图 DRAW		角法 PROJ.	
核准 APPROVE	审核 CHECK	DOREN		张数 SHEET 1/1	
ZILL	DDS	比例 SCALE 1:1		图纸 SIZE A4	
				版次 REV A	

gma 东莞市国满电子科技有限公司  
GMA TECHNOLOGY CO., LTD.

料号 FILE NO. RJ310-G21-200-0R  
图号 DWG NO. C-RJ310-G21

名称 TITLE  
RJ45 沉板4.2 DIP直脚左黄右绿(大灯孔)

制图 DRAW  
DOREN  
角法 PROJ.   
张数 SHEET 1/1  
比例 SCALE 1:1  
图纸 SIZE A4  
版次 REV A