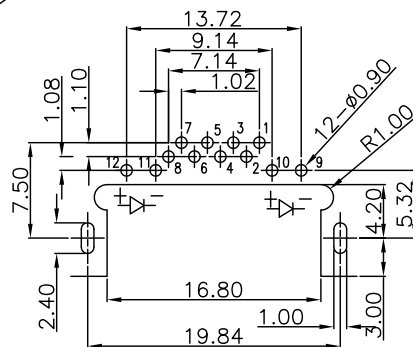
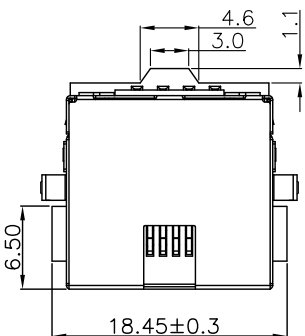
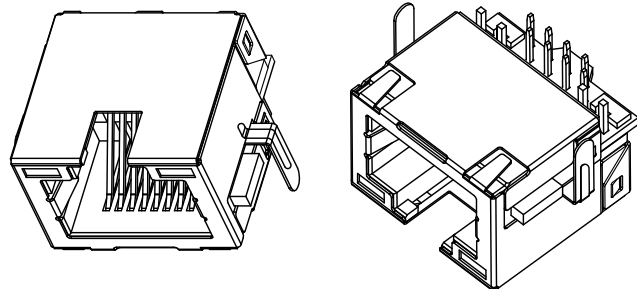
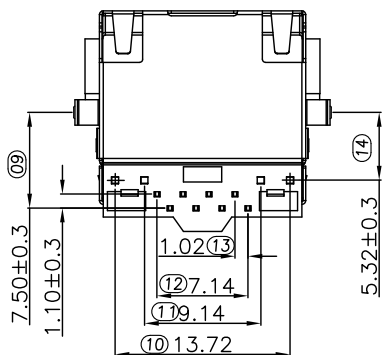
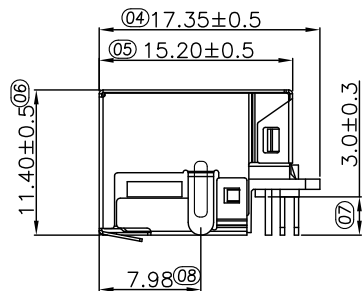
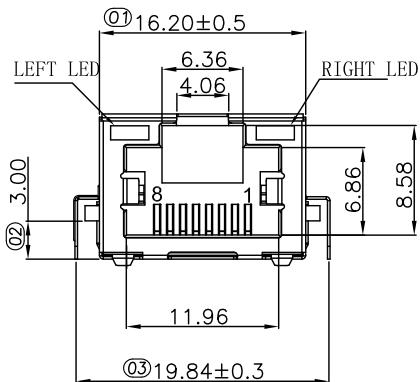


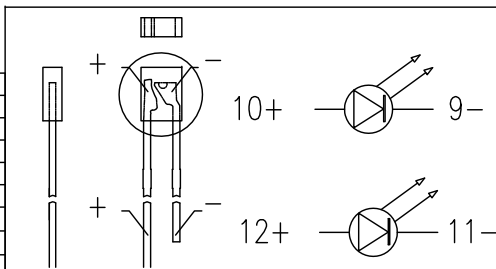
CUSTOMER DRAWING



PCBLAYOUT  
TOL:±0.05



8	/
7	/
6	RX-
5	/
4	/
3	RX+
2	TX-
1	TX+
PIN序 说明	



版次 REV.	ECN编号 ECN NUMBER	设变内容 MODIFICATION	日期 DATE	制图 DRAW	核准 APPROVE
A		初版发行	21-MAR-13	DOREN	DDS
B		UPDATE	15-JUL-13	DOREN	DDS
C		增加颜色码	12-MAR-14	DOREN	DDS

- NOTES:
- HOUSING MATERIAL:GLASS FILLED POLYESTER UL94V-0.
  - CONTACT MATERIAL:COPPER ALLOY,T=0.35.
  - PLATING: GOLD PLATED ON CONTACT AREA, 100u"MIN.MATTE TIN PLATED ON SOLDERING AREA, 50u"MIN. NICKEL PLATED OVERALL.
  - SHELL:COPPER ALLOY,T=0.20. 30u"MIN. NICKEL PLATED OVERALL.
  - LED:T=0.50,MATE TIN PLATED.

- ELECTRICAL:
- VOLTAGE RATING: 125V AC RMS.
  - CURRENT RAING: 1.5AMP.
  - CONTACT RESISTANCE: 40MILLIOHMS MAX.
  - INSULATION RESISTANCE: 500MEGOHMS MIN @100V DC.

- MECHANICAL:
- DURRABILITY: 750 CYCLES MIN.
  - INSERTION FORCE : 22N MAX.
  - REMOVAL FORCE(WITHOUT PLUG LOCK) : 22N MAX.

- ENVIRONMENTAL:
- STORAGE: -40°C~85°C
  - OPERATION: 0°C~70°C
- \*Apply to the EU standards(ROSH)
1. ⑦~⑭为QIP尺寸.

**RJ1 1 4-A X X-3 0 0-X R**

SERIES CODE: RJ1  
SHELL CODE: 1-W/shell  
SPRING: 4-只带底部弹片  
LED POLARITY CODE: A-正极性  
LED CODE: 2-左黄右绿, 7-左绿右黄

颜色码: 0:BLACK, Y:黄色114C, B:蓝色Hexachrome Cyan C

Input Pin Code: 3-8p8C, DIM A=3.0mm

Contact plating CODE: 1-GOLD FLASH, 8-3u" Au, A- 5u" Au, 7-15u" Au, 3-30u" Au

THESE DRAWINGS AND SPECIFICATIONS ARE THE PROPERTY OF GMA AND SHALL NOT BE REPRODUCED, COPIED OR IN ANY MANNER WITHOUT THE PRIOR WRITTEN CONSENT OF GMA

DIMENSION IN mm [Inch]	
TOLERANCE UNLESS OTHERWISE SPECIFIED	
.X± 0.35	X°± 3°
.XX± 0.25	.X°± 2°
.XXX± 0.15	.XX°± 1°
核准 APPROVE	审核 CHECK
ZILL	DDS

**GMA** 东莞市国满电子科技有限公司  
Dongguan Guoman Electronic Technology Co.,Ltd.

料号 FILE NO. **RJ114-AXX-300-XR** 图号 DWG NO. **C-RJ114-A3**

名称 TITLE **RJ45沉板3.0无弹带灯**

制图 DRAW	角法 PROJ.	图纸 SIZE A4
DOREN	比例 SCALE 1:1	张数 SHEET 1/1
	版次 REV C	