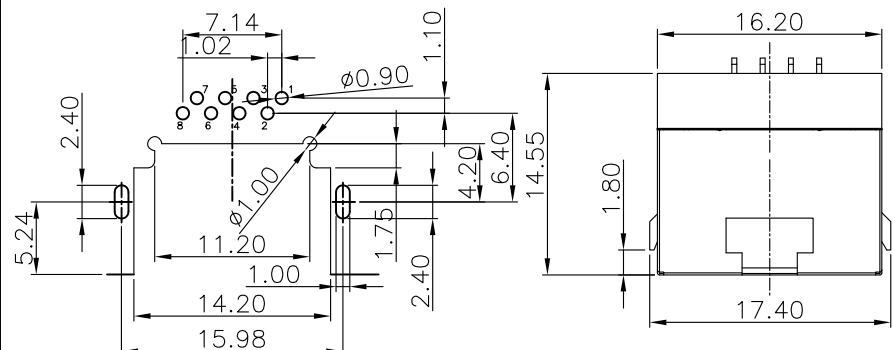
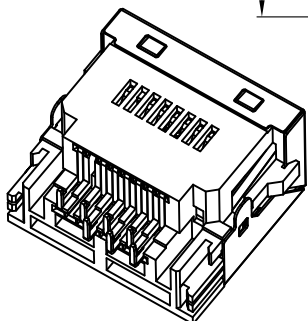
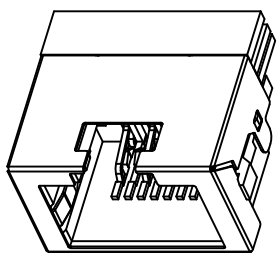
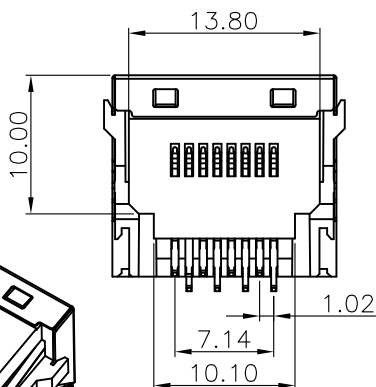
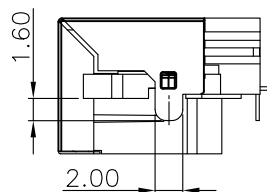
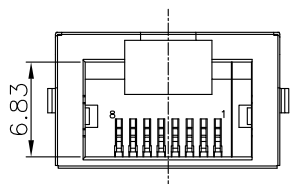
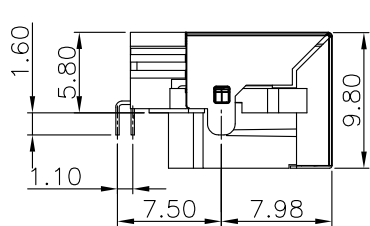


CUSTOMER DRAWING

版次 REV.	ECN编号 ECN NUMBER	设变内容 MODIFICATION	日期 DATE	制图 DRAW	核准 APPROVE
A		初版发行	21-MAR-14	DOREN	DDS



PCBLAYOUT T=1.2  
TOL:±0.05



NOTES

MATERIAL

- 1. HOUSING MATERIAL: THERMO PLASTICS UL94V-0 COLOR BLACK.
- 2. CONTACT MATERIAL : PHOSPHOR BRONZE T=0.25mm.  
: SELECT GOLD PLATING ON CONTACT AREA AND TIN PLATING ON SOLDER AREA OVER NICKEL.
- 3. SHIELD: STAINLESS T=0.20mm NI PLATING.
- 4. GASKET :SPCC T=0.40 NI PLATING.

MELECTRICAL

- 1. VOLTAGE RATING : 125 VAC RMS.
- 2. CURRENT RATING : 1.5 AMP.
- 3. CONTACT RESISTANCE : 40 MILLIOHMS MAX.
- 4. INSULATION RESISTANCE : 500 MEGOHMS MIN @ 100V DC .
- 5. DIELECTRIC DIELECTRIC RESISTANCE : 500V DC RMS 50Hz. 1MIN.

MECHANICAL

- 1. DURRABILITY : 750 CYCLES MIN.
- 2. MATING/UNMATING FORCE : 2.24 KG.F MAX.

ENVIRONMENTAL:

- 1. STORAGE : -40°C~+85°C.
- 2. OPERATION : -40°C~+85°C.

**RJ010-ZZX-F00-106A**  
 系列码 无弹 8P8C DIP  
 1:GOLD FLASH  
 3:3u"

8	✓
7	✓
6	RX-
5	✓
4	✓
3	RX+
2	TX-
1	TX+
PIN序 说明	

THESE DRAWINGS AND SPECIFICATIONS ARE THE PROPERTY OF GMA AND SHALL BE COPIED OR NOT BE REPRODUCED, CUED IN ANY MANNER WITHOUT THE PRIOR WRITTEN CONSENT OF GMA	DIMENSION IN mm [Inch]		<b>GMA</b> 东莞市国满电子科技有限公司 Dongguan Guoman Electronic Technology Co.,Ltd.	
	TOLERANCE UNLESS OTHERWISE SPECIFIED			
	.X± 0.35	X°± 3°	RJ010-ZZX-F00-106A	RJ106A-2
	.XX± 0.25 .X°± 2°		名称 TITLE	
.XXX± 0.15 .XX°± 1°		RJ45 沉板5.8 DIP有壳无灯		
核准 APPROVE	审核 CHECK	制图 DRAW	角法 PROJ.	图纸 SIZE A4
ZILL	DDS	DOREN	比例 SCALE 1:1 张数 SHEET 1/1	版次 REV A