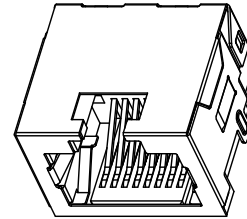
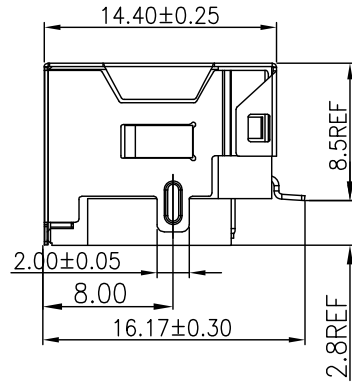
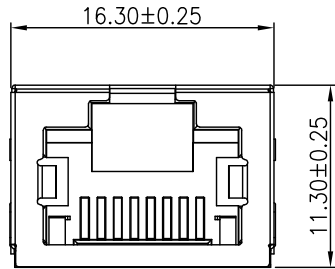


CUSTOMER DRAWING

版次 REV	ECN编号	设变内容 MODIFICATION	日期 DATE	制图 DRAW	核准 APPROVE
A		初版发行	01-MAR-17	DOREN	DDS



SPECIFICATION NOTES:

ELECTRICAL:

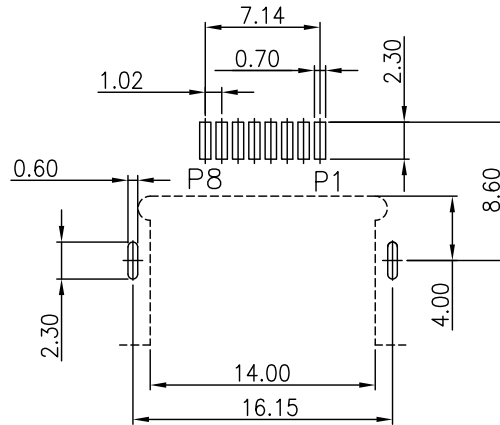
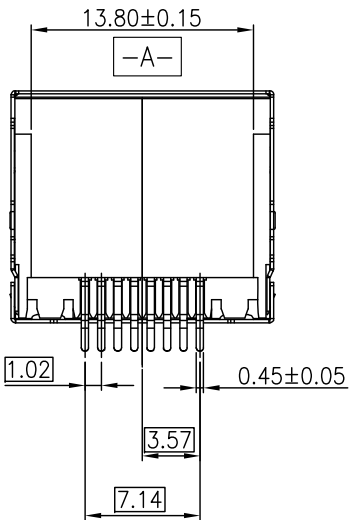
- VOLTAGE RATING: 125 VAC RMS
- CURRENT RATING: 1.5 AMP
- CONTACT RESISTANCE: 40mΩ MAX.
- INSULATION RESISTANCE: 500MΩ MIN. AT 100V DC.
- DIELECTRIC STRENGTH: 500 V DC OR AT 0.5mA 50 Hz / 60 Hz FOR 1MINUTE

MECHANICAL:

- HOUSING: LCP BLACK, UL 94V-0
 - CONTACT: PHOSPHOR BRONZE T=0.30MM
 - PLATING: GOLD PLATING AT CONTACT AREA, MATTE TIN AT TAIL 100U MIN., NICKEL 30U MIN. OVER ALL.
 - SHELL: BRASS T=0.20
 - OPERATING LIFE: 750 CYCLES MIN.
 - INSERTION FORCE : 20N MAX.
 - REMOVAL FORCE(WITHOUT PLUG LOCK) : 20N MAX.
- MATING/UNMATING FORCE: 30N/3.06KGf MAX.

ENVIRONMENTAL:

- STORAGE: -40°C TO +85°C RELATIVE HUMIDITY < 80%
- GUARANTEE PERIOD: 12 MONTHS
- OPERATION: -40°C TO +85°C
- MANUAL SOLDERING PARAMETERS: 24H IR TEMPERATURE: 260±5°C 5~10 SECONDS.



PCB LAYOUT
TOL: ±0.05

RJ010-ZZ1-B00-103
 系列码 无弹 无灯 8P8C SMT GOLD FLASH

THESE DRAWINGS AND SPECIFICATIONS ARE THE PROPERTY OF GMA AND SHALL NOT BE REPRODUCED OR COPIED IN ANY MANNER WITHOUT THE PRIOR WRITTEN CONSENT OF GMA

DIMENSION IN mm [Inch]		gma 东莞市国满电子科技有限公司 GMA TECHNOLOGY CO., LTD.	
TOLERANCE UNLESS OTHERWISE SPECIFIED		料号 FILE NO.	图号 DWG NO.
.X±0.38	X°.±3°	RJ010-ZZ1-B00-103	RJ103-2
.XX±0.25	.X°.±2°	名称 TITLE	
.XXX±0.20	.XX°.±1°	RJ45 沉板8.5 SMT 有壳无灯	
核准 APPROVE	审核 CHECK	制图 DRAW	角法 PROJ.
ZILL	DDS	DOREN	张数 SHEET 1/1
			比例 SCALE 1:1
			图纸 SIZE A4
			版次 REV A