

CUSTOMER DRAWING

LED electrical characteristic		
Node		
A1(+)	A2(-)	A1- ∇ A2
B1(+)	B2(-)	B1- ∇ B2

版次 REV.	ECN编号 ECN NUMBER	设变内容 MODIFICATION	日期 DATE	制图 DRAW	核准 APPROVE
A		初版发行	21-MAR-14	DOREN	DDS
B	ECN1908002	UPDATE ∇	20-AUG-19	DOREN	DDS

NOTES

MATERIAL

- HOUSING MATERIAL: THERMO PLASTICS UL94V-0 COLOR BLACK.
- CONTACT MATERIAL : PHOSPHOR BRONZE T=0.25mm.
: SELECT GOLD PLATING ON CONTACT AREA AND TIN PLATING ON SOLDER AREA OVER NICKEL.
- SHIELD: STAINLESS T=0.20mm NI PLATING.
- GASKET :SPCC T=0.40 NI PLATING.
- LED: TIN PLATING.

MELECTRICAL

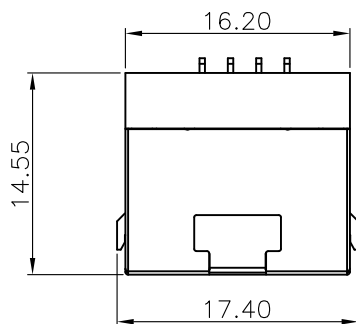
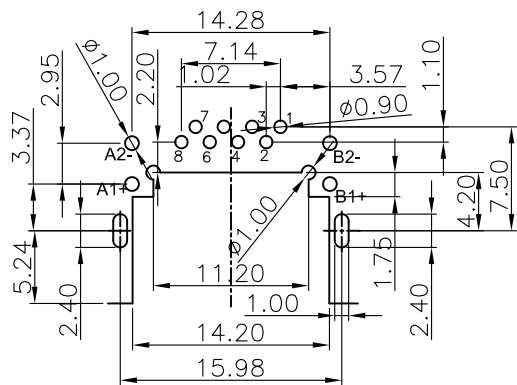
- VOLTAGE RATING : 125 VAC RMS.
- CURRENT RATING : 1.5 AMP.
- CONTACT RESISTANCE : 40 MILLIOHMS MAX.
- INSULATION RESISTANCE : 500 MEGOHMS MIN @ 100V DC .
- DIELECTRIC DIELECTRIC RESISTANCE : 500V DC RMS 50Hz. 1MIN.

MECHANICAL

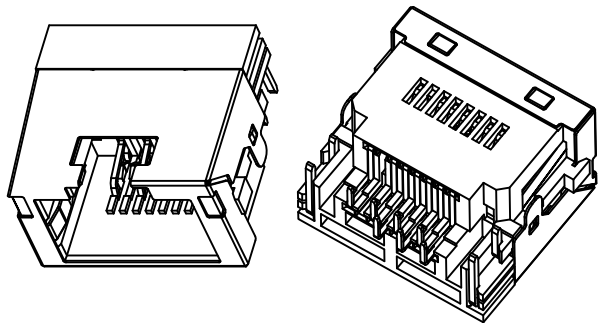
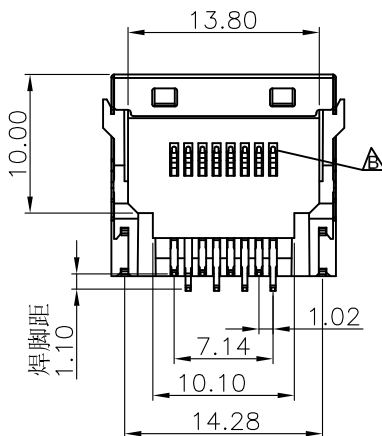
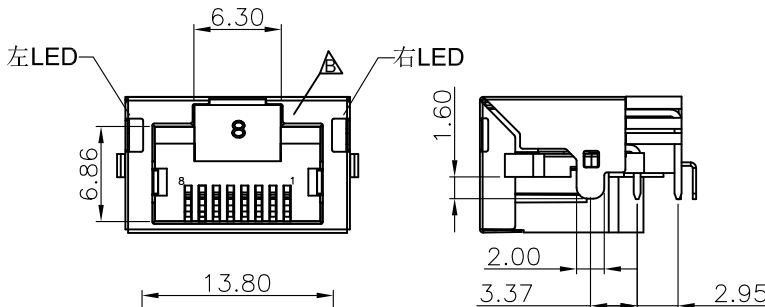
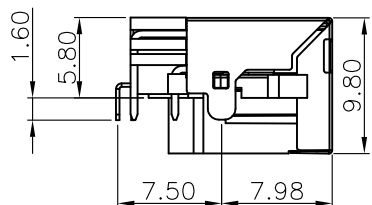
- DURABILITY : 750 CYCLES MIN.
- MATING/UNMATING FORCE : 2.24 KG.F MAX.

ENVIRONMENTAL:

- STORAGE : -40°C ~ +85°C.
- OPERATION : -40°C ~ +85°C.



PCBLAYOUT T=1.2
TOL:±0.05



RJ 0 10 - AX X - F 0 0 - 106A
系列码 无弹 A2:左黄右绿 A7:左绿右黄 AW:左绿右琥珀色
8P8C DIP
1:GOLD FLASH
3:3u"

8	✓
7	✓
6	RX-
5	✓
4	✓
3	RX+
2	TX-
1	TX+
PIN序说明	

THESE DRAWINGS AND SPECIFICATIONS ARE THE PROPERTY OF GMA AND SHALL BE COPIED OR NOT BE REPRODUCED, CUED IN ANY MANNER WITHOUT THE PRIOR WRITTEN CONSENT OF GMA	DIMENSION IN mm [Inch]		GMA 东莞市国满电子科技有限公司 Dongguan Guoman Electronic Technology Co.,Ltd.	
	TOLERANCE UNLESS OTHERWISE SPECIFIED		料号 FILE NO.	图号 DWG NO.
	.X± 0.35	X°± 3°	RJ010-AXX-F00-106A	RJ106A-1
	.XX± 0.25		名称 TITLE	
.XXX± 0.15		RJ45 沉板5.8 DIP带壳带灯		
核准 APPROVE	审核 CHECK	制图 DRAW	角法 PROJ.	图纸 SIZE A4
ZILL	DDS	DOREN	比例 SCALE 1:1 张数 SHEET 1/1	版次 REV B