

CUSTOMER DRAWING

焊脚尺寸以顺畅过孔规为准

版次 REV.	ECN编号 ECN NUMBER	设变内容 MODIFICATION	日期 DATE	制图 DRAW	核准 APPROVE
A		初版发行	18-JAN-18	DOREN	DDS

NOTES

MATERIAL

- 1. HOUSING MATERIAL : GLASS FILLED POLYESTER UL94V-0.
- 2. CONTACT MATERIAL : PHOSPHOR BRONZE $\phi 0.46\text{mm}$.
- 3. PLATING : GOLD FLASH PLATING OVER NICKEL.
- 4. SHIELD : 0.20mm THICKNESS COPPER ALLOY WITH NICKEL PLATED.

ELECTRICAL

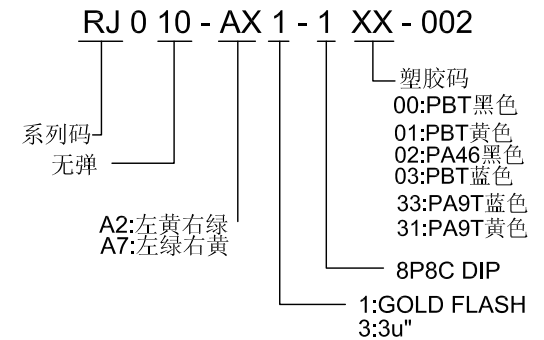
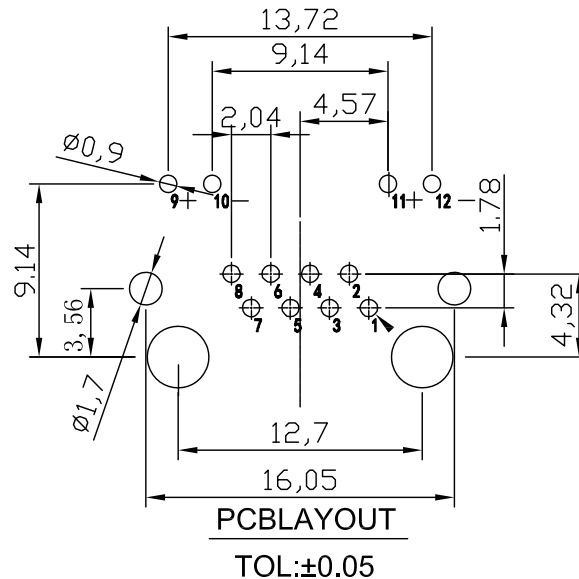
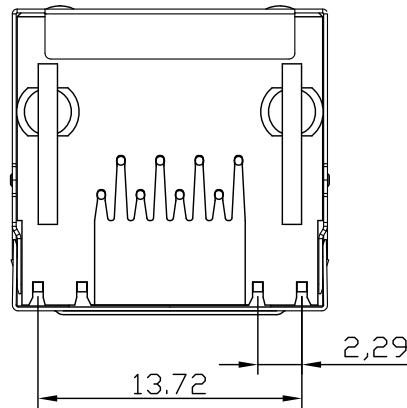
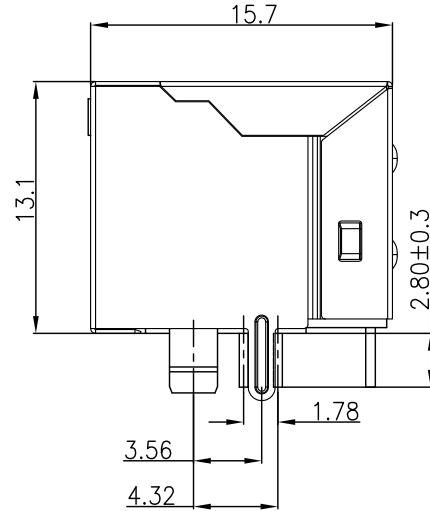
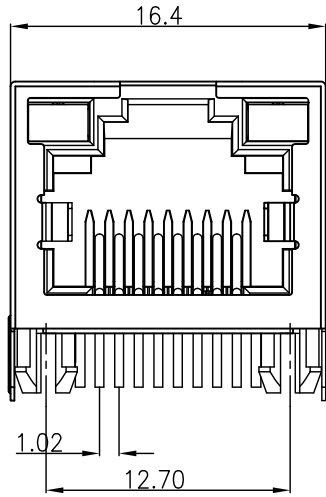
- 1. VOLTAGE RATING : 125 VAC RMS.
- 2. CURRENT RATING : 1.5 AMP.
- 3. CONTACT RESISTANCE : 40 MILLIOHMS MAX.
- 4. INSULATION RESISTANCE : 500 MEGOHMS MIN @ 100V DC .
- 5. DIELECTRIC DIELECTRIC RESISTANCE : 500V DC RMS 50Hz. 1MIN.

MECHANICAL

- 1. DURRABILITY : 750 CYCLES MIN.
- 2. MATING/UNMATING FORCE : 2.24 KG. F MAX.

ENVIRONMENTAL:

- 1. STORAGE : $-40^{\circ}\text{C} \sim +85^{\circ}\text{C}$.
- 2. OPERATION : $0^{\circ}\text{C TO } 70^{\circ}\text{C}$.



THESE DRAWINGS AND SPECIFICATIONS ARE THE PROPERTY OF GMA AND SHALL NOT BE REPRODUCED, COPIED OR IN ANY MANNER WITHOUT THE PRIOR WRITTEN CONSENT OF GMA

DIMENSION IN mm [Inch]		GMA 东莞市国满电子科技有限公司 Dongguan Guoman Electronic Technology Co.,Ltd.	
TOLERANCE UNLESS OTHERWISE SPECIFIED		料号 FILE NO.	图号 DWG NO.
.X± 0.35	X°± 3°	RJ010-AX1-1XX-002	RJ002-2
名称 TITLE			
RJ45 56 B型无弹带灯 DIP			
核准 APPROVE	审核 CHECK	制图 DRAW	角法 PROJ.
			比例 SCALE 1:1
			张数 SHEET 1/1
			版次 REV A