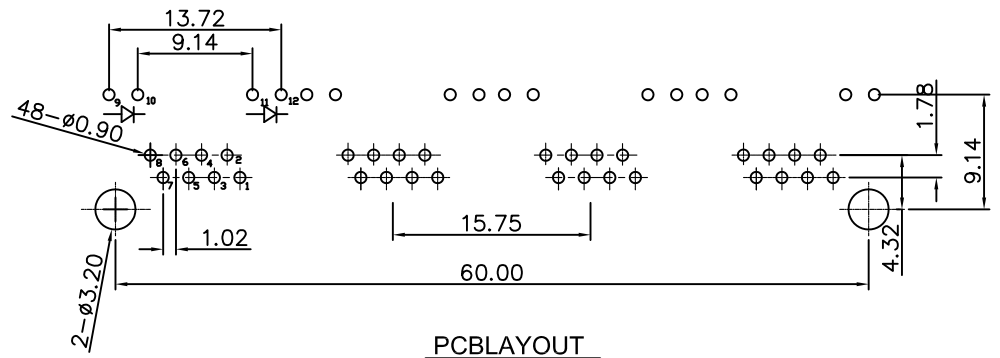
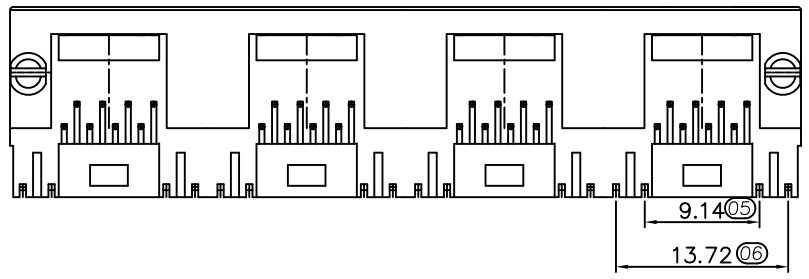
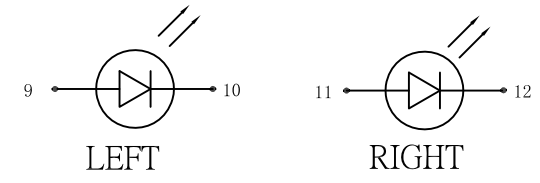
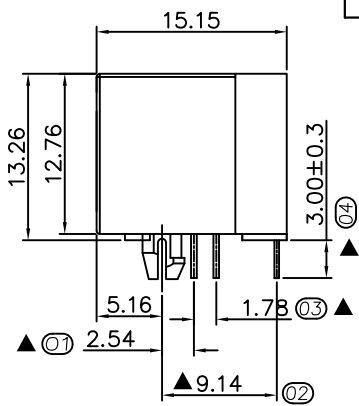
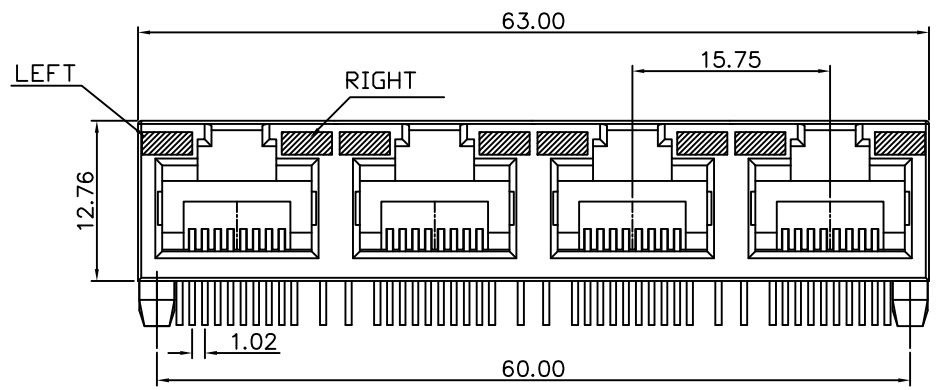


CUSTOMER DRAWING

版次 REV	ECN编号	设变内容 MODIFICATION	日期 DATE	制图 DRAW	核准 APPROVE
A		初版发行	27-SEP-17	DOREN	DDS



RB 0 00 - AX 1 - F XX - 001B

系列码 全塑

A2:左黄右绿
A7:左绿右黄
A8:左绿右绿

塑胶码
00:PBT黑色
01:PBT黄色
03:PBT蓝色
44:PA66黄色
21:PA46黑色

8P8C DIP
1:GOLD FLASH

- NOTES:
- ELECTRICAL:**
- VOLTAGE RATING : 125 VAC RMS.
 - CURRENT RATING : 1.5 AMP.
 - CONTACT RESISTANCE : 40 MILLIOHMS MAX.
 - INSULATION RESISTANCE : 500 MEGOHMS MIN @ 500 VDC.
 - DIELECTRIC STRENGTH : 500 VDC RMS 50Hz or 60Hz, 1MIN.
- MECHANICAL:**
- HOUSING & INSERT MATERIAL : PBT/PA46 UL94V-0.
 - CONTACT MATERIAL : ϕ 0.46 PHOSPHOR BRONZE GOLD PLATING OVER NICKEL.
 - MATING/UNMATING FORCE : 2.2KG, F MAX.
 - RETENTION STRENGTH : 7.7KG, F MIN BETWEEN JACK AND PLUG.
 - OPERATING LIFE : 750 CYCLES MIN.
- ENVIRONMENTAL:**
- STORAGE : -10°C ~ +40°C RELATIVE HUMIDITY<70%.
 - OPERATION : -40°C ~ +70°C.

THESE DRAWINGS AND SPECIFICATIONS ARE THE PROPERTY OF GMA AND SHALL BE COPIED OR NOT BE REPRODUCED, CUED IN ANY MANNER WITHOUT THE PRIOR WRITTEN CONSENT OF GMA.	DIMENSION IN mm [Inch]		gma 东莞市国满电子科技有限公司 GMA TECHNOLOGY CO., LTD.	
	TOLERANCE UNLESS OTHERWISE SPECIFIED		料号 FILE NO.	图号 DWG NO.
	.X± 0.35	X°± 3°	RB000-AX1-FXX-001B	RB001B-1
	.XX± 0.25	.X°± 2°	名称 TITLE	
	.XXX± 0.15	.XX°± 1°	5623 1X4全塑带灯	
核准 APPROVE	审核 CHECK	制图 DRAW	角法 PROJ.	张数 SHEET 1/1
			比例 SCALE 1:1	图纸 SIZE A4
				版次 REV A