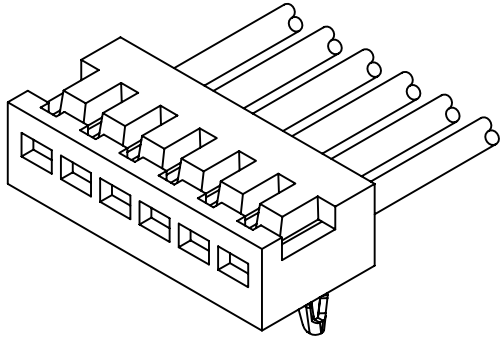


## Specifications

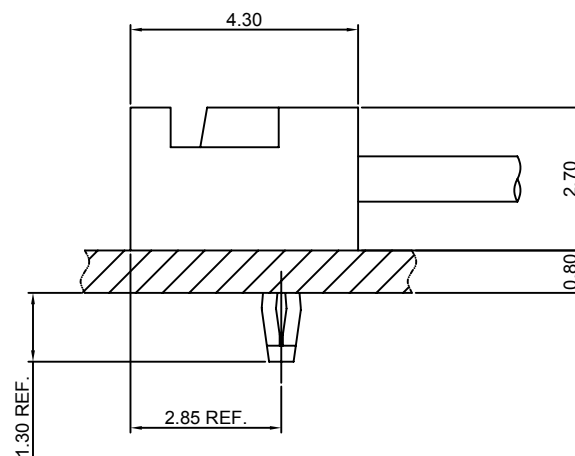
- Current rating:1A AC,DC
- Voltage rating:200V AC,DC
- Temperature range:-40°C~+105°C
- Contact resistance:20mΩMax.
- Insulation resistance:500MΩMin.
- Withstanding voltage:500V AC/minute
- \*Compliant with RoHS and REACH\*
- \*Meet the HF/Halogen Free,need to customize\*
- \*Contact CJT for details\*



## Standards



## Assembly layout





# B1501 SERIES

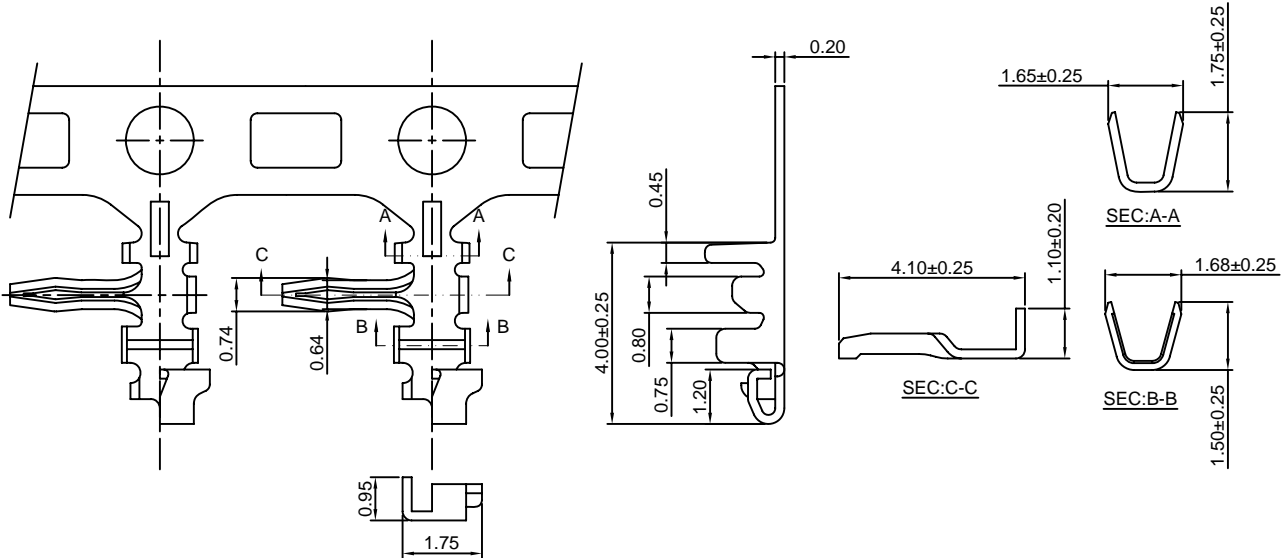
1.50mm pitch board-in connector

## B1501-T

1.50mm pitch Crimp Terminal

**Reference Informations:**

\*Used in CJT B1501H-XP series Housing



Ordering information & Specifications:

Unit:mm

Part NO.	Wire Range	Insulation O.D.	Material	Finish	Qty/reel
B1501-TP	AWG#28-#30	1.00mm(max)	Phosphor Bronze	Tin over Nickel	15,000 PCS
B1501-GP	AWG#28-#30	1.00mm(max)	Phosphor Bronze	Gold over Nickel	15,000 PCS

Optional Gold plating available but MOQ requested

## B1501H-XP

1.50mm pitch Housing

**Reference Informations:**

\*Material:Nylon 66,UL94V-0

\*Suitable CJT B1501-T series Terminal

\*Color:White

**Ordering Information:**

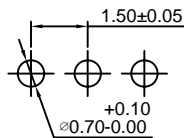
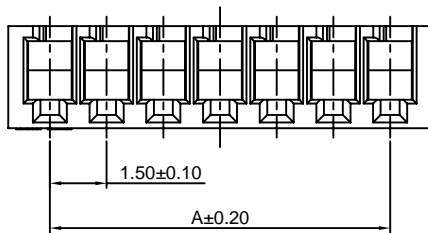
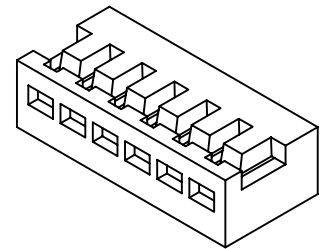
B1501H-XP - \*\*\*  
1 2

1.Part No.

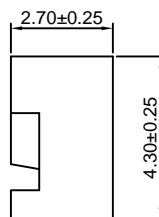
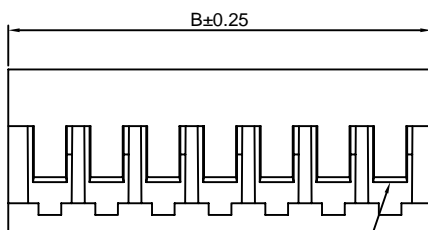
2.Material:

(blank):Nylon 66,UL94V-0

GWT:Nylon 66,UL94V-0,GWT 750°C



P.C.B LAYOUT



Circuit 1

**Ordering Information & Dimensions:**

PART NO.	Dimensions	
	A	B
2P	1.50	3.70
3P	3.00	5.20
4P	4.50	6.70
5P	6.00	8.20
6P	7.50	9.70
7P	9.00	11.20
8P	10.50	12.70
9P	12.00	14.20
10P	13.50	15.70
11P	15.00	17.20
12P	16.50	18.70
13P	18.00	20.20
14P	19.50	21.70
15P	21.00	23.20

Unit: mm