

CJT_{conn}

A2508 SERIES

2.50mm pitch wire to board and wire to wire connector

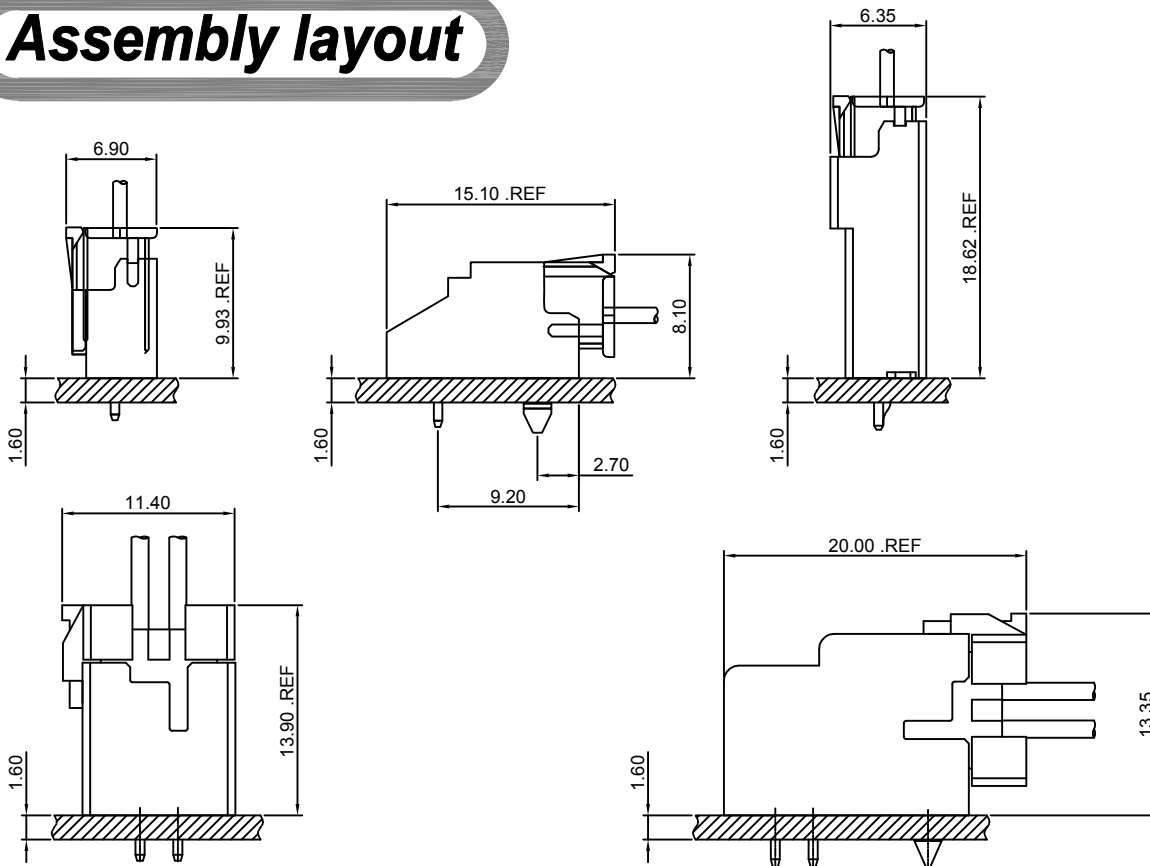
Specifications

- Current rating:3A AC,DC
- Voltage rating:250V AC,DC
- Temperature range:-40°C~+105°C
- Contact resistance:10mΩMax.
- Insulation resistance:1000MΩMin.
- Withstanding voltage:1000V AC/minute
- *Compliant with RoHS and REACH*
- *Meet the HF/Halogen Free,need to customize*
- *Contact CJT for details*

Standards



Assembly layout





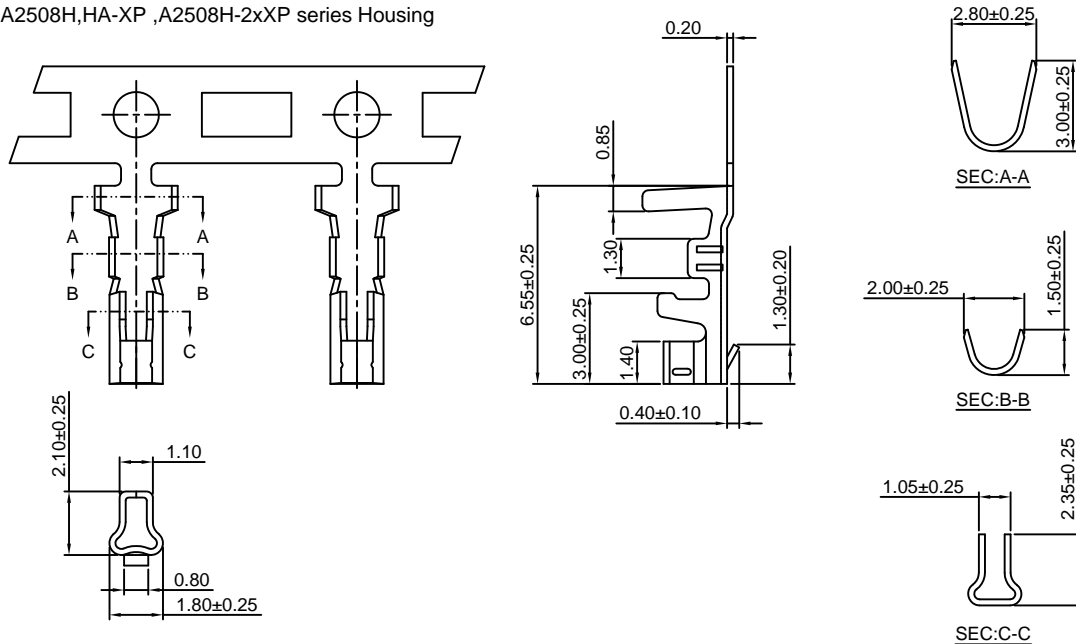
A2508 SERIES 2.50mm pitch wire to board and wire to wire connector

A2508-T

2.50mm Pitch Crimp Terminal

Reference Informations:

*Used in CJT A2508H,HA-XP ,A2508H-2xXP series Housing



Ordering information & Specifications:

Unit:mm

| Part NO | Wire Range | Insulation O.D. | Material | Finish | Qty/reel |
|----------|------------|-----------------|-----------------|------------------|------------|
| A2508-TP | AWG#22-#26 | 1.90mm(max) | Phosphor Bronze | Tin over Nickel | 10,000 PCS |
| A2508-GP | AWG#22-#26 | 1.90mm(max) | Phosphor Bronze | Gold over Nickel | 10,000 PCS |

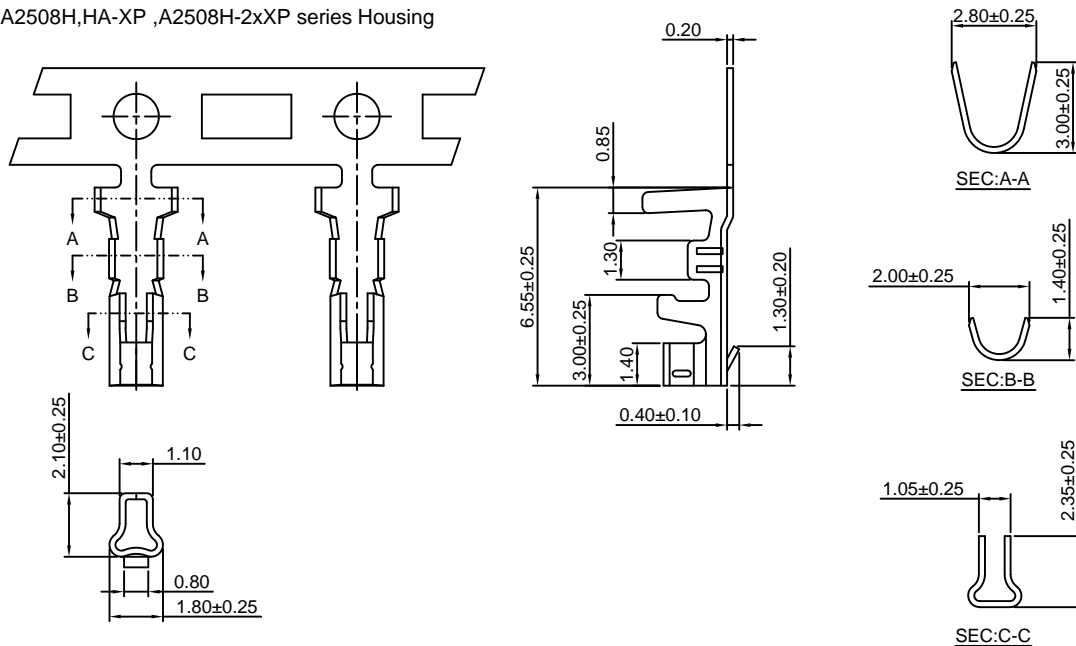
Optional Gold plating available but MOQ requested

A2508-T-L

2.50mm Pitch Crimp Terminal

Reference Informations:

*Used in CJT A2508H,HA-XP ,A2508H-2xXP series Housing



Ordering information & Specifications:

Unit:mm

| Part NO | Wire Range | Insulation O.D. | Material | Finish | Qty/reel |
|------------|------------|-----------------|-----------------|------------------|------------|
| A2508-TP-L | AWG#22-#28 | 1.90mm(max) | Phosphor Bronze | Tin over Nickel | 10,000 PCS |
| A2508-GP-L | AWG#22-#28 | 1.90mm(max) | Phosphor Bronze | Gold over Nickel | 10,000 PCS |

Optional Gold plating available but MOQ requested



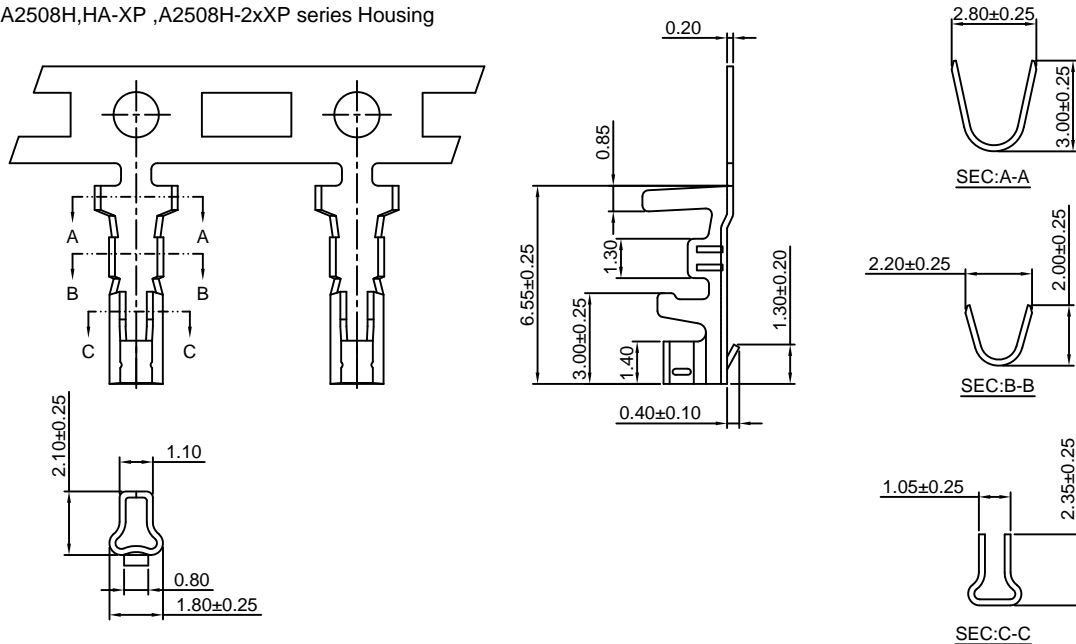
A2508 SERIES 2.50mm pitch wire to board and wire to wire connector

A2508-T-H

2.50mm Pitch Crimp Terminal

Reference Informations:

*Used in CJT A2508H,HA-XP ,A2508H-2xXP series Housing



Ordering information & Specifications:

Unit:mm

| Part NO | Wire Range | Insulation O.D. | Material | Finish | Qty/reel |
|------------|------------|-----------------|-----------------|------------------|------------|
| A2508-TP-H | AWG#20-#24 | 1.90mm(max) | Phosphor Bronze | Tin over Nickel | 10,000 PCS |
| A2508-GP-H | AWG#20-#24 | 1.90mm(max) | Phosphor Bronze | Gold over Nickel | 10,000 PCS |

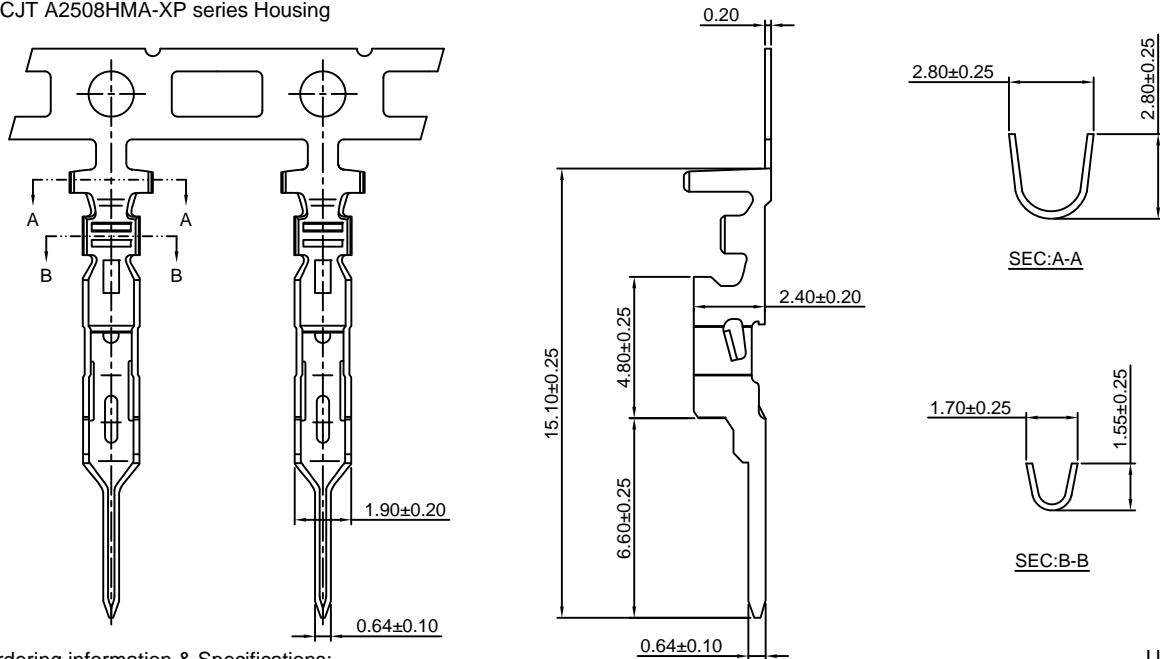
Optional Gold plating available but MOQ requested

A2508M-T

2.50mm Pitch Crimp Terminal

Reference Informations:

*Used in CJT A2508HMA-XP series Housing



Ordering information & Specifications:

Unit:mm

| Part NO | Wire Range | Insulation O.D. | Material | Finish | Qty/reel |
|-----------|------------|-----------------|-----------------|------------------|-----------|
| A2508M-TP | AWG#22-#28 | 1.90mm(max) | Phosphor Bronze | Tin over Nickel | 7,000 PCS |
| A2508M-GP | AWG#22-#28 | 1.90mm(max) | Phosphor Bronze | Gold over Nickel | 7,000 PCS |

Optional Gold plating available but MOQ requested



A2508 SERIES 2.50mm pitch wire to board and wire to wire connector

A2508H-XP

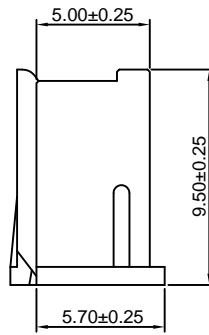
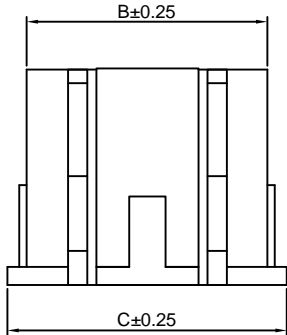
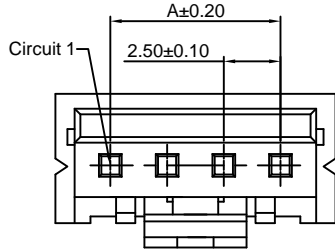
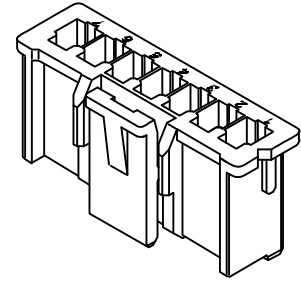
2.50mm Pitch Housing

Reference Informations:

- *Material:Nylon 66,UL94V-0
- *Suitable CJT A2508-T series Terminal
- *Mates with CJT A2508WV,WV-F-XP(-H), A2508WR,WR-F-XP,A2508WV-S-XP,A2508WVT-XP(-H), A2508WVT-F-XP(-H) series Wafer
- *Color:White

Ordering Information:

- A2508H-XP - *** - **
 1 2 3
- Part No.
 - Material:
 (blank):Nylon 66,UL94V-0
 GWT:Nylon 66,UL94V-0,GWT 750°C
 - Color:
 (Blank):White
 RD:Red
 YL:Yellow
 BL:Blue
 BK:Black
 GN:Green
 IV:Ivory
 LE:Light blue
 OR:Orange
 GY:Gray
 PK:Pink
 BR:Brown
 VI:Violet
 LY:Lemon yellow
 VY:Vivid yellow



Ordering Information & Dimensions:

| PART NO. | Dimensions | | |
|----------|------------|-------|-------|
| | A | B | C |
| 2P | 2.50 | 5.64 | 7.30 |
| 3P | 5.00 | 8.14 | 9.80 |
| 4P | 7.50 | 10.64 | 12.30 |
| 5P | 10.00 | 13.14 | 14.80 |
| 6P | 12.50 | 15.64 | 17.30 |
| 7P | 15.00 | 18.14 | 19.80 |
| 8P | 17.50 | 20.64 | 22.30 |
| 9P | 20.00 | 23.14 | 24.80 |
| 10P | 22.50 | 25.64 | 27.30 |
| 11P | 25.00 | 28.14 | 29.80 |
| 12P | 27.50 | 30.64 | 32.30 |
| 13P | 30.00 | 33.14 | 34.80 |
| 14P | 32.50 | 35.64 | 37.30 |
| 15P | 35.00 | 38.14 | 39.80 |

Unit: mm

A2508HA-XP

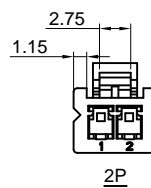
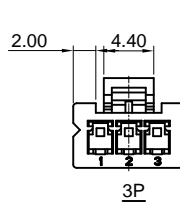
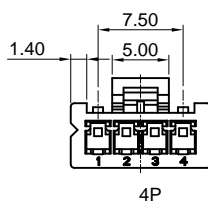
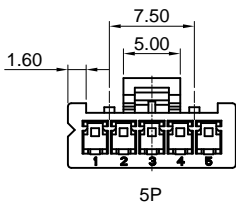
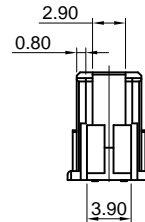
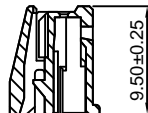
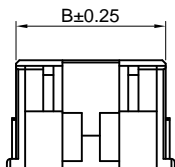
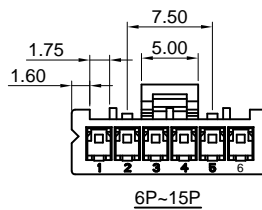
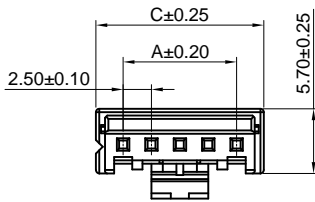
2.50mm Pitch Housing

Reference Informations:

- *Material:Nylon 66,UL94V-0
- *Suitable CJT A2508-T series Terminal
- *Mates with CJT A2508HMA-XP series Housing and A2508SA-XP series Seal and A2508WV,WV-F-XP(-H),A2508WR,WR-F-XP,A2508WV-S-XP, A2508WVT-XP(-H),A2508WVT-F-XP(-H) series Wafer
- *Color:White

Ordering Information:

- A2508HA-XP - *** - **
 1 2 3
- Part No.
 - Material:
 (blank):Nylon 66,UL94V-0
 GWT:Nylon 66,UL94V-0 , GWT 750°C
 - Color:
 (blank) : White
 BK:Black
 RD:Red
 BL:Blue
 LY:Lemon yellow



Ordering Information & Dimensions:

| PART NO. | Dimensions | | |
|----------|------------|-------|-------|
| | A | B | C |
| 2P | 2.50 | 5.70 | 7.30 |
| 3P | 5.00 | 8.20 | 9.80 |
| 4P | 7.50 | 10.70 | 12.30 |
| 5P | 10.00 | 13.20 | 14.80 |
| 6P | 12.50 | 15.70 | 17.30 |
| 7P | 15.00 | 18.20 | 19.80 |
| 8P | 17.50 | 20.70 | 22.30 |
| 9P | 20.00 | 23.20 | 24.80 |
| 10P | 22.50 | 25.70 | 27.30 |
| 11P | 25.00 | 28.20 | 29.80 |
| 12P | 27.50 | 30.70 | 32.30 |
| 13P | 30.00 | 33.20 | 34.80 |
| 14P | 32.50 | 35.70 | 37.30 |
| 15P | 35.00 | 38.20 | 39.80 |

Unit: mm



A2508 SERIES 2.50mm pitch wire to board and wire to wire connector

A2508HMA-XP

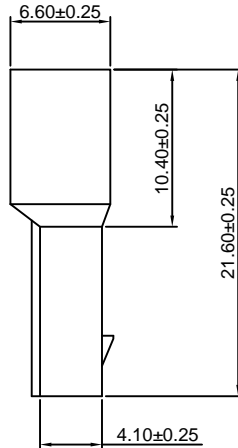
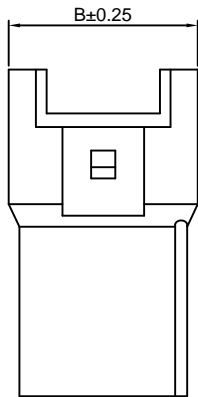
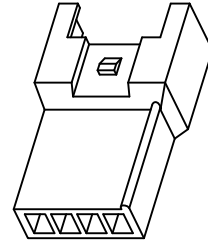
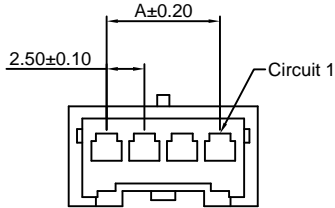
2.50mm Pitch Housing

Reference Informations:

- *Material:Nylon 66,UL94V-0
- *Suitable CJT A2508M-T series Terminal
- *Mates with CJT A2508H,HA-XP series Housing
- *Color:White

Ordering Information:

- A2508HMA-XP - *** - **
 1 2 3
- 1.Part No.
 - 2.Material:
 (blank):Nylon 66,UL94V-0
 GWT:Nylon 66,UL94V-0 ,GWT 750°C
 - 3.Color:
 (Blank):White OR:Orange
 RD:Red GY:Gray
 YL:Yellow PK:Pink
 BL:Blue BR:Brown
 GN:Green VI:Violet



Ordering Information & Dimensions:

| PART NO. | Dimensions | |
|----------|------------|-------|
| | A | B |
| 2P | 2.50 | 7.50 |
| 3P | 5.00 | 10.00 |
| 4P | 7.50 | 12.50 |
| 5P | 10.00 | 15.00 |
| 6P | 12.50 | 17.50 |
| 7P | 15.00 | 20.00 |
| 8P | 17.50 | 22.50 |
| 9P | 20.00 | 25.00 |
| 10P | 22.50 | 27.50 |
| 11P | 25.00 | 30.00 |
| 12P | 27.50 | 32.50 |
| 13P | 30.00 | 35.00 |
| 14P | 32.50 | 37.50 |
| 15P | 35.00 | 40.00 |

Unit: mm

A2508SA-XP

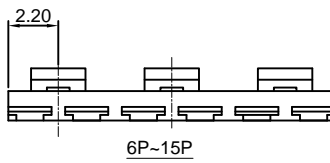
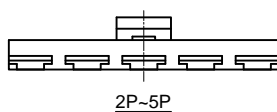
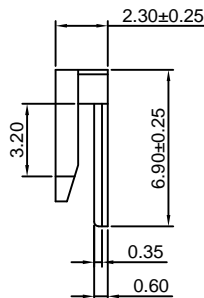
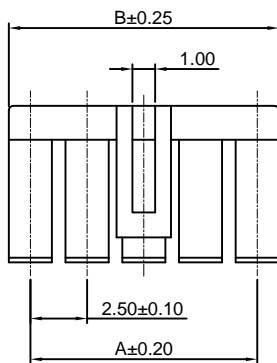
2.50mm Pitch Seal

Reference Informations:

- *Material:Nylon 66,UL94V-0
- *Mates with CJT A2508HA-XP series Housing
- *Color:Ivory

Ordering Information:

- A2508SA-XP - ***
 1 2
- 1.Part No.
 - 2.Material:
 (blank):Nylon 66,UL94V-0
 GWT:Nylon 66,UL94V-0 ,GWT 750°C



Ordering Information & Dimensions:

| PART NO. | Dimensions | |
|----------|------------|-------|
| | A | B |
| 2P | 2.50 | 4.40 |
| 3P | 5.00 | 6.90 |
| 4P | 7.50 | 9.40 |
| 5P | 10.00 | 11.90 |
| 6P | 12.50 | 14.40 |
| 7P | 15.00 | 16.90 |
| 8P | 17.50 | 19.40 |
| 9P | 20.00 | 21.90 |
| 10P | 22.50 | 24.40 |
| 11P | 25.00 | 26.90 |
| 12P | 27.50 | 29.40 |
| 13P | 30.00 | 31.90 |
| 14P | 32.50 | 34.40 |
| 15P | 35.00 | 36.90 |

Unit: mm



A2508 SERIES 2.50mm pitch wire to board and wire to wire connector

A2508WV-XP

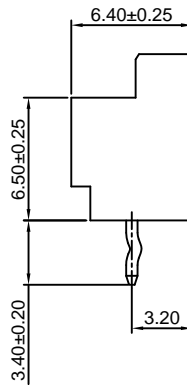
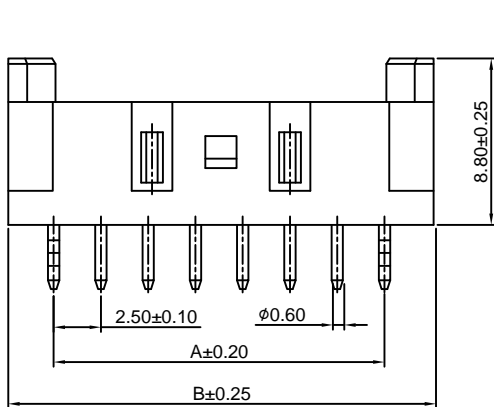
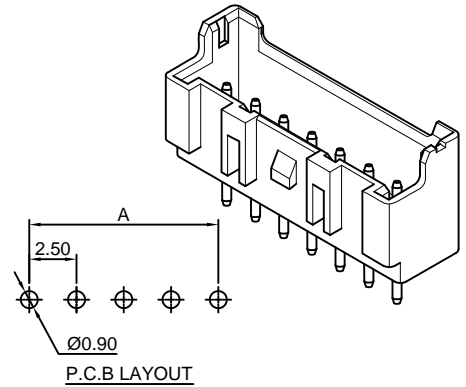
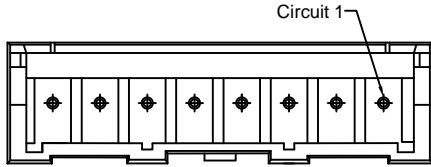
2.50mm Pitch 180° Wafer

Reference Informations:

- *Material: Pin: Brass/Tin over Nickel
Insulator: Nylon 66, UL94V-0
- *Mates with CJT A2508H, HA-XP series Housing
- *Color: Ivory

Ordering Information:

- A2508WV-XP - *** - ** - ****
1. Part No.
2. Material:
(blank): Nylon 66, UL94V-0
GWT: Nylon 66, UL94V-0, GWT 750°C
3. Color:
(Blank): Ivory
RD: Red
YL: Yellow
BL: Blue
BK: Black
GN: Green
WH: White
LE: Light blue
OR: Orange
GY: Gray
PK: Pink
BR: Brown
VI: Violet
LY: Lemon yellow
VY: Vivid yellow
4. Finish:
(blank): Tin over Nickel
G: Gold over Nickel



Ordering Information & Dimensions:

| PART NO. | Dimensions | |
|----------|------------|-------|
| | A | B |
| 2P | 2.50 | 7.50 |
| 3P | 5.00 | 10.00 |
| 4P | 7.50 | 12.50 |
| 5P | 10.00 | 15.00 |
| 6P | 12.50 | 17.50 |
| 7P | 15.00 | 20.00 |
| 8P | 17.50 | 22.50 |
| 9P | 20.00 | 25.00 |
| 10P | 22.50 | 27.50 |
| 11P | 25.00 | 30.00 |
| 12P | 27.50 | 32.50 |
| 13P | 30.00 | 35.00 |
| 14P | 32.50 | 37.50 |
| 15P | 35.00 | 40.00 |

Unit: mm

A2508WR-XP

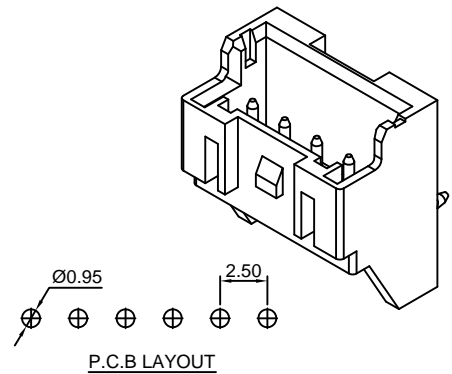
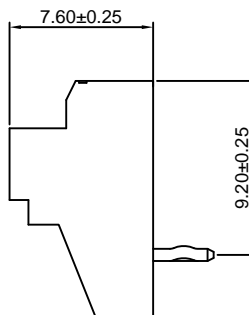
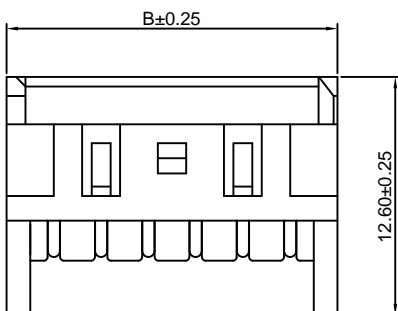
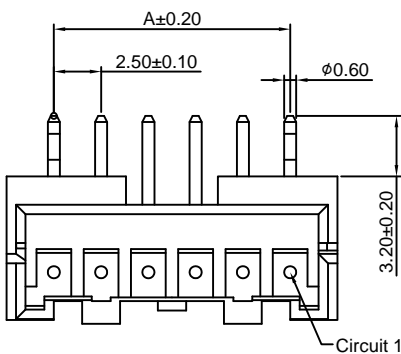
2.50mm Pitch 90° Wafer

Reference Informations:

- *Material: Pin: Brass/Tin over Nickel
Insulator: Nylon 66, UL94V-0
- *Mates with CJT A2508H, HA-XP series Housing
- *Color: Ivory

Ordering Information:

- A2508WR-XP - *** - ** - ****
1. Part No.
2. Material:
(blank): Nylon 66, UL94V-0
GWT: Nylon 66, UL94V-0, GWT 750°C
3. Color:
(Blank): Ivory
RD: Red
YL: Yellow
BL: Blue
BK: Black
GN: Green
WH: White
LE: Light blue
OR: Orange
GY: Gray
PK: Pink
BR: Brown
VI: Violet
LY: Lemon yellow
VY: Vivid yellow
4. Finish:
(blank): Tin over Nickel
G: Gold over Nickel



Ordering Information & Dimensions:

| PART NO. | Dimensions | |
|----------|------------|-------|
| | A | B |
| 2P | 2.50 | 7.50 |
| 3P | 5.00 | 10.00 |
| 4P | 7.50 | 12.50 |
| 5P | 10.00 | 15.00 |
| 6P | 12.50 | 17.50 |
| 7P | 15.00 | 20.00 |
| 8P | 17.50 | 22.50 |
| 9P | 20.00 | 25.00 |
| 10P | 22.50 | 27.50 |
| 11P | 25.00 | 30.00 |
| 12P | 27.50 | 32.50 |
| 13P | 30.00 | 35.00 |
| 14P | 32.50 | 37.50 |
| 15P | 35.00 | 40.00 |

Unit: mm



A2508 SERIES 2.50mm pitch wire to board and wire to wire connector

A2508WV-F-XP

2.50mm Pitch 180° Wafer

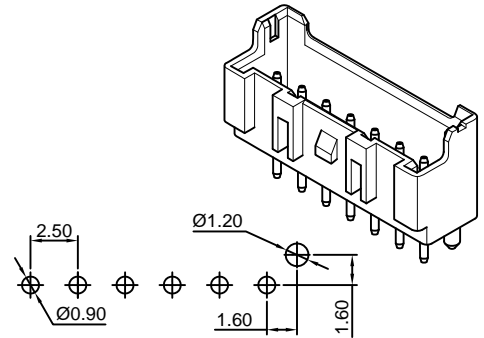
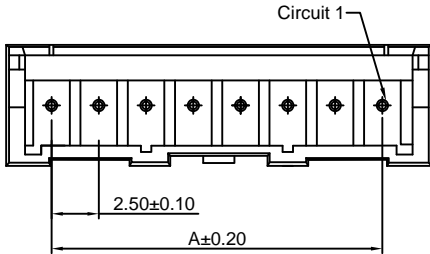
Reference Informations:

- *Material: Pin: Brass/Tin over Nickel
Insulator: Nylon 66, UL94V-0
- *Mates with CJT A2508H, HA-XP series Housing
- *Color: Ivory

Ordering Information:

A2508WV-F-XP - *** - ** - **
1 2 3 4

1. Part No.
2. Material:
(blank): Nylon 66, UL94V-0
GWT: Nylon 66, UL94V-0, GWT 750 °C
3. Color:
(Blank): Ivory
RD: Red
YL: Yellow
BL: Blue
BK: Black
GN: Green
WH: White
LE: Light blue
OR: Orange
GY: Gray
PK: Pink
BR: Brown
VI: Violet
LY: Lemon yellow
VY: Vivid yellow
4. Finish:
(blank): Tin over Nickel
G: Gold over Nickel

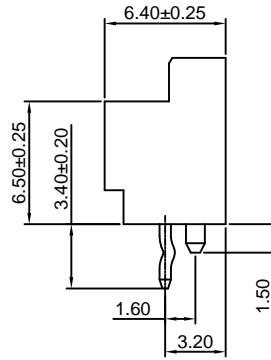
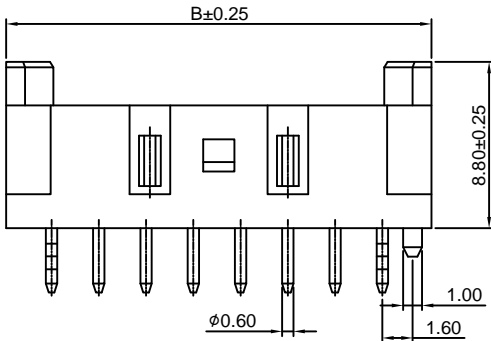


P.C.B LAYOUT

Ordering Information & Dimensions:

| PART NO. | Dimensions | |
|----------|------------|-------|
| | A | B |
| 2P | 2.50 | 7.50 |
| 3P | 5.00 | 10.00 |
| 4P | 7.50 | 12.50 |
| 5P | 10.00 | 15.00 |
| 6P | 12.50 | 17.50 |
| 7P | 15.00 | 20.00 |
| 8P | 17.50 | 22.50 |
| 9P | 20.00 | 25.00 |
| 10P | 22.50 | 27.50 |
| 11P | 25.00 | 30.00 |
| 12P | 27.50 | 32.50 |
| 13P | 30.00 | 35.00 |
| 14P | 32.50 | 37.50 |
| 15P | 35.00 | 40.00 |

Unit: mm



A2508WR-F-XP

2.50mm Pitch 90° Wafer

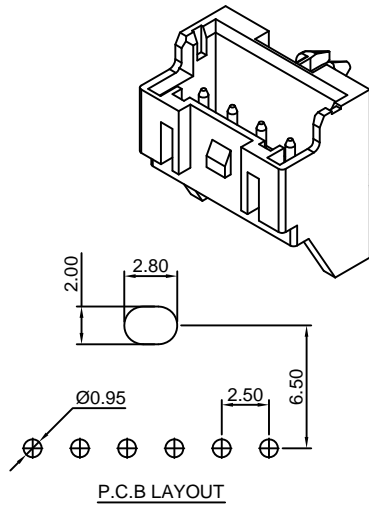
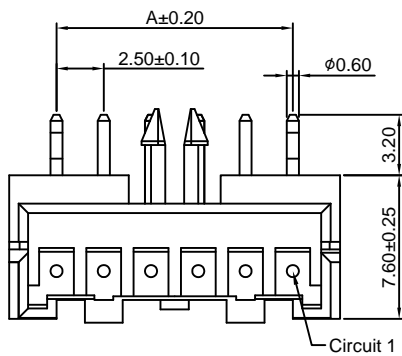
Reference Informations:

- *Material: Pin: Brass/Tin over Nickel
Insulator: Nylon 66, UL94V-0
- *Mates with CJT A2508H, HA-XP series Housing
- *Color: Ivory

Ordering Information:

A2508WR-F-XP - *** - ** - **
1 2 3 4

1. Part No.
2. Material:
(blank): Nylon 66, UL94V-0
GWT: Nylon 66, UL94V-0, GWT 750 °C
3. Color:
(Blank): Ivory
RD: Red
YL: Yellow
BL: Blue
BK: Black
GN: Green
WH: White
LE: Light blue
OR: Orange
GY: Gray
PK: Pink
BR: Brown
VI: Violet
LY: Lemon yellow
VY: Vivid yellow
4. Finish:
(blank): Tin over Nickel
G: Gold over Nickel

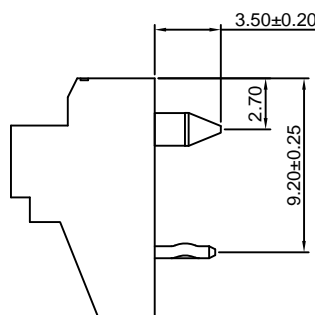
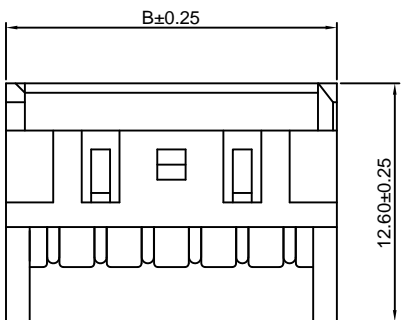


P.C.B LAYOUT

Ordering Information & Dimensions:

| PART NO. | Dimensions | |
|----------|------------|-------|
| | A | B |
| 2P | 2.50 | 7.50 |
| 3P | 5.00 | 10.00 |
| 4P | 7.50 | 12.50 |
| 5P | 10.00 | 15.00 |
| 6P | 12.50 | 17.50 |
| 7P | 15.00 | 20.00 |
| 8P | 17.50 | 22.50 |
| 9P | 20.00 | 25.00 |
| 10P | 22.50 | 27.50 |
| 11P | 25.00 | 30.00 |
| 12P | 27.50 | 32.50 |
| 13P | 30.00 | 35.00 |
| 14P | 32.50 | 37.50 |
| 15P | 35.00 | 40.00 |

Unit: mm





A2508 SERIES 2.50mm pitch wire to board and wire to wire connector

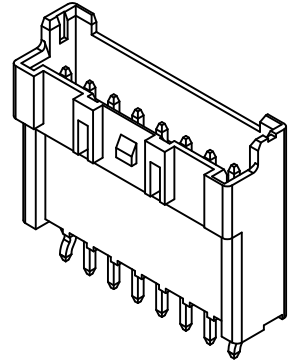
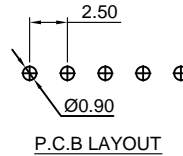
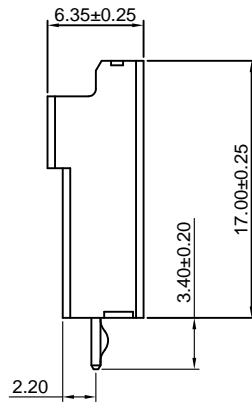
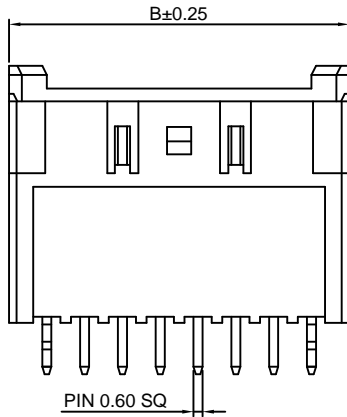
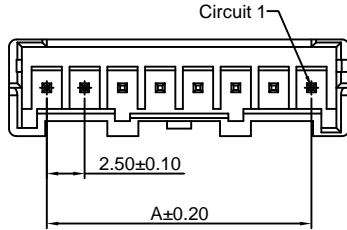
A2508WV-XP-H

2.50mm Pitch 180° Wafer-High box type

Reference Informations:

- *Material: Pin: Brass/Tin over Nickel
Insulator: Nylon 66, UL94V-0
- *Mates with CJT A2508H, HA-XP series Housing
- *Color: Ivory

- Ordering Information:
A2508WV-XP-H - *** - ** - **
1 2 3 4
1. Part No.
 2. Material:
(blank): Nylon 66, UL94V-0
GWT: Nylon 66, UL94V-0, GWT 750°C
 3. Color:
(blank): Ivory
BK: Black
RD: Red
YL: Yellow
GN: Green
 4. Finish:
(blank): Tin over Nickel
G: Gold over Nickel



Ordering Information & Dimensions:

| PART NO. | Dimensions | |
|----------|------------|-------|
| | A | B |
| 2P | 2.50 | 7.50 |
| 3P | 5.00 | 10.00 |
| 4P | 7.50 | 12.50 |
| 5P | 10.00 | 15.00 |
| 6P | 12.50 | 17.50 |
| 7P | 15.00 | 20.00 |
| 8P | 17.50 | 22.50 |
| 9P | 20.00 | 25.00 |
| 10P | 22.50 | 27.50 |
| 11P | 25.00 | 30.00 |
| 12P | 27.50 | 32.50 |
| 13P | 30.00 | 35.00 |
| 14P | 32.50 | 37.50 |
| 15P | 35.00 | 40.00 |

Unit: mm

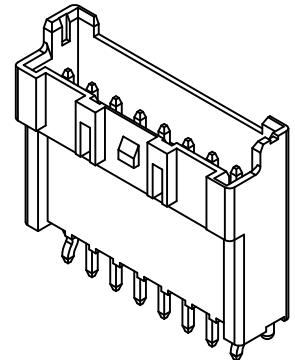
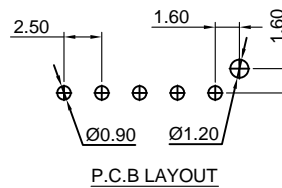
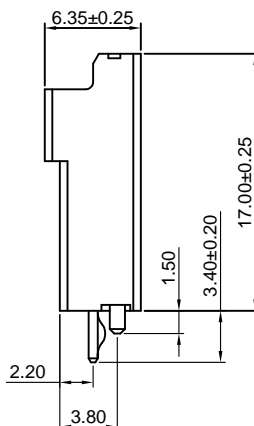
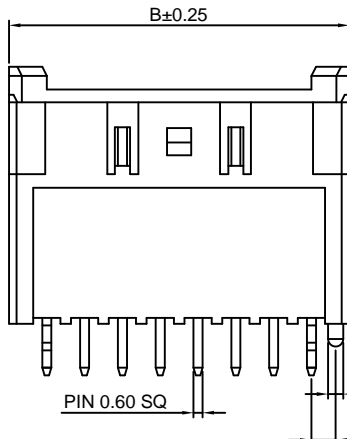
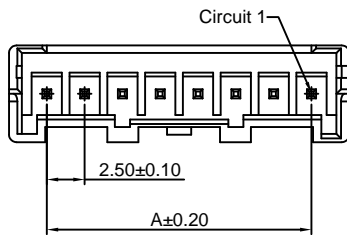
A2508WV-F-XP-H

2.50mm Pitch 180° Wafer-High box type

Reference Informations:

- *Material: Pin: Brass/Tin over Nickel
Insulator: Nylon 66, UL94V-0
- *Mates with CJT A2508H, HA-XP series Housing
- *Color: Ivory

- Ordering Information:
A2508WV-F-XP-H - *** - ** - **
1 2 3 4
1. Part No.
 2. Material:
(blank): Nylon 66, UL94V-0
GWT: Nylon 66, UL94V-0, GWT 750°C
 3. Color:
(blank): Ivory
BK: Black
RD: Red
YL: Yellow
GN: Green
 4. Finish:
(blank): Tin over Nickel
G: Gold over Nickel



Ordering Information & Dimensions:

| PART NO. | Dimensions | |
|----------|------------|-------|
| | A | B |
| 2P | 2.50 | 7.50 |
| 3P | 5.00 | 10.00 |
| 4P | 7.50 | 12.50 |
| 5P | 10.00 | 15.00 |
| 6P | 12.50 | 17.50 |
| 7P | 15.00 | 20.00 |
| 8P | 17.50 | 22.50 |
| 9P | 20.00 | 25.00 |
| 10P | 22.50 | 27.50 |
| 11P | 25.00 | 30.00 |
| 12P | 27.50 | 32.50 |
| 13P | 30.00 | 35.00 |
| 14P | 32.50 | 37.50 |
| 15P | 35.00 | 40.00 |

Unit: mm



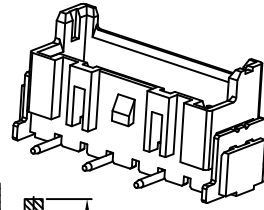
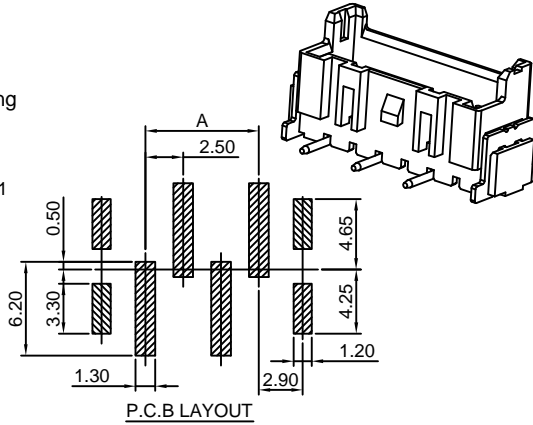
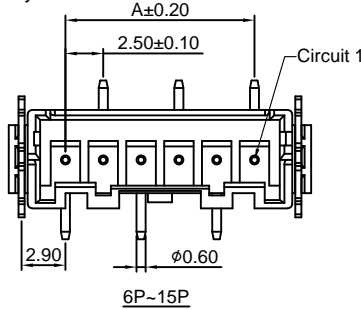
A2508 SERIES 2.50mm pitch wire to board and wire to wire connector

A2508WV-S-XP

2.50mm Pitch 180° Wafer - SMT TYPE

Reference Informations:

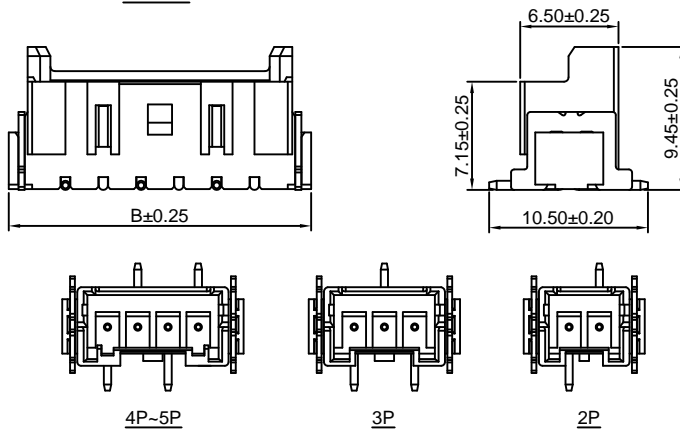
- *Material: Pin: Brass/Tin over Nickel
Insulator: Nylon 9T, UL94V-0
- *Mates with CJT A2508H, HA-XP series Housing
- *Color: Ivory



Ordering Information:

A2508WV-S-XP - *** - ** - **
1 2 3 4

1. Part No.
2. Material:
(blank): Nylon 66, UL94V-0
GWT: Nylon 66, UL94V-0, GWT 750°C
3. Color:
(Blank): Ivory
RD: Red OR: Orange
BL: Blue BK: Black
GN: Green LY: Lemon yellow
4. Finish:
(blank): Tin over Nickel
G: Gold over Nickel



Ordering Information & Dimensions:

| PART NO. | Dimensions | |
|----------|------------|-------|
| | A | B |
| 2P | 2.50 | 10.00 |
| 3P | 5.00 | 12.50 |
| 4P | 7.50 | 15.00 |
| 5P | 10.00 | 17.50 |
| 6P | 12.50 | 20.00 |
| 7P | 15.00 | 22.50 |
| 8P | 17.50 | 25.00 |
| 9P | 20.00 | 27.50 |
| 10P | 22.50 | 30.00 |
| 11P | 25.00 | 32.50 |
| 12P | 27.50 | 35.00 |
| 13P | 30.00 | 37.50 |
| 14P | 32.50 | 40.00 |
| 15P | 35.00 | 42.50 |

Unit: mm

A2508H-2xXP

2.50mm Pitch Dual Row Housing

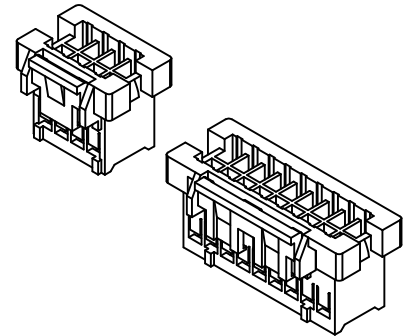
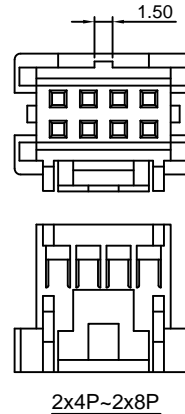
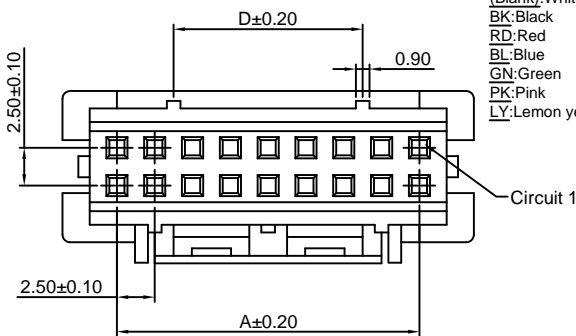
Reference Informations:

- *Material: Nylon 66, UL94V-0
- *Suitable CJT A2508-T series Terminal
- *Mates with CJT A2508WV, WV-F-2xXP series Wafer
- *Color: White

Ordering Information:

A2508H-2xXP - *** - **
1 2 3

1. Part No.
2. Material:
(blank): Nylon 66, UL94V-0
GWT: Nylon 66, UL94V-0, GWT 750°C
3. Color:
(Blank): White
BK: Black
RD: Red
BL: Blue
GN: Green
PK: Pink
LY: Lemon yellow



Ordering Information & Dimensions:

| PART NO. | Dimensions | | | |
|----------|------------|-------|-------|-------|
| | A | B | C | D |
| 2x4P | 7.50 | 14.70 | 9.10 | ---- |
| 2x5P | 10.00 | 17.20 | 7.50 | ---- |
| 2x6P | 12.50 | 19.70 | 10.00 | ---- |
| 2x7P | 15.00 | 22.20 | 12.50 | ---- |
| 2x8P | 17.50 | 24.70 | 15.00 | ---- |
| 2x9P | 20.00 | 27.20 | 15.00 | 12.50 |
| 2x10P | 22.50 | 29.70 | 17.50 | 15.00 |
| 2x11P | 25.00 | 32.20 | 20.00 | 17.50 |
| 2x12P | 27.50 | 34.70 | 22.50 | 20.00 |
| 2x13P | 30.00 | 37.20 | 25.00 | 22.50 |
| 2x14P | 32.50 | 39.70 | 27.50 | 25.00 |
| 2x15P | 35.00 | 42.20 | 30.00 | 27.50 |
| 2x16P | 37.50 | 44.70 | 32.50 | 30.00 |
| 2x17P | 40.00 | 47.20 | 35.00 | 32.50 |
| 2x18P | 42.50 | 49.70 | 37.50 | 35.00 |
| 2x19P | 45.00 | 52.20 | 40.00 | 37.50 |
| 2x20P | 47.50 | 54.70 | 42.50 | 40.00 |

Unit: mm



A2508 SERIES 2.50mm pitch wire to board and wire to wire connector

A2508WV(-F)-2xXP

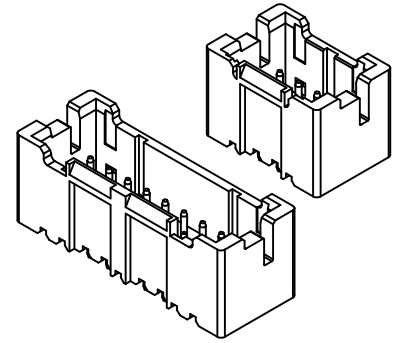
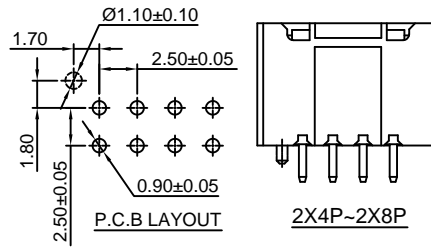
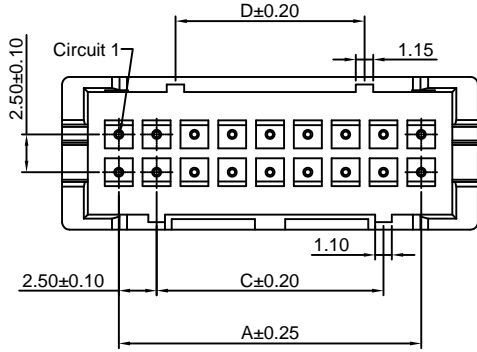
2.50mm Pitch Dual Row 180° Wafer

Reference Informations:

- *Material: Pin: Brass/Tin over Nickel
Insulator: Nylon 66, UL94V-0
- *Mates with CJT A2508H-2xXP series Housing
- *Color: Ivory

Ordering Information:
A2508WV(-F)-2xXP - *** - **
1 2 3

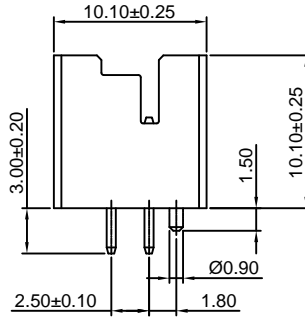
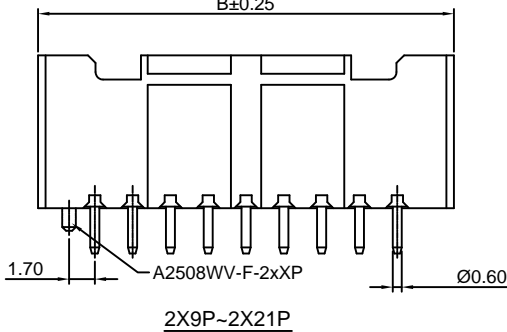
1. Part No.
2. Material:
(blank): Nylon 66, UL94V-0
GWT: Nylon 66, UL94V-0, GWT 750 °C
3. Color:
(Blank): White
BK: Black
RD: Red
BL: Blue
GN: Green
PK: Pink
LY: Lemon yellow



Ordering Information & Dimensions:

| PART NO. | Dimensions | | | |
|----------|------------|-------|-------|-------|
| | A | B | C | D |
| 2x4P | 7.50 | 14.70 | 9.10 | ---- |
| 2x5P | 10.00 | 17.20 | 7.50 | ---- |
| 2x6P | 12.50 | 19.70 | 10.00 | ---- |
| 2x7P | 15.00 | 22.20 | 12.50 | ---- |
| 2x8P | 17.50 | 24.70 | 15.00 | ---- |
| 2x9P | 20.00 | 27.20 | 15.00 | 12.50 |
| 2x10P | 22.50 | 29.70 | 17.50 | 15.00 |
| 2x11P | 25.00 | 32.20 | 20.00 | 17.50 |
| 2x12P | 27.50 | 34.70 | 22.50 | 20.00 |
| 2x13P | 30.00 | 37.20 | 25.00 | 22.50 |
| 2x14P | 32.50 | 39.70 | 27.50 | 25.00 |
| 2x15P | 35.00 | 42.20 | 30.00 | 27.50 |
| 2x16P | 37.50 | 44.70 | 32.50 | 30.00 |
| 2x17P | 40.00 | 47.20 | 35.00 | 32.50 |
| 2x18P | 42.50 | 49.70 | 37.50 | 35.00 |
| 2x19P | 45.00 | 52.20 | 40.00 | 37.50 |
| 2x20P | 47.50 | 54.70 | 42.50 | 40.00 |

Unit: mm



A2508WR-F-2xXP

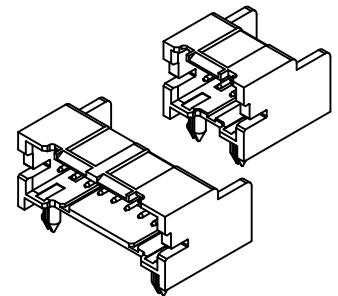
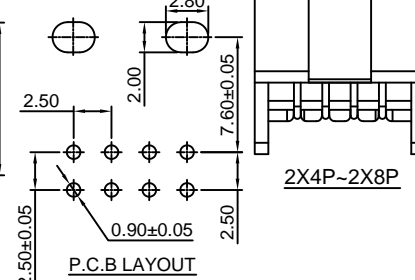
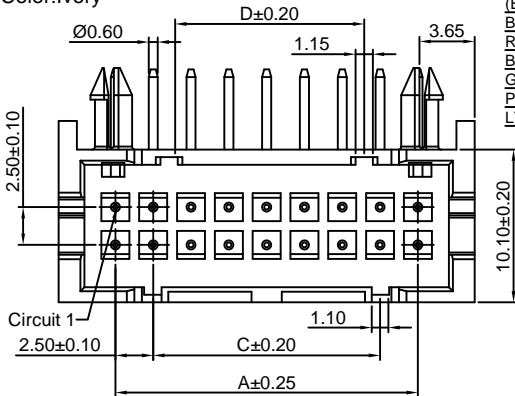
2.50mm Pitch Dual Row 90° Wafer

Reference Informations:

- *Material: Pin: Brass/Tin over Nickel
Insulator: Nylon 66, UL94V-0
- *Mates with CJT A2508H-2xXP series Housing
- *Color: Ivory

Ordering Information:
A2508WR-F-2xXP - *** - **
1 2 3

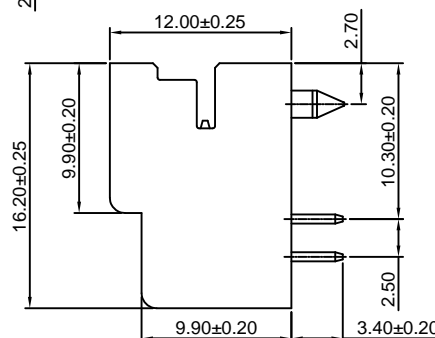
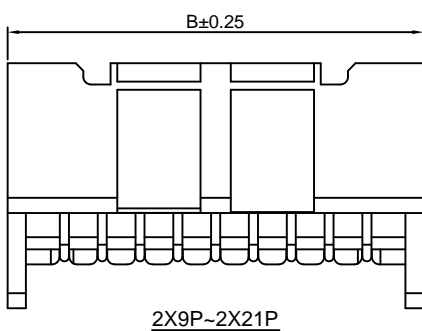
1. Part No.
2. Material:
(blank): Nylon 66, UL94V-0
GWT: Nylon 66, UL94V-0, GWT 750 °C
3. Color:
(Blank): White
BK: Black
RD: Red
BL: Blue
GN: Green
PK: Pink
LY: Lemon yellow



Ordering Information & Dimensions:

| PART NO. | Dimensions | | | |
|----------|------------|-------|-------|-------|
| | A | B | C | D |
| 2x4P | 7.50 | 14.70 | 9.10 | ---- |
| 2x5P | 10.00 | 17.20 | 7.50 | ---- |
| 2x6P | 12.50 | 19.70 | 10.00 | ---- |
| 2x7P | 15.00 | 22.20 | 12.50 | ---- |
| 2x8P | 17.50 | 24.70 | 15.00 | ---- |
| 2x9P | 20.00 | 27.20 | 15.00 | 12.50 |
| 2x10P | 22.50 | 29.70 | 17.50 | 15.00 |
| 2x11P | 25.00 | 32.20 | 20.00 | 17.50 |
| 2x12P | 27.50 | 34.70 | 22.50 | 20.00 |
| 2x13P | 30.00 | 37.20 | 25.00 | 22.50 |
| 2x14P | 32.50 | 39.70 | 27.50 | 25.00 |
| 2x15P | 35.00 | 42.20 | 30.00 | 27.50 |
| 2x16P | 37.50 | 44.70 | 32.50 | 30.00 |
| 2x17P | 40.00 | 47.20 | 35.00 | 32.50 |
| 2x18P | 42.50 | 49.70 | 37.50 | 35.00 |
| 2x19P | 45.00 | 52.20 | 40.00 | 37.50 |
| 2x20P | 47.50 | 54.70 | 42.50 | 40.00 |

Unit: mm





A2508 SERIES 2.50mm pitch wire to board and wire to wire connector

A2508WVT(-F)-XP

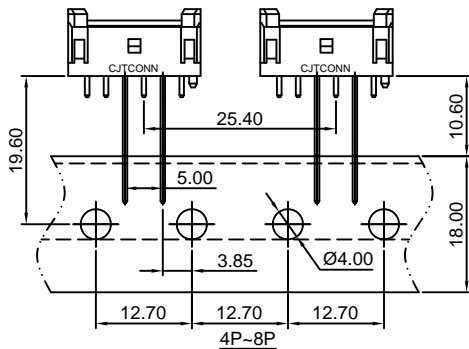
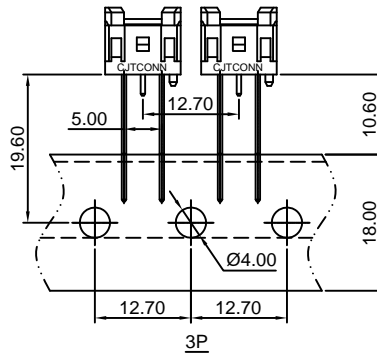
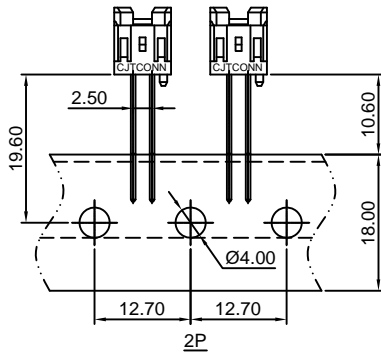
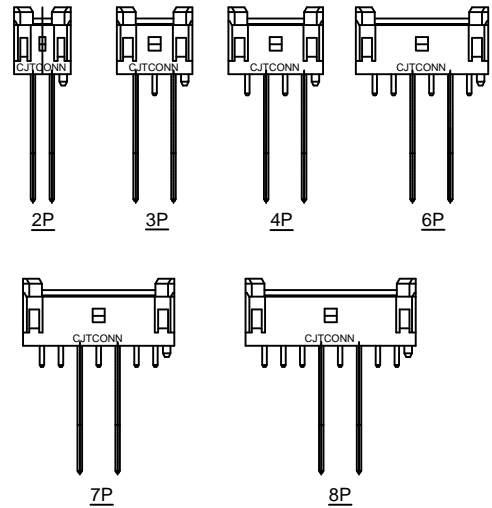
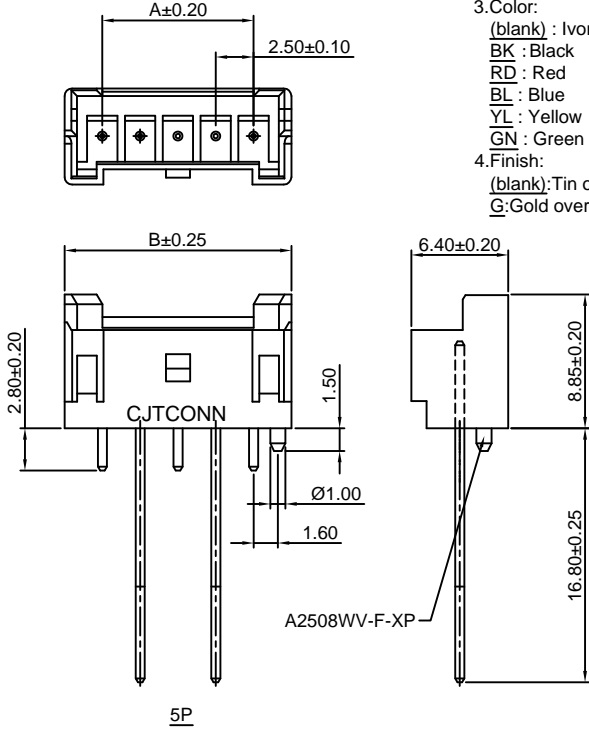
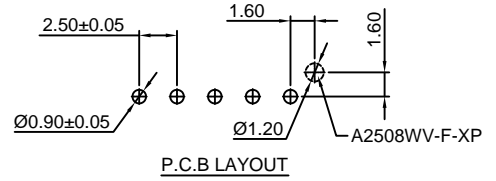
2.50mm pitch 180° Wafer ON RADIAL-TAPE

Reference Informations:

- *Material: Pin: Brass/Tin over Nickel
Insulator: Nylon 66, UL94V-0
- *Mates with CJT A2508H, HA-XP series Housing
- *Color: Ivory

Ordering Information:

- A2508WVT(-F)-XP - *** - ** - **
1. Part No.
2. Material:
(blank): Nylon 66, UL94V-0
GWT: Nylon 66, UL94V-0, GWT 750 °C
3. Color:
(blank) : Ivory
BK : Black
RD : Red
BL : Blue
YL : Yellow
GN : Green
4. Finish:
(blank): Tin over Nickel
G: Gold over Nickel



Ordering Information & Dimensions:

| PART NO. | Dimensions | |
|----------|------------|-------|
| | A | B |
| 2P | 2.50 | 7.50 |
| 3P | 5.00 | 10.00 |
| 4P | 7.50 | 12.50 |
| 5P | 10.00 | 15.00 |
| 6P | 12.50 | 17.50 |
| 7P | 15.00 | 20.00 |
| 8P | 17.50 | 22.50 |

Unit: mm



A2508 SERIES 2.5mm pitch wire to board and wire to wire connector

A2508WVT(-F)-XP-H

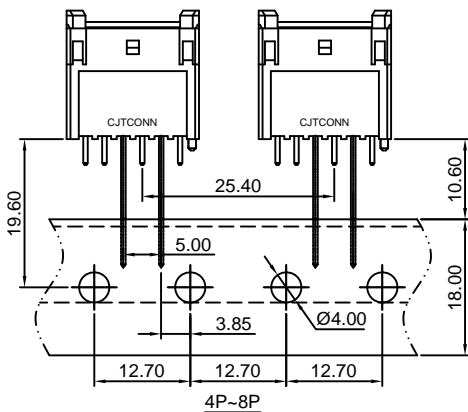
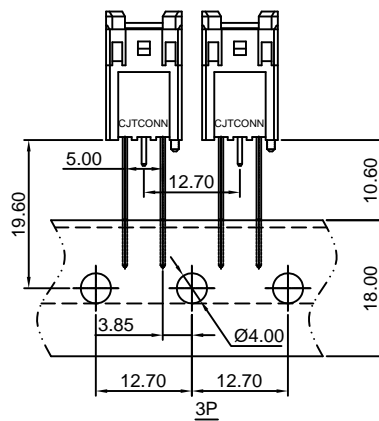
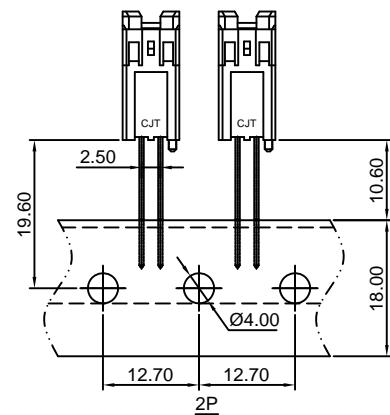
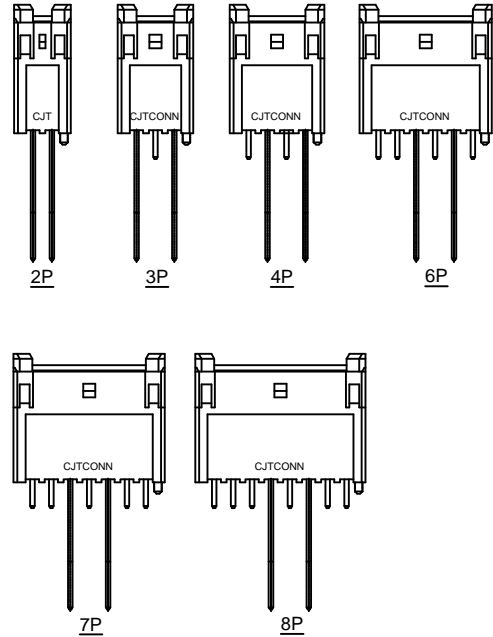
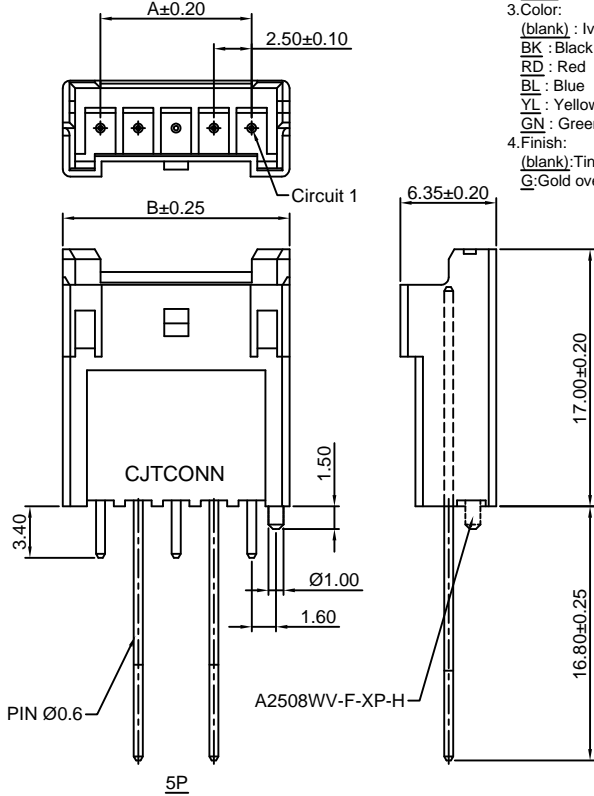
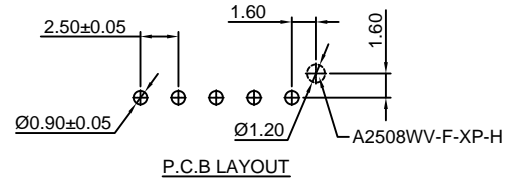
2.50mm pitch 180° Wafer ON RADIAL-TAPE

Reference Informations:

- *Material: Pin: Brass/Tin over Nickel
Insulator: Nylon 66, UL94V-0
- *Mates with CJT A2508H, HA-XP series Housing
- *Color: Ivory

Ordering Information:

- A2508WVT(-F)-XP-H - *** - ** - **
1. Part No.
 2. Material:
(blank): Nylon 66, UL94V-0
GWT: Nylon 66, UL94V-0, GWT 750 °C
 3. Color:
(blank): Ivory
BK: Black
RD: Red
BL: Blue
YL: Yellow
GN: Green
 4. Finish:
(blank): Tin over Nickel
G: Gold over Nickel



Ordering Information & Dimensions:

| PART NO. | Dimensions | |
|----------|------------|-------|
| | A | B |
| 2P | 2.50 | 7.50 |
| 3P | 5.00 | 10.00 |
| 4P | 7.50 | 12.50 |
| 5P | 10.00 | 15.00 |
| 6P | 12.50 | 17.50 |
| 7P | 15.00 | 20.00 |
| 8P | 17.50 | 22.50 |

Unit: mm