

Ultra Low ON-Resistance, Low Voltage, SPDT Analog Switch

FEATURES

- -3dB Bandwidth: 30MHz
- High Speed, Typically 50ns
- Supply Range: +1.8V to +5.5V
- Low ON-State Resistance, 0.6Ω(TYP)
- Break-Before-Make Switching
- Rail-to-Rail Operation
- TTL/CMOS Compatible
- Extended Industrial Temperature Range: -40°C to +125°C
- *Micro*SIZE PACKAGES: SOT363 (SC70-6), SOT23-6

DESCRIPTION

The RS2103 is a single-pole double-throw (SPDT) analog switch that is designed to operate from 1.8 V to 5.5 V.

The RS2103 device can handle both analog and digital signals. It features fast switching speeds (50ns) and low on-resistance (0.6Ω TYP).

Applications include signal gating, chopping, modulation or demodulation (modem), and signal multiplexing for analog-to-digital and digital-to-analog conversion systems.

APPLICATIONS

- Wearable Devices
- Battery-Operated Equipment
- Signal Gating, Chopping, Modulation or Demodulation (Modem)
- Portable Computing
- Cell Phones

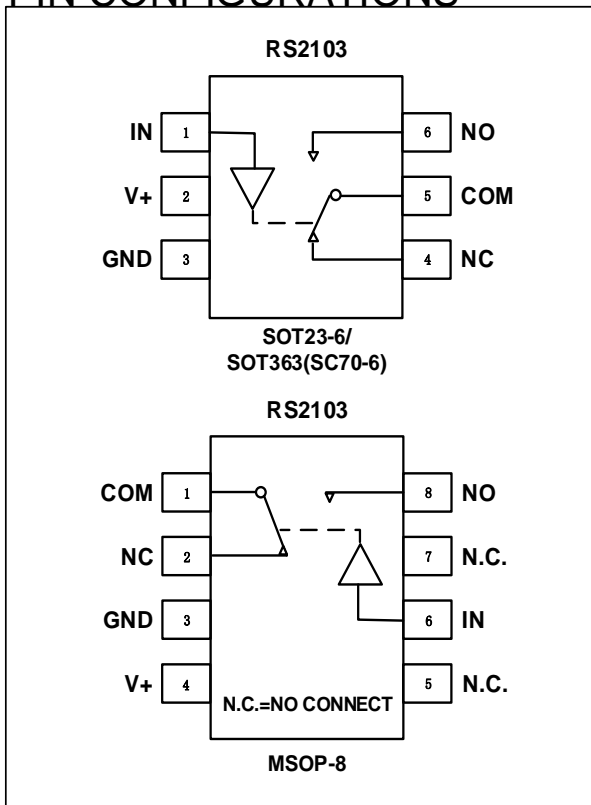
FUNCTION TABLE

| LOGIC | NO | NC |
|-------|-----|-----|
| 0 | OFF | ON |
| 1 | ON | OFF |

PIN DESCRIPTION

| NAME | PIN (6) | PIN (8) | FUNCTION |
|------|---------|---------|--------------------------|
| IN | 1 | 6 | Digital Control Pin |
| V+ | 2 | 4 | Power Supply |
| GND | 3 | 3 | Ground |
| NC | 4 | 2 | Normally-Closed Terminal |
| COM | 5 | 1 | Common Terminal |
| NO | 6 | 8 | Normally-Open Terminal |

PIN CONFIGURATIONS



ABSOLUTE MAXIMUM RATINGS ⁽¹⁾

| | |
|---|----------------------|
| V+, IN to GND..... | -0.3V to 7.0V |
| Analog, Digital Voltage Range ⁽²⁾ | - 0.3 to (V+) + 0.3V |
| Continuous Current NO, NC, or COM..... | ±500mA |
| Peak Current NO, NC, or COM..... | ±800mA |
| Storage Temperature | -65°C to +150°C |
| Operating Temperature | -40°C to +125°C |
| Junction Temperature..... | 150°C |
| Package Thermal Resistance @ T _A = +25°C | |
| SOT23-5, SOT23-6..... | 200°C/W |
| MSOP-10, SOIC-8 ,TSSOP-8..... | 150°C/W |
| SOIC-14, TSSOP-14..... | 100°C/W |
| Lead Temperature (Soldering, 10s) | 260°C |
| ESD Susceptibility | |
| HBM | 1000V |
| MM | 100V |



ESD SENSITIVITY CAUTION

ESD damage can range from subtle performance degradation to complete device failure. Precision integrated circuits may be more susceptible to damage because very small parametric changes could cause the device not to meet its published specifications.

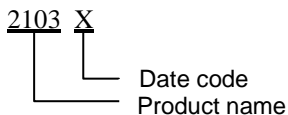
- (1) Stresses above these ratings may cause permanent damage. Exposure to absolute maximum conditions for extended periods may degrade device reliability. These are stress ratings only, and functional operation of the device at these or any other conditions beyond those specified is not implied.
- (2) Input terminals are diode-clamped to the power-supply rails. Input signals that can swing more than 0.3V beyond the supply rails should be current-limited to 10mA or less.

PACKAGE/ORDERING INFORMATION

| PRODUCT | ORDERING NUMBER | TEMPERATURE RANGE | PACKAGE LEAD | PACKAGE MARKING | PACKAGE OPTION |
|---------|-----------------|-------------------|--------------------|-----------------|--------------------|
| RS2103 | RS2103XC6 | -40°C~125°C | SOT363 (SC70-6) | 2103X | Tape and Reel,3000 |
| | RS2103XH | -40°C~125°C | SOT23-6 | 2103 | Tape and Reel,3000 |
| | RS2103XM | -40°C~125°C | MSOP-8 | RS2103 | Tape and Reel,3000 |

NOTE: X = Date Code

MARKING INFORMATION





ELECTRICAL CHARACTERISTICS

V+ = 5.0 V, TA= -40°C to 125°C (unless otherwise noted)

| PARAMETER | SYMBOL | CONDITIONS | V+ | TA | MIN | TYP | MAX | UNITS |
|---|----------------------------|--|-------------|-------|-----|------|------|-------|
| ANALOG SWITCH | | | | | | | | |
| Analog Signal Range | VNO, VNC, VCOM | | | FULL | 0 | | V+ | V |
| On-Resistance | RON | 0 ≤ (VNO or VNC) ≤ V+, ICOM = -10mA, Switch ON, See Figure 1 | 5V | +25°C | | 0.6 | 1.0 | Ω |
| | | | | FULL | | | 1.2 | Ω |
| | | | 3.3V | +25°C | | 1.0 | 1.5 | Ω |
| | | | | FULL | | | 1.7 | Ω |
| On-Resistance Match Between Channels | ΔRON | 0 ≤ (VNO or VNC) ≤ V+, ICOM = -10mA, Switch ON, See Figure 1 | 5V | +25°C | | 0.04 | 0.1 | Ω |
| | | | | FULL | | | 0.12 | Ω |
| | | | 3.3V | +25°C | | 0.04 | 0.1 | Ω |
| | | | | FULL | | | 0.12 | Ω |
| On-Resistance Flatness | RFLAT(ON) | 0 ≤ (VNO or VNC) ≤ V+, ICOM = -10mA, Switch ON, See Figure 1 | 5V | +25°C | | 0.18 | 0.3 | Ω |
| | | | | FULL | | | 0.4 | Ω |
| | | | 3.3V | +25°C | | 0.54 | 0.7 | Ω |
| | | | | FULL | | | 0.8 | Ω |
| NC,NO OFF Leakage Current | INC(OFF), INO(OFF) | VNO or VNC = 0.3V, V+/2 VCOM = V+/2, 0.3V See Figure 2 | 1.8 to 5.5V | FULL | | | 1 | μA |
| NC,NO,COM ON Leakage Current | INC(ON), INO(ON), ICOM(ON) | VNO or VNC = 0.3V, Open VCOM = Open, 0.3V See Figure 2 | 1.8 to 5.5V | FULL | | | 1 | μA |
| DIGITAL CONTROL INPUTS⁽¹⁾ | | | | | | | | |
| Input High Voltage | VINH | | 5V | FULL | 1.5 | | | V |
| | | | 3.3V | FULL | 1.3 | | | V |
| Input Low Voltage | VINL | | 5V | FULL | | | 0.6 | V |
| | | | 3.3V | FULL | | | 0.5 | V |
| Input Leakage Current | IN | VIN = VIO or 0 | 1.8 to 5.5V | FULL | | | 1 | μA |

(1) All unused digital inputs of the device must be held at VIO or GND to ensure proper device operation.

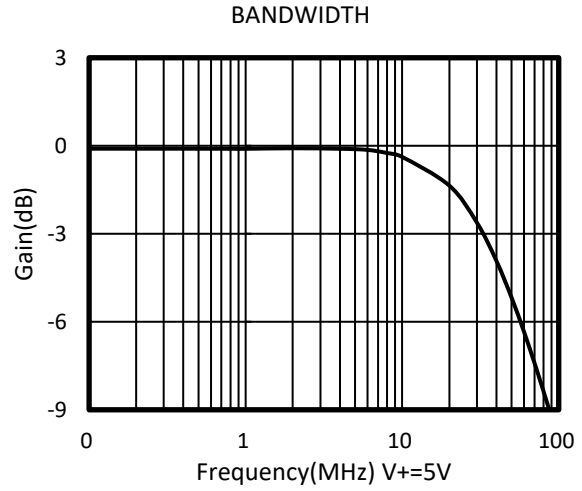
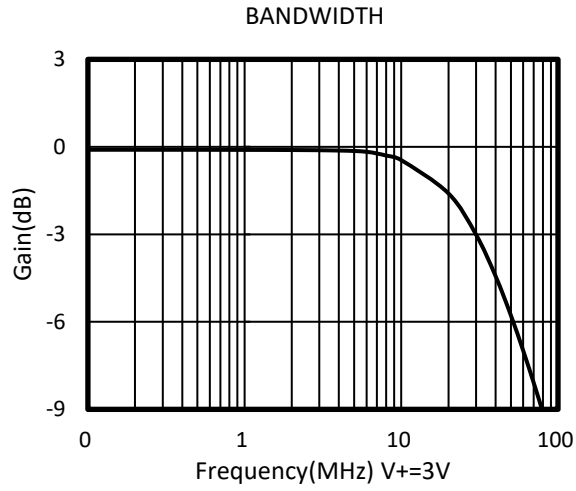


ELECTRICAL CHARACTERISTICS (continued)

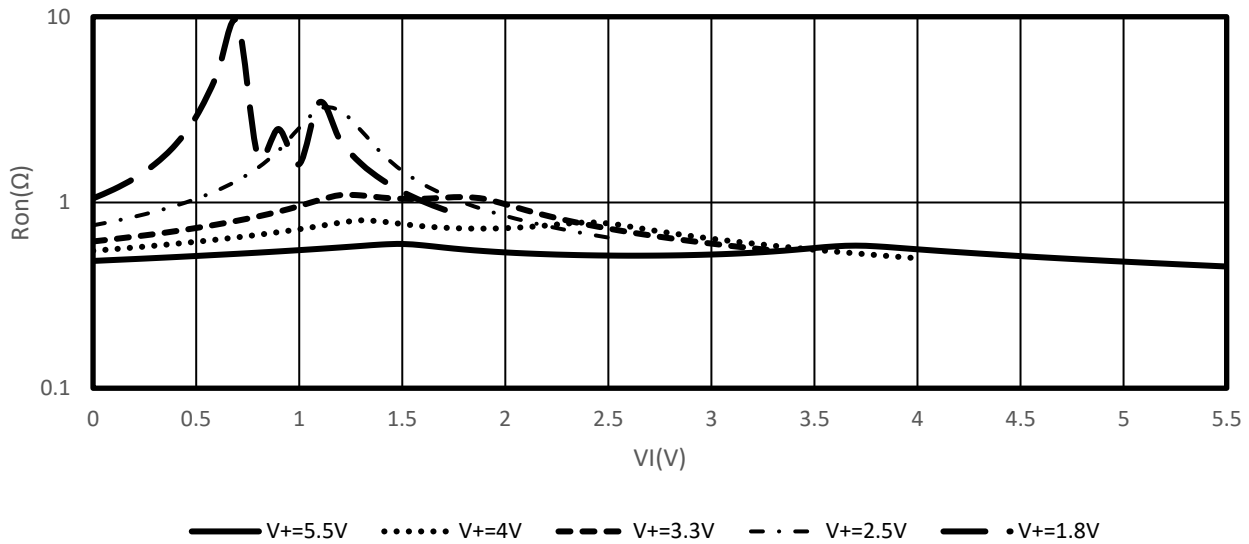
V+ = 5.0 V, TEMP= -40°C to 125°C (unless otherwise noted)

| PARAMETER | SYMBOL | CONDITIONS | V+ | TEMP | MIN | TYP | MAX | UNITS |
|--------------------------------|--|--|------------|-------|-----|-----|-----|-------|
| DYNAMIC CHARACTERISTICS | | | | | | | | |
| Turn-On Time | t _{ON} | V _{COM} = V+, R _L = 300Ω, C _L = 35pF, See Figure 5 | 5V | +25°C | | 50 | | ns |
| | | | 3.3V | | | 50 | | |
| Turn-Off Time | t _{OFF} | V _{COM} = V+, R _L = 300Ω, C _L = 35pF, See Figure 5 | 5V | +25°C | | 15 | | ns |
| | | | 3.3V | | | 17 | | |
| Break-Before-Make Time Delay | t _{BBM} | V _{NO1} = V _{NC1} = V _{NO2} = V _{NC2} = 3V, R _L = 300Ω, C _L = 35pF, See Figure 6 | 5V | +25°C | | 10 | | ns |
| | | | 3.3V | | | 11 | | |
| Off Isolation | O _{ISO} | R _L = 50Ω, Switch OFF, See Figure 8 | f = 100KHz | +25°C | | -68 | | dB |
| | | | f = 10KHz | +25°C | | -86 | | dB |
| -3dB Bandwidth | BW | Switch ON, R _L = 50Ω See Figure 7 | | +25°C | | 30 | | MHz |
| NC,NO OFF Capacitance | C _{NC(OFF)} , C _{NO(OFF)} | V _{NC} or V _{NO} =V+/2 or GND, Switch OFF See Figure 4 | | +25°C | | 80 | | pF |
| NC,NO,COM ON Capacitance | C _{NC(ON)} , C _{NO(ON)} , C _{COM(ON)} | V _{NC} or V _{NO} =V+/2 or GND, Switch ON See Figure 4 | | +25°C | | 350 | | pF |
| POWER REQUIREMENTS | | | | | | | | |
| Power Supply Range | V+ | | | FULL | 1.8 | | 5.5 | V |
| Power Supply Current | I+ | V _{IN} = GND or V+ | 5.5V | FULL | | | 1 | μA |

TYPICAL CHARACTERISTICS



Typical ron as a Function of Input Voltage (VI) for VI = 0 to V+



Parameter Measurement Information

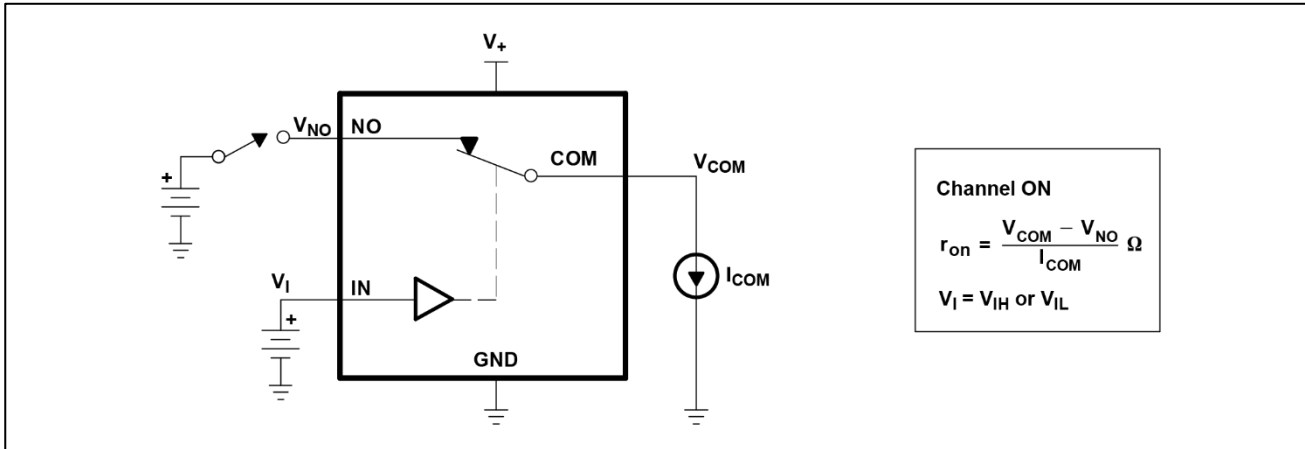


Figure 1.ON-State Resistance (r_{on})

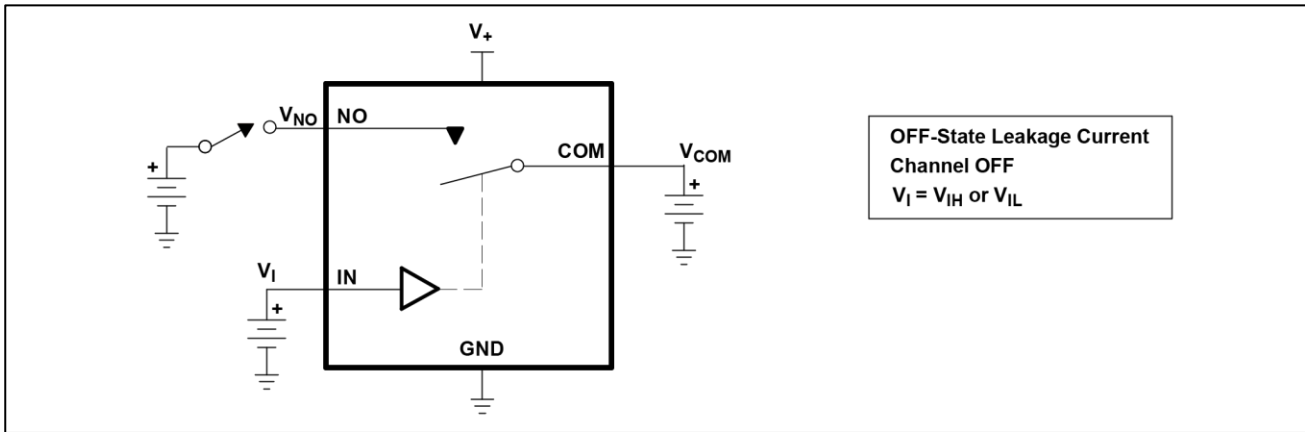


Figure 2.OFF-State Leakage Current ($I_{COM(OFF)}$, $I_{NO(OFF)}$)

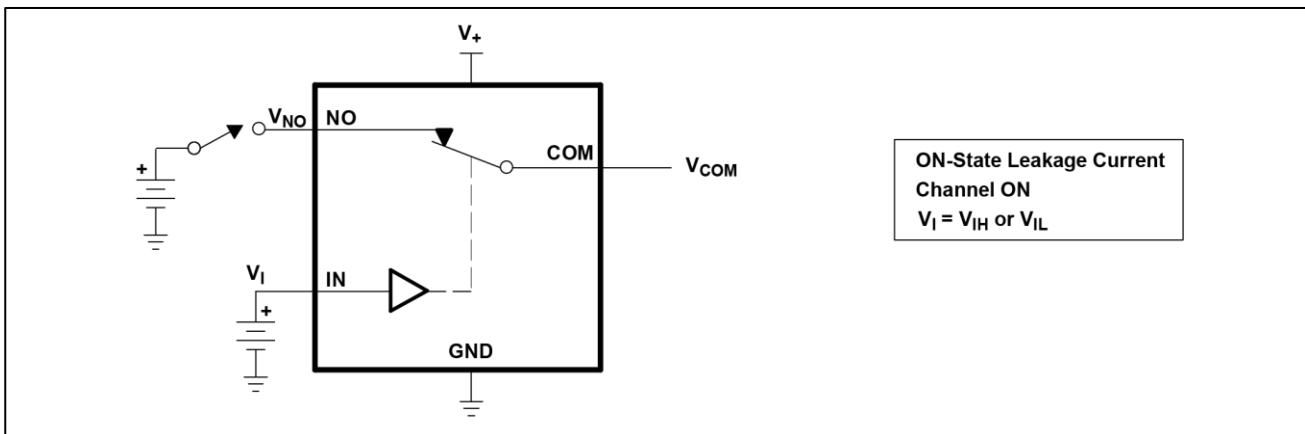


Figure 3.ON-State Leakage Current ($I_{COM(ON)}$, $I_{NO(ON)}$)

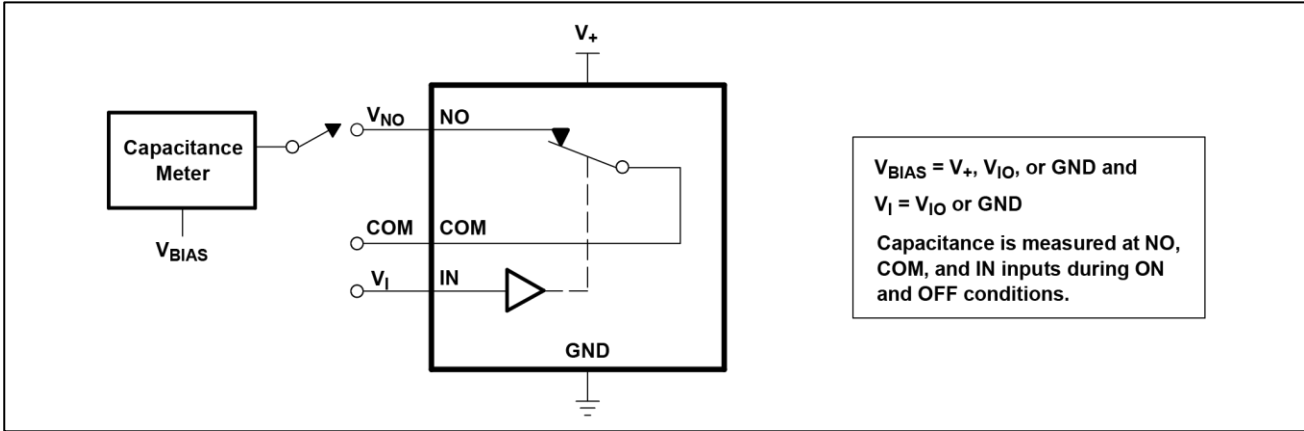


Figure 4. Capacitance (C_I , $C_{COM(OFF)}$, $C_{COM(ON)}$, $C_{NO(OFF)}$, $C_{NO(ON)}$)

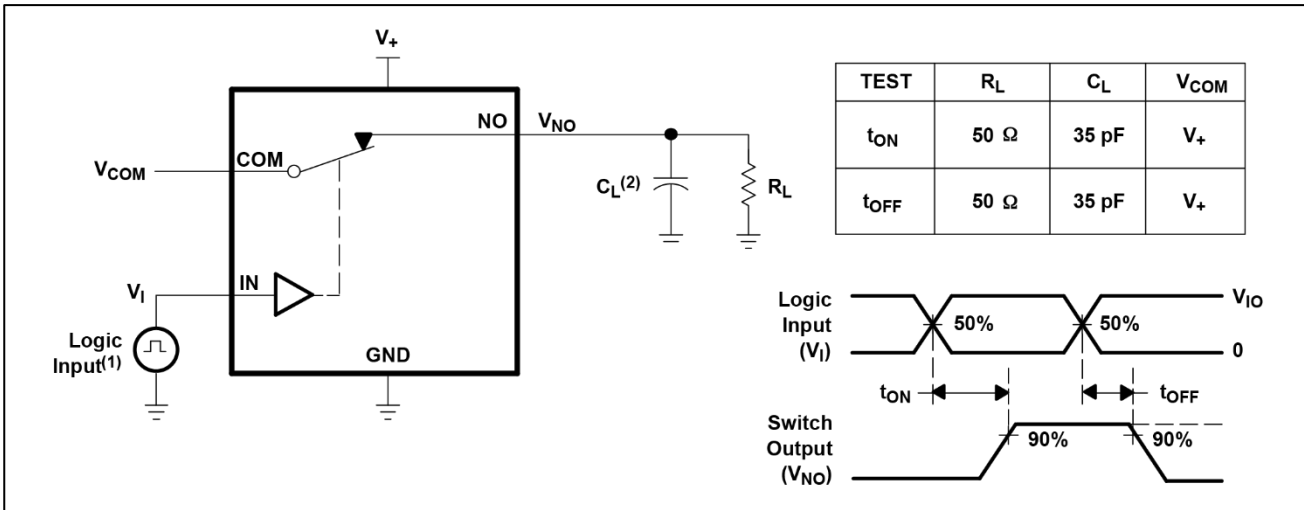


Figure 5. Turn-On (t_{ON}) and Turn-Off Time (t_{OFF})

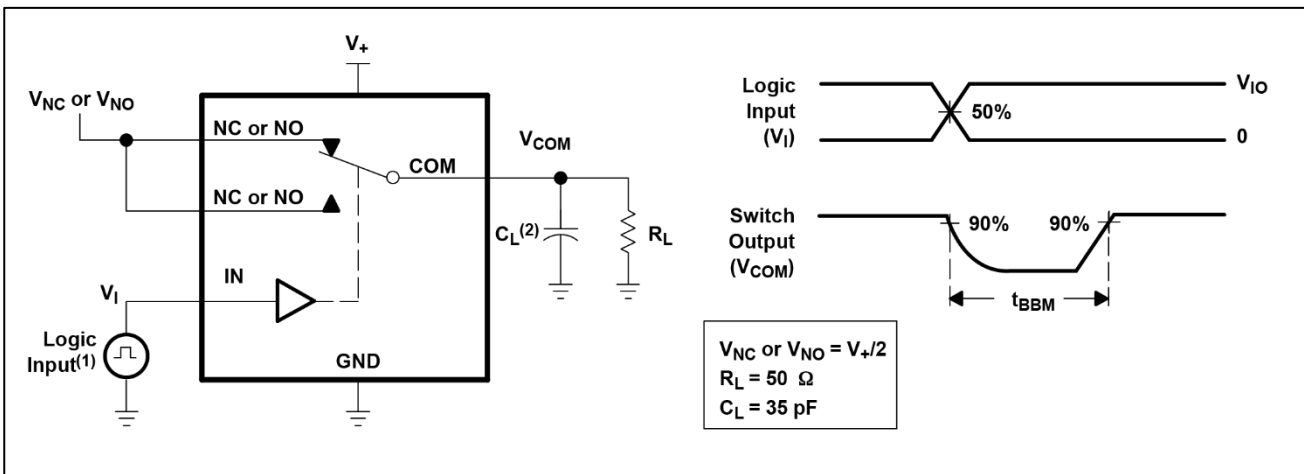


Figure 6. Break-Before-Make Time (t_{BBM})

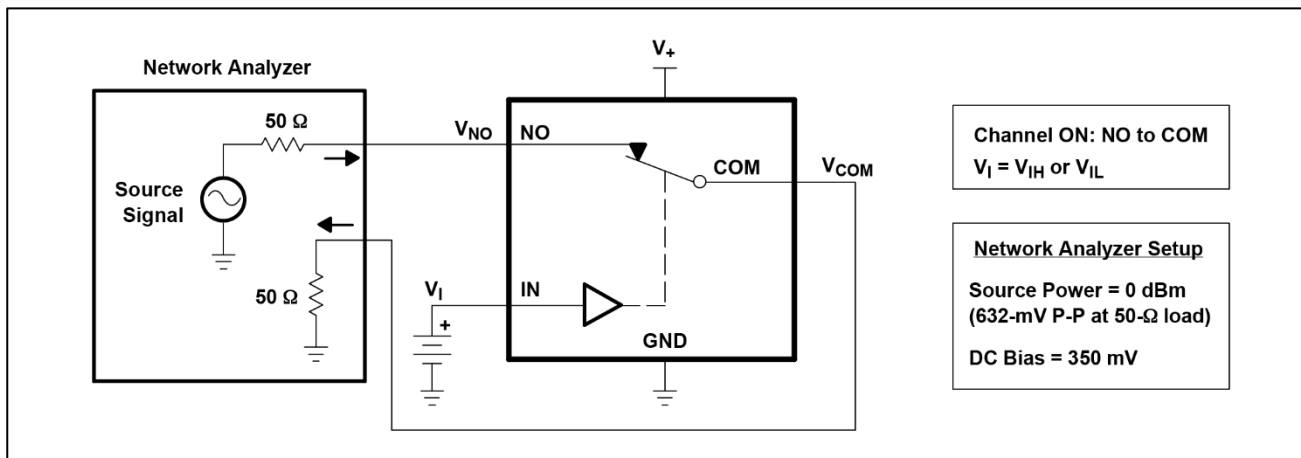


Figure 7. Bandwidth (BW)

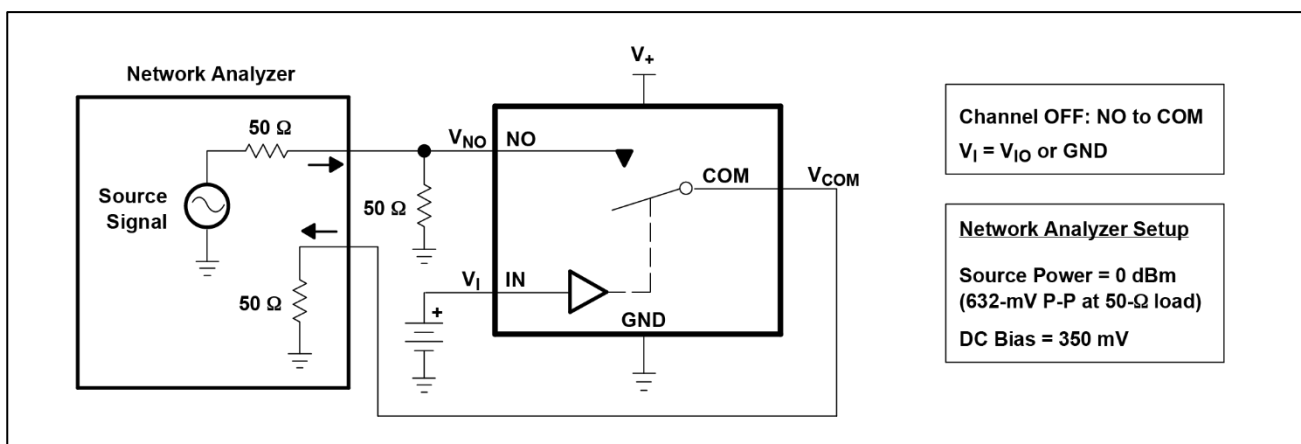


Figure 8. OFF Isolation (O_{iso})

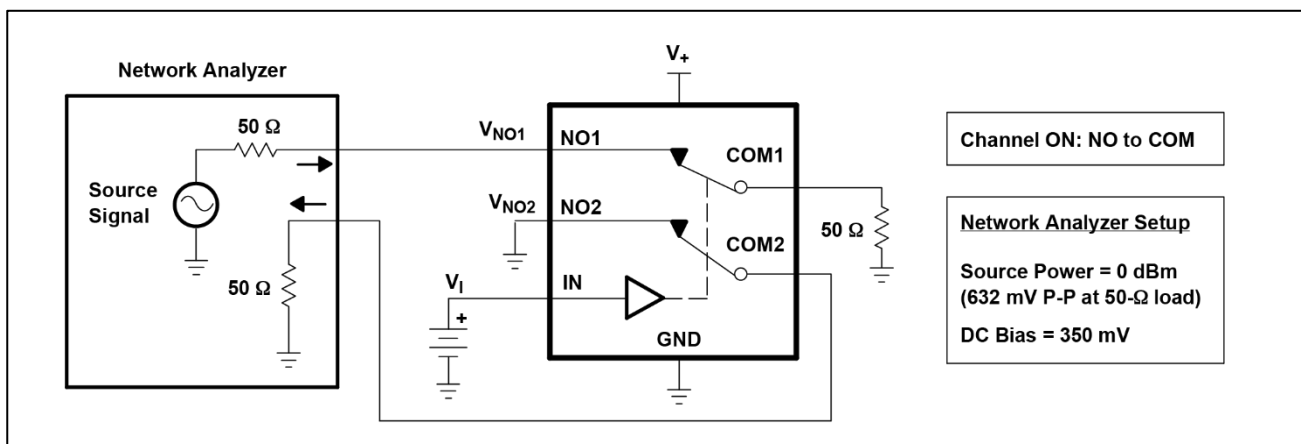
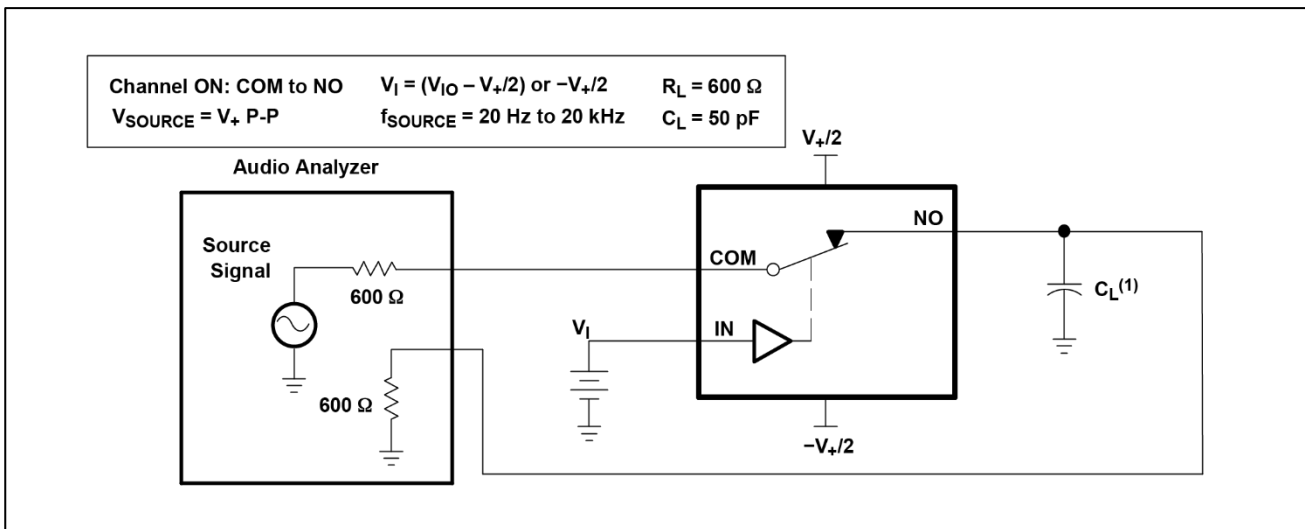
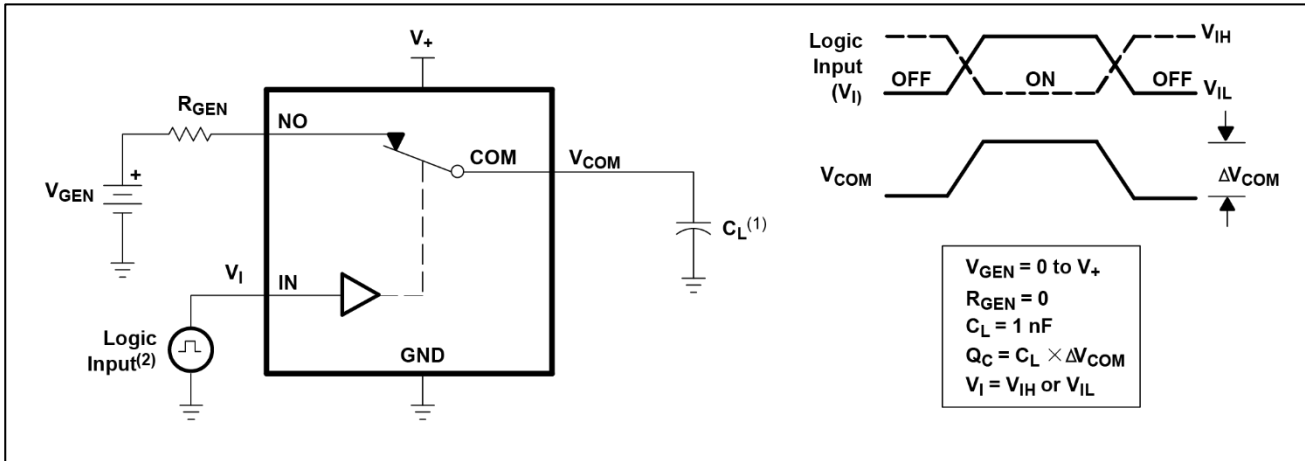
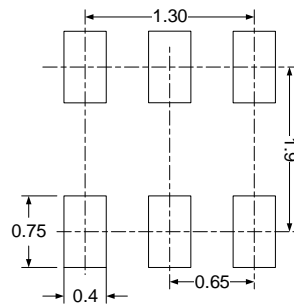
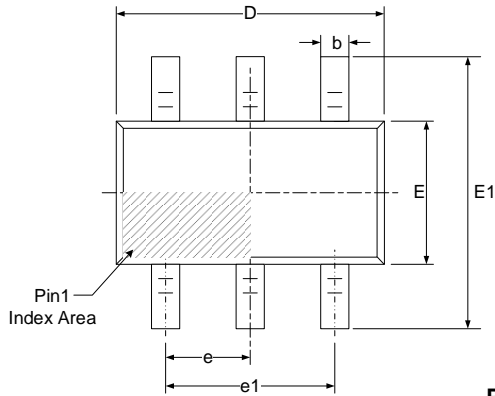


Figure 9. Crosstalk (X_{TALK})

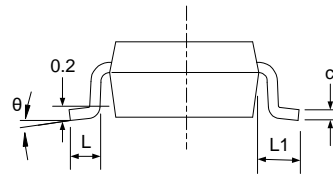
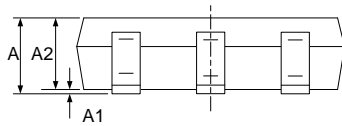


PACKAGE OUTLINE DIMENSIONS

SOT363 (SC70-6)

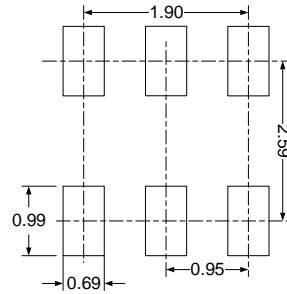
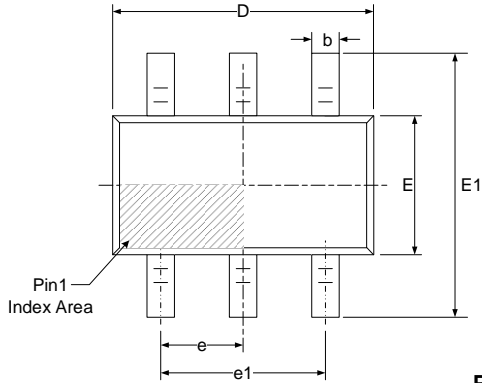


RECOMMENDED LAND PATTERN (Unit: mm)

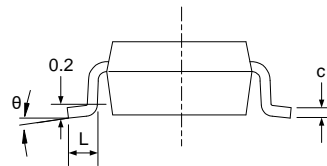
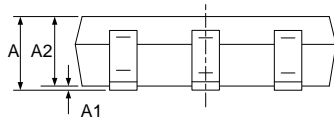


| Symbol | Dimensions In Millimeters | | Dimensions In Inches | |
|--------|---------------------------|-------|----------------------|-------|
| | Min | Max | Min | Max |
| A | 0.900 | 1.100 | 0.035 | 0.043 |
| A1 | 0.000 | 0.100 | 0.000 | 0.004 |
| A2 | 0.900 | 1.000 | 0.035 | 0.039 |
| b | 0.150 | 0.350 | 0.006 | 0.014 |
| c | 0.080 | 0.150 | 0.003 | 0.006 |
| D | 2.000 | 2.200 | 0.079 | 0.087 |
| E | 1.150 | 1.350 | 0.045 | 0.053 |
| E1 | 2.150 | 2.450 | 0.085 | 0.096 |
| e | 0.650(BSC) | | 0.026(BSC) | |
| e1 | 1.300(BSC) | | 0.051(BSC) | |
| L | 0.260 | 0.460 | 0.010 | 0.018 |
| L1 | 0.525 | | 0.021 | |
| θ | 0° | 8° | 0° | 8° |

SOT23-6

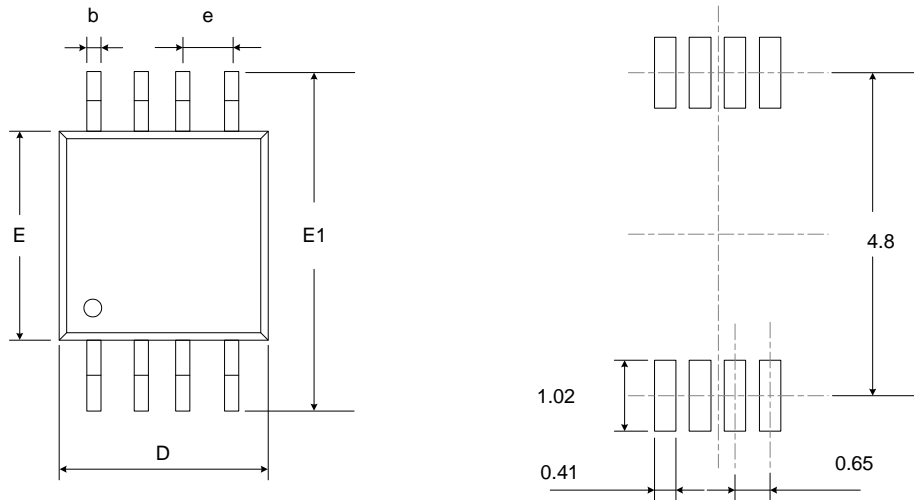


RECOMMENDED LAND PATTERN (Unit: mm)

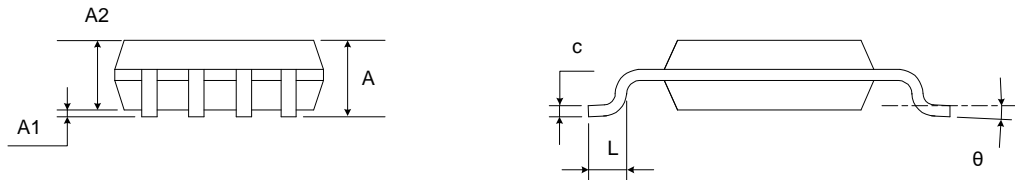


| Symbol | Dimensions In Millimeters | | Dimensions In Inches | |
|----------|---------------------------|-------|----------------------|-------|
| | Min | Max | Min | Max |
| A | 1.050 | 1.250 | 0.041 | 0.049 |
| A1 | 0.000 | 0.100 | 0.000 | 0.004 |
| A2 | 1.050 | 1.150 | 0.041 | 0.045 |
| b | 0.300 | 0.500 | 0.012 | 0.020 |
| c | 0.100 | 0.200 | 0.004 | 0.008 |
| D | 2.820 | 3.020 | 0.111 | 0.119 |
| E | 1.500 | 1.700 | 0.059 | 0.067 |
| E1 | 2.650 | 2.950 | 0.104 | 0.116 |
| e | 0.950(BSC) | | 0.037(BSC) | |
| e1 | 1.800 | 2.000 | 0.071 | 0.079 |
| L | 0.300 | 0.600 | 0.012 | 0.024 |
| θ | 0° | 8° | 0° | 8° |

MSOP-8



RECOMMENDED LAND PATTERN (Unit: mm)



| Symbol | Dimensions In Millimeters | | Dimensions In Inches | |
|----------|---------------------------|-------|----------------------|-------|
| | Min | Max | Min | Max |
| A | 0.820 | 1.100 | 0.032 | 0.043 |
| A1 | 0.020 | 0.150 | 0.001 | 0.006 |
| A2 | 0.750 | 0.950 | 0.030 | 0.037 |
| b | 0.250 | 0.380 | 0.010 | 0.015 |
| c | 0.090 | 0.230 | 0.004 | 0.009 |
| D | 2.900 | 3.100 | 0.114 | 0.122 |
| e | 0.650(BSC) | | 0.026(BSC) | |
| E | 2.900 | 3.100 | 0.114 | 0.122 |
| E1 | 4.750 | 5.050 | 0.187 | 0.199 |
| L | 0.400 | 0.800 | 0.016 | 0.031 |
| θ | 0° | 6° | 0° | 6° |