

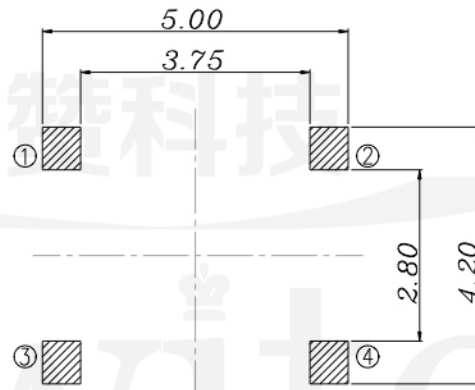
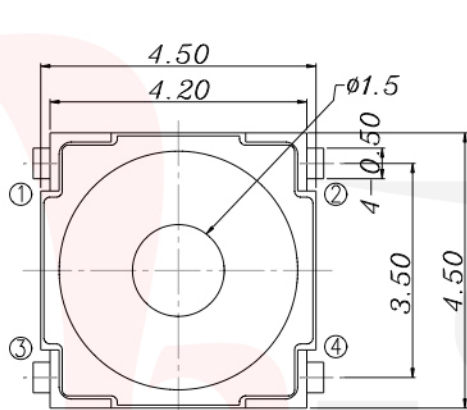
### GT-TC081X-HXXX-LX

G-SWITCH

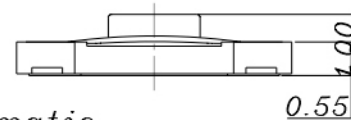
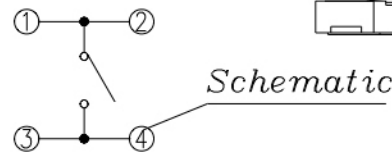
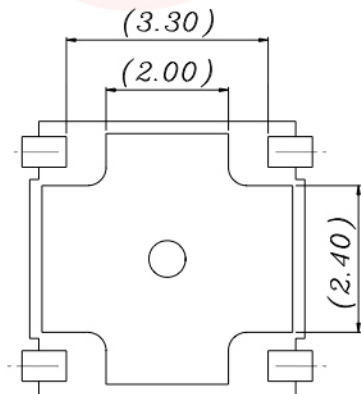
**Operating Force**  
 A=160gf  
 B=250gf  
 C=100gf

**Switch Height (mm)**  
 H010=1.0mm

**Switch lifetime (Force)**  
 L1=100,000 Cycles  
 L3=300,000 Cycles  
 L5=500,000 Cycles




### P.C.B LAND DIMENSION



#### G-Switch Specification:

Operating temperature range : -30°C to +85°C  
 Rating : 50mA, 12V DC  
 Insulation resistance : 100MΩ min. 100V DC  
 Dielectric strength : 250V AC for 1 min  
 Contact resistance : 100mΩ max.  
 Travel: 0.20±0.05mm



	<b>G-Switch Electronic (HongKong) CO.,Ltd.</b>		
	Unless otherwise specified, Tolerance: X.           ±0.30 X.x          ±0.20 X.xx         ±0.15 X.xxx       ±0.10 Angles      ±3°	DESIGN FengFengChen CHECKED            DATE APPROVED           DATE <a href="http://www.dg-switch.com">http://www.dg-switch.com</a> TEL:0769-82388879	DATE 2019.05.29 DATE DATE REV.: X1 SCALE: 4:1 SHEET: 1/1