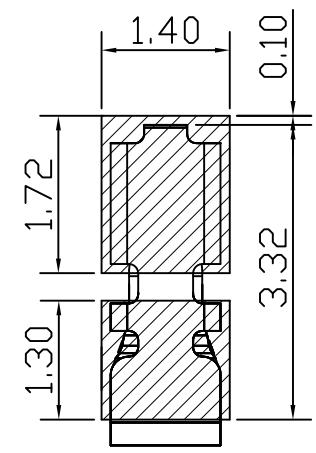
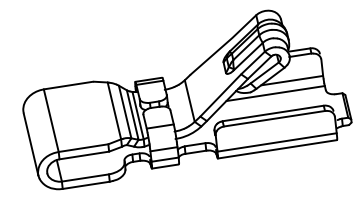
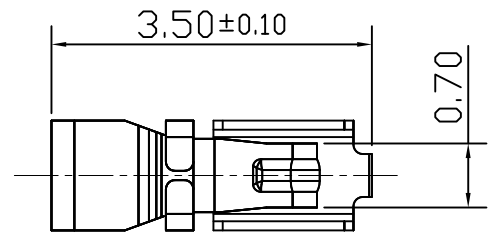
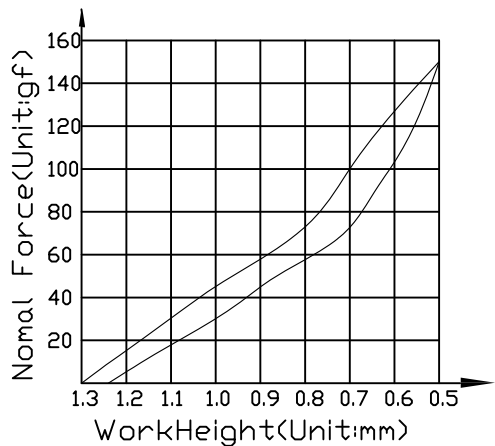
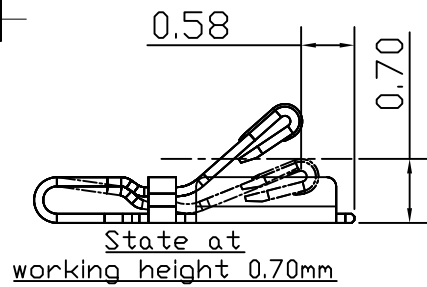
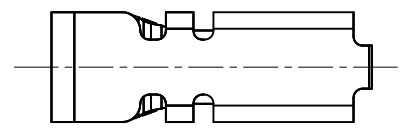
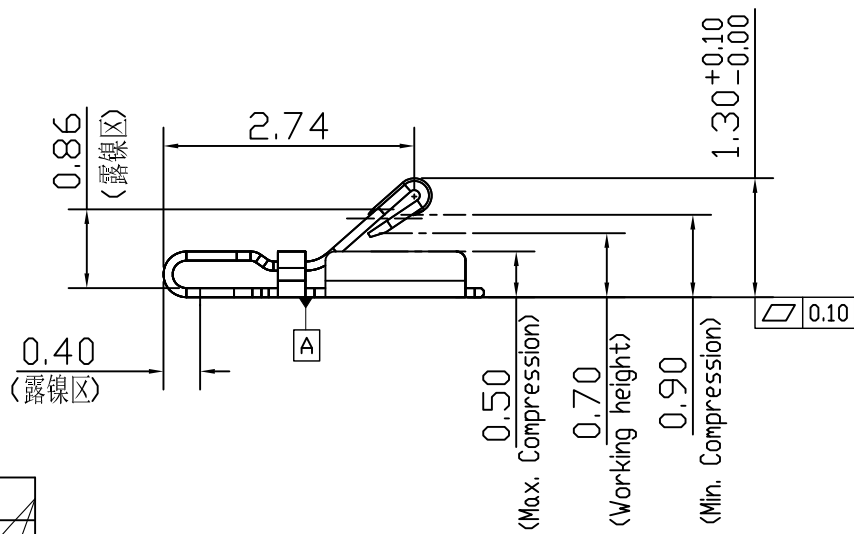
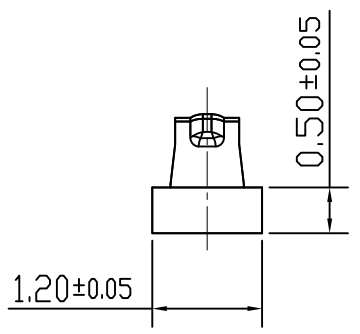




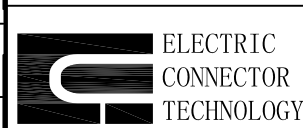
Rev.	ECN Number	Description	Date	Drawn	Checkd	Approved
A	ECN160337	NEW RELEASE	05/21'16	袁程	Tan	Tan



RECOMMENDED PCB LAYOUT
TOLERANCE ±0.05MM



- NOTES:
- MATERIAL:
 - 1-1: COPPER ALLOY.
 - FINISH:
 - 2-1: 3u" MIN. Au PLATING ON CONTACT AREA, GOLD FLASH ON SOLDER AREA, 50~150u" NICKEL UNDERPLATING OVER ALL.
 - 2-2: DIMENSIONS WITHOUT TOLERANCE PLEASE REFER TO TOLERANCE TABLE, STRUCTURE WITHOUT DIMENSIONS PLEASE REFER TO 3D DRAWING.
 - 2-3: DIMENSIONS OF PCB PAD AND STENCIL ARE FOR REFERENCE ONLY, CUSTOMERS CAN MODIFY IT BY THEIR OWN.
 - SPECIFICATIONS:
 - 3-1.RATING CURRENT: 2A.
 - 3-2.RATING VOLTAGE: 10V
 - 3-1.CONTACT RESISTANCE:50mΩ MAX.
 - 3-2.OPERATING TEMPERATURE: -40℃~+85℃.
 - 3-3.PRE-LOAD FORCE:0.30N ON CONTACT POINT.
 - 3-4.FORCE AT MAX. DEFLECTION:0.70N MIN ON CONTACT POINT.
 - 4:RF PERFORMANCE:
 - 4-1.IMPEDANCE:50ΩHM.
 - 4-2.VSWR: 1.5MAX.(DC~3GHz)
 - 4-3.INSERTION LOSS: 0.6dBMAX.(DC~3GHz)
 - 5:DURABILITY: 100 CYCLES.
 - 6.PACKING SPECIFICATION:REEL&TAPE



GENERAL TOLERANCE	
XX. ±0.40	XX.° ±3.0°
X. ±0.25	X.° ±2.0°
.X ±0.20	.X° ±1.0°
.XX ±0.13	

SCALE: 1:1
UNIT: mm
SIZE: A4

DRAWN 袁程	DATE 05/21'16
CHECK	DATE
APPROVE	DATE

DWG. NO. 600-B009-01
PARTS NO.(INTENDED USE) 81800B009

TITLE Customer Drawing
Antenna RF Spring,SMT,
Au plated",L3.5*W1.2*H1.3mm

REV. A
SHEET 1/1