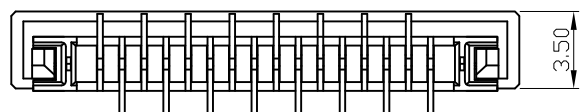
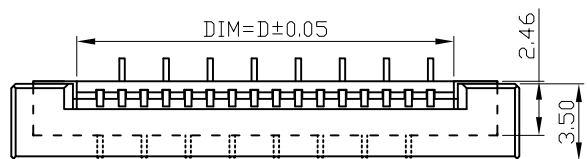
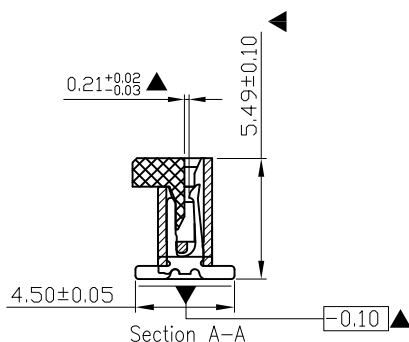
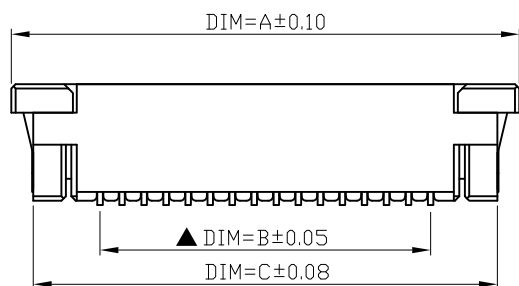


环保物料

EL:0769-82001899

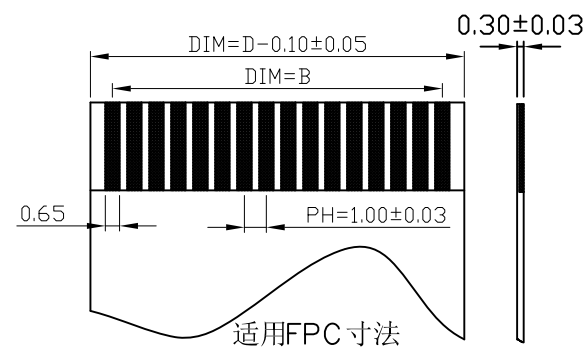
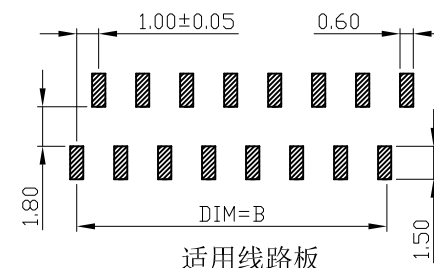


Electrical Characteristics:  
 Current rating: 0.4A AC/DC  
 Voltage rating: 50V AC/DC  
 Temperature range: -25°C~+85°C  
 Withstand Voltage: 200V AC/Minute  
 Contact Resistance: ≤ 20mΩ  
 Insulation resistance: 500mΩ  
 Relative Humidity: 93%+40°C

F1003A-ZV-xx-25T-x

R=卷装 无=管装  
 T=镀锡 G=镀金  
 Pin位数  
 ZV=正脚位

P数	DIM=A	DIM=B	DIM=C	DIM=D	P数	DIM=A	DIM=B	DIM=C	DIM=D
4	11.06	3.00	9.06	5.10	20	27.06	19.00	25.06	21.10
5	12.06	4.00	10.06	6.10	21	28.06	20.00	26.06	22.10
6	13.06	5.00	11.06	7.10	22	29.06	21.00	27.06	23.10
7	14.06	6.00	12.06	8.10	23	30.06	22.00	28.06	24.10
8	15.06	7.00	13.06	9.10	24	31.06	23.00	29.06	25.10
9	16.06	8.00	14.06	10.10	25	32.06	24.00	30.06	26.10
10	17.06	9.00	15.06	11.10	26	33.06	25.00	31.06	27.10
11	18.06	10.00	16.06	12.10	27	34.06	26.00	32.06	28.10
12	19.06	11.00	17.06	13.10	28	35.06	27.00	33.06	29.10
13	20.06	12.00	18.06	14.10	29	36.06	28.00	34.06	30.10
14	21.06	13.00	19.06	15.10	30	37.06	29.00	35.06	31.10
15	22.06	14.00	20.06	16.10	31	38.06	30.00	36.06	32.10
16	23.06	15.00	21.06	17.10	32	39.06	31.00	37.06	33.10
17	24.06	16.00	22.06	18.10	33	40.06	32.00	38.06	34.10
18	25.06	17.00	23.06	19.10	34	41.06	33.00	39.06	35.10
19	26.06	18.00	24.06	20.10	35	42.06	34.00	40.06	36.10



WWW.XFCN.COM

AO	MODIFICATION	DRAW	DATE
VER			

TOLERANCE UNLESS OTHERWISE				DRAWN	CK tan
X.	±0.30	X°	±5°	CHKD	
.X	±0.20	.X°	±2°	APPD	
.XX	±0.08	.XX°	±1°	VIEW	⊕
.XXX	±0.03	.XXX°	±0.5°		

XFCN兴飞连接器有限公司 CONNECTORS XFCN CONNECTORS CO., LTD.		SHEET	1/1
PRODUCT NAME		DATE	2010. 4. 12
PART. NO.		UNITS	mm
F1003A-ZV-xx-25T-R		SCALE	1:1
		DWG. NO.	009