

### FEATURES

- Light operating force.
- Long term low contact resistance.
- Momentary or latching operation.
- Short stroke 1.5mm to latch.
- Compact spacing on PCB of 5.8mm.

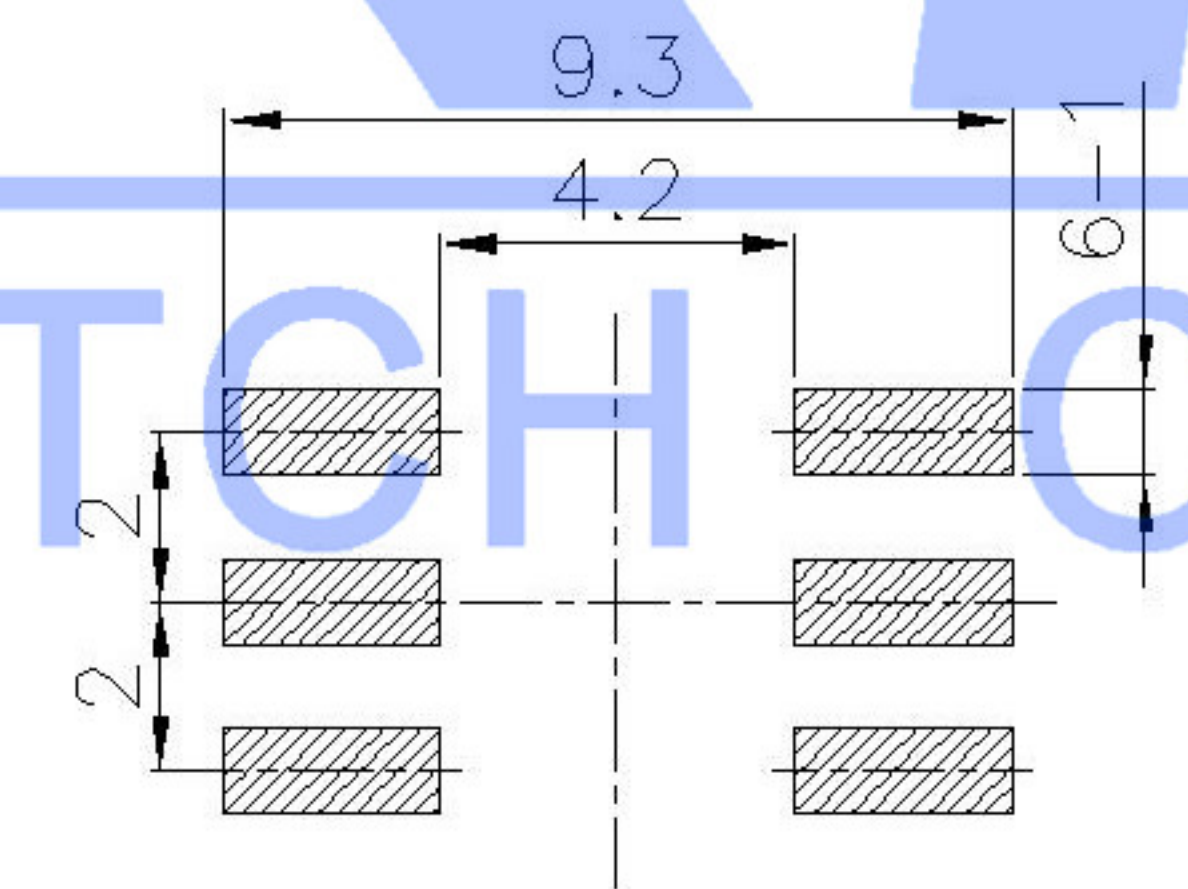
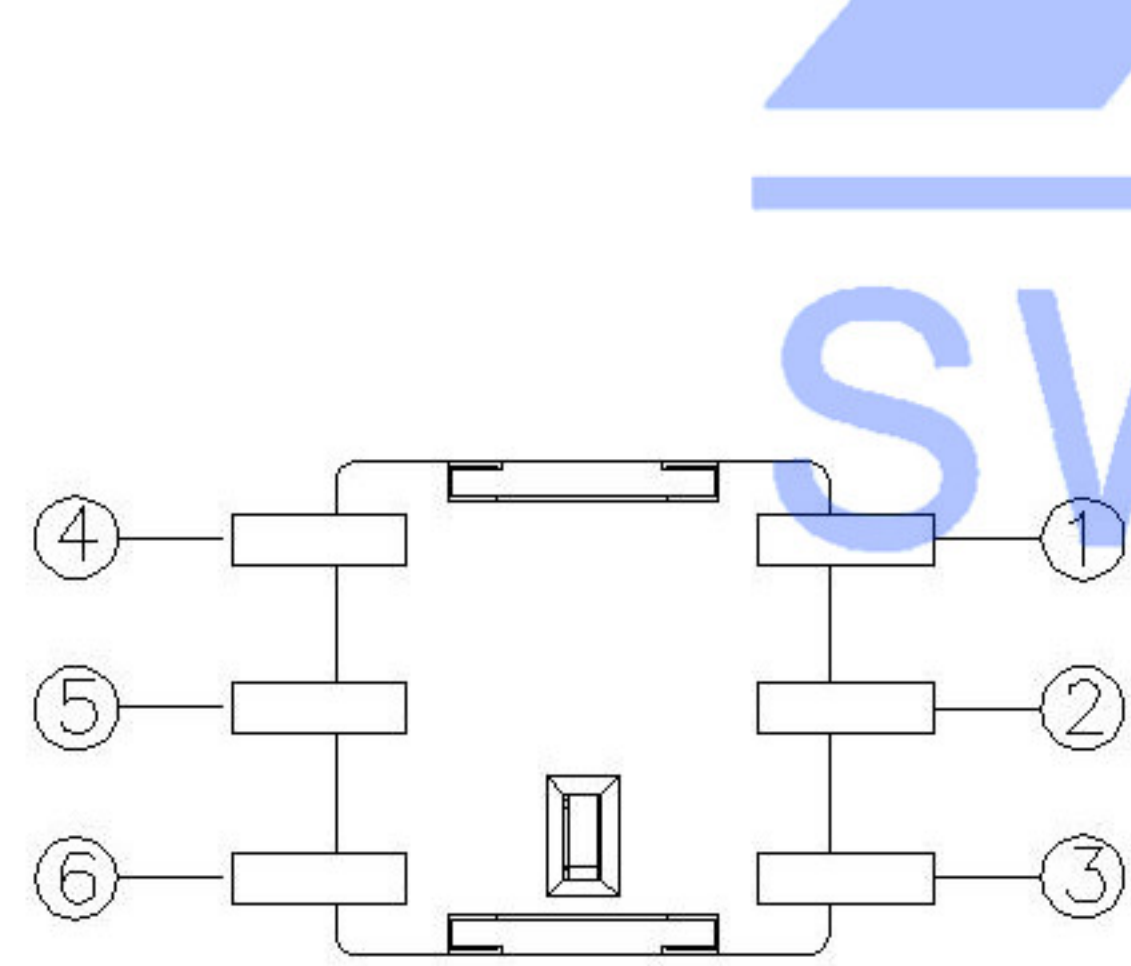
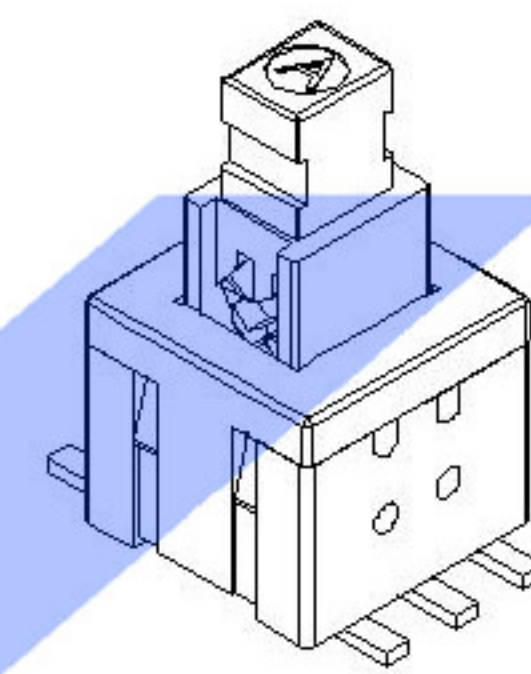
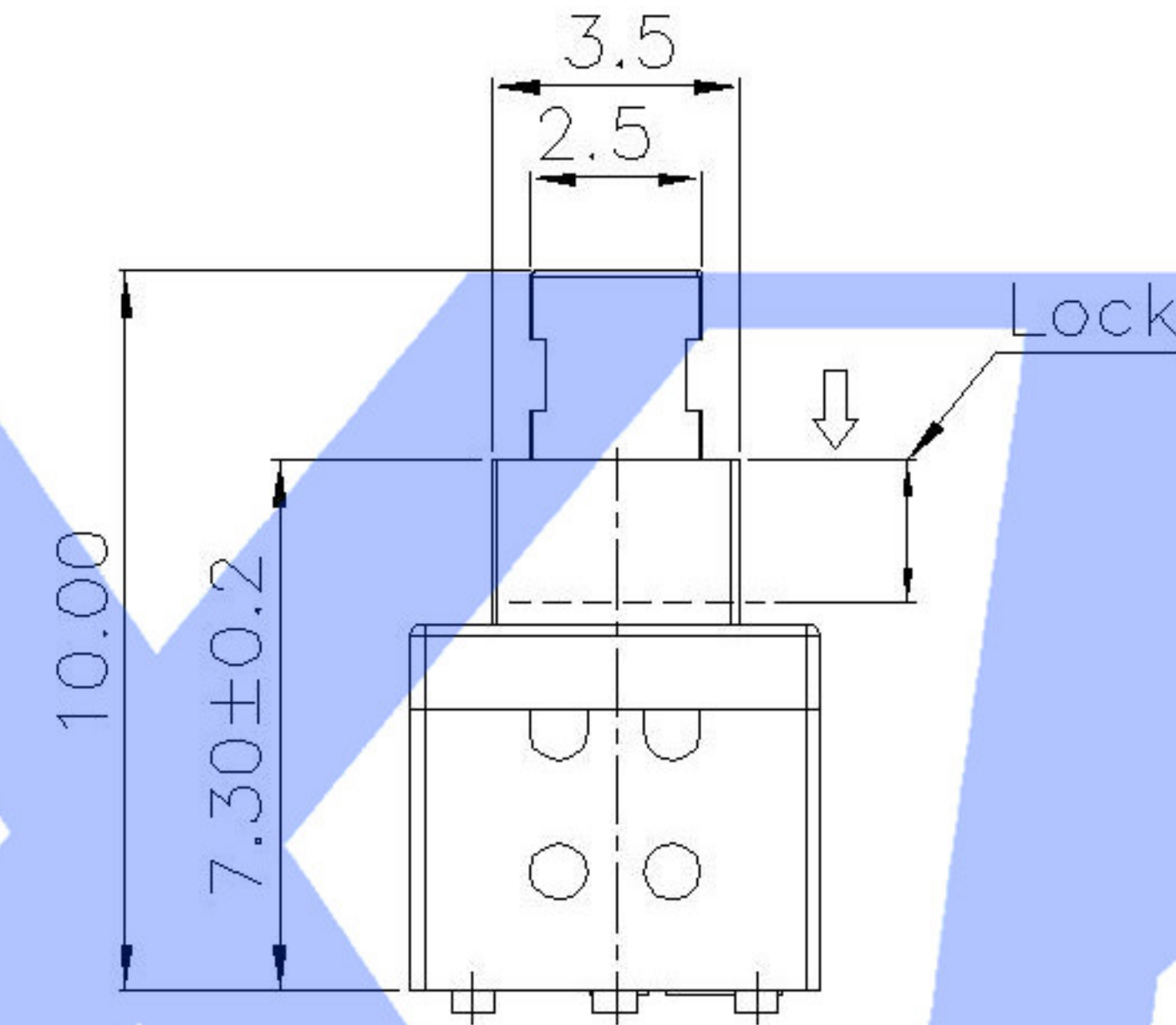
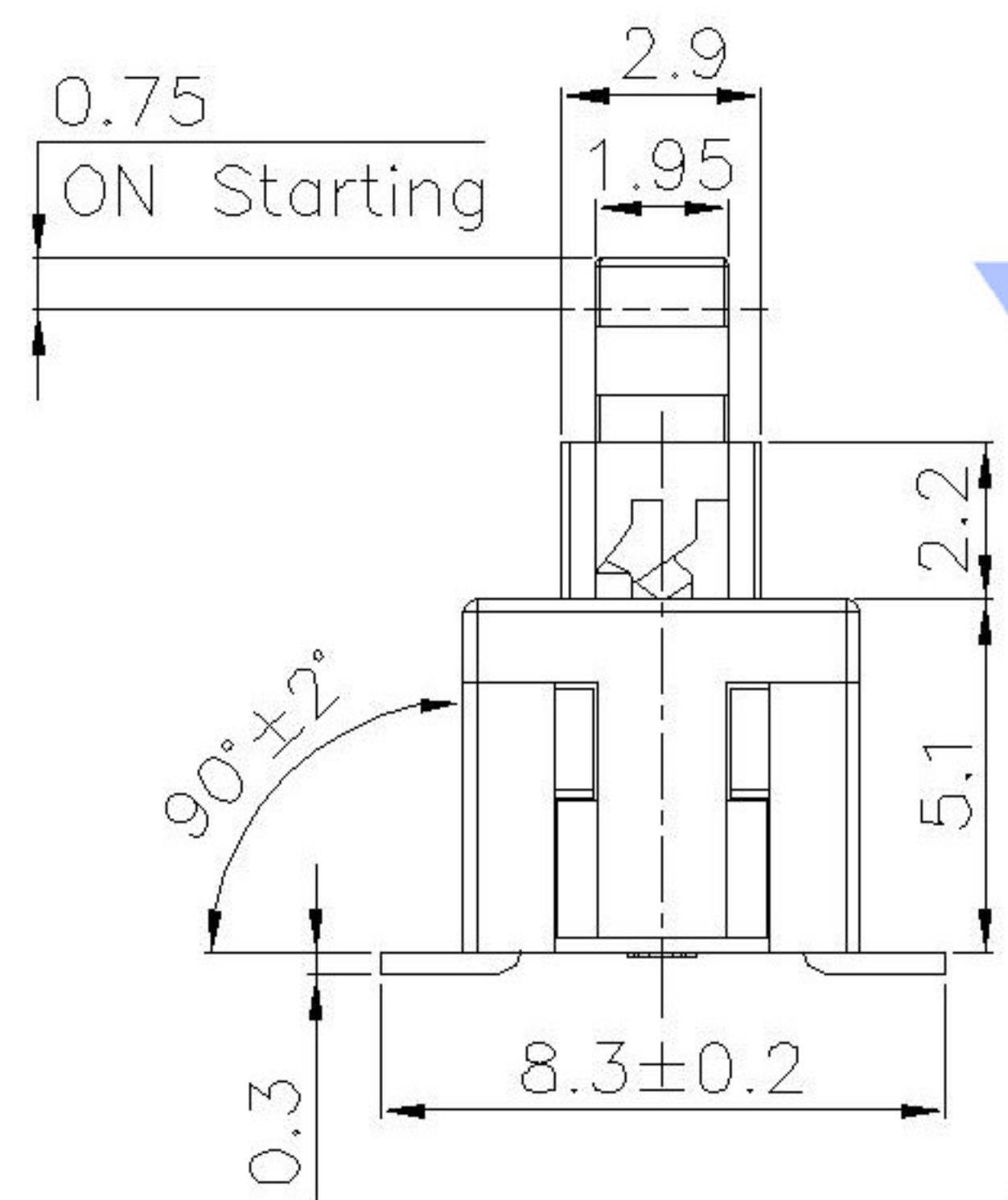
### SPECIFICATIONS

#### 1.ELECTRICAL

● Contact rating	0.1A, 30VDC
● Contact resistance	50mWMax.
● Insulation resistance	100MΩMin. at 250VDC
● Dielectric strength	250VAC Min. for 60 sec.

#### 2.MECHANICAL AND ENVIRONMENTAL

● Temperature rating	Operating: -15°C to +55°C Storage: -25°C to +65°C
● Operation force	160±80gf
● Stroke	Lock Stroke: 1.5±0.2mm Full Stroke: 2.0±0.2mm
● Operating life	full load: 1x10 <sup>4</sup> cycles no load: 1x10 <sup>5</sup> cycles
● Contact form	DPDT



PCB Layout(Pattern Side)

PAPT NO	XKB5858-X-TP
OPERATION	W:NO LOCK Z:LOCK

ITEM	PAPT NAMF	TER,NO	QTY	MATERIAL	FINISHING	REMARK
⑦	Contact	2	Phosphor bronze	Plating silvering		
⑥	Terminal	6	Brass	Plating silvering		
⑤	Spring	1	Sus	Natural		
④	Base	1	Ppa			
③	Crochet Needle	1	Sus	Natural		
②	Cover	1	Ppa			
①	Keystake	1	Ppa			

MARK	DESCRIPTION	DATE	REVISED	APPROVED	UNSPECIFIED TOLERANCES	DSND	DATE	SCALE: N/A	MODEL TYPE: KEY SWITCH		
ΔX					ANGLAR ±5°	DWN	DATE	VIEW:	PART NO.:		
ΔX					X.X ±0.2mm	CHKD	DATE	UNIT: mm	DWG NO.:		
ΔX					X.XX ±0.1mm	APPD	DATE	SIZE: A4	XKB5858-X-TP		
ΔX					X.XXX ±0.05mm						
REVISIONS						XKB INDUSTRIAL PRECISION CO.,LIMITED			WEIGHT	SHEET	REVISION
www.xk-dg.cn www.helloxkb.com www.helloxkb.cn									1.0g	1/1	A0