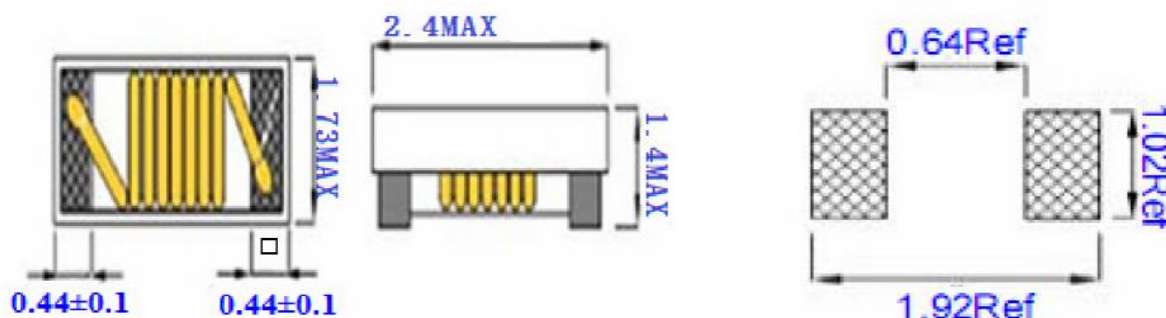


PRODUCT: Wire Wound Chip Inductor

SERIES: PWCWAQ2012F

PACKAGING DIMENSION: [Unit: mm]

PAD LAYOUT(mm):



GENERAL SPECIFICATIONS:

**RoHS
COMPLIANT**

P/N	Inductance	L/Q Test Condition	DC Resistance	Isat	Irms
	$\mu\text{H} \pm 10\%$	Hz	Ω Max.	mA Max.	mA Max.
PWCWAQ2012F-1R0KDT	1.0	7.9M	0.169	1100	1300
PWCWAQ2012F-2R2KTT	2.2	7.9M	0.286	740	1040
PWCWAQ2012F-4R7KTT	4.7	100K	0.559	520	840
PWCWAQ2012F-100KTT	10.0	100K	1.105	360	600
PWCWAQ2012F-150KDT	15.0	2.5M	1.820	300	380
PWCWAQ2012F-220KDT	22.0	2.5M	2.288	240	340

Electrical specifications : at 25°C
Operation Temperature: -40°C~+125°C
Storage Temperature: -40°C~+125°C



PROD TECHNOLOGY CO., LTD.
TEL : 0755-86667379
<http://www.prodtech.cn>



E-LIVEN TECHNOLOGY CO., LTD.
NO.28 ho-cheng RD,bade city,taoyuan,
taiwan