

Operation: SMT&Push-Push 自彈式外焊型TF卡座

RoHS Compliant

LTEM NO.: TF-15X15 (Consumer Electronics)

(14.50L × 14.75W × 1.90H & T-Flash Sockets)

MEMORY-CARD-SOCKETS



Technical parameter

外焊貼裝 SMT

PROJECT	LEVEL	A[better product]	B[average product]
Electrical Properties	Contact Rating	25mA, 24V DC	
	Initial Contact Resistance	30mΩ max.	50mΩ max.
	Insulation Resistance	100MΩ min.500V DC	Skey/PD: 100MΩ min.300V DC
	Withstand Voltage	500V AC for 1 minute	350 V AC for 1 minut
Durable Performance	There No Load	6,500 Cycles	5,500 Cycles
	Rated Load	5,500 Cycles	4,500 Cycles
	Storage temp.	-25℃~+85℃(Operating Temp:)	

側向導入 LATERAL

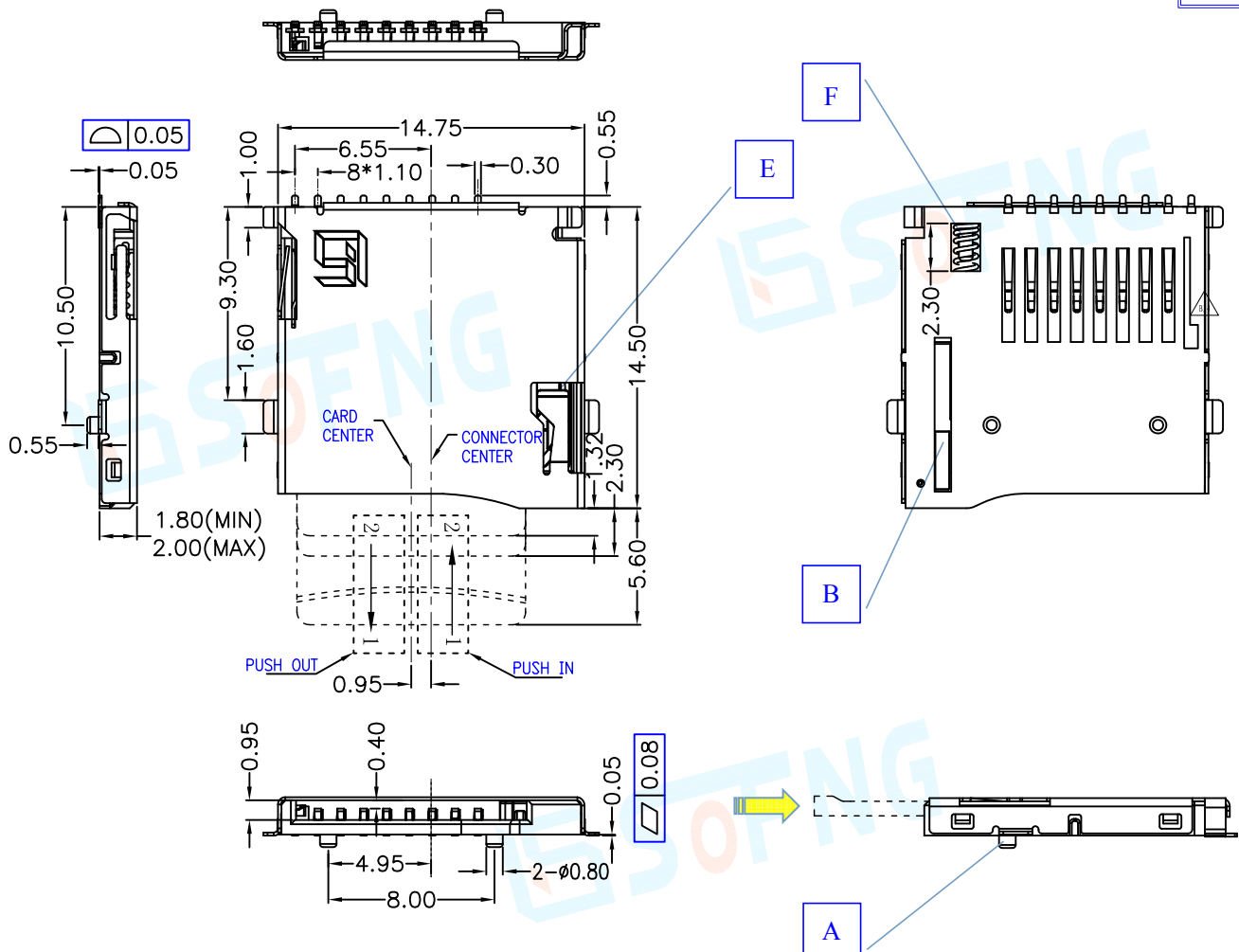
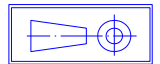
精密部品 NICETY

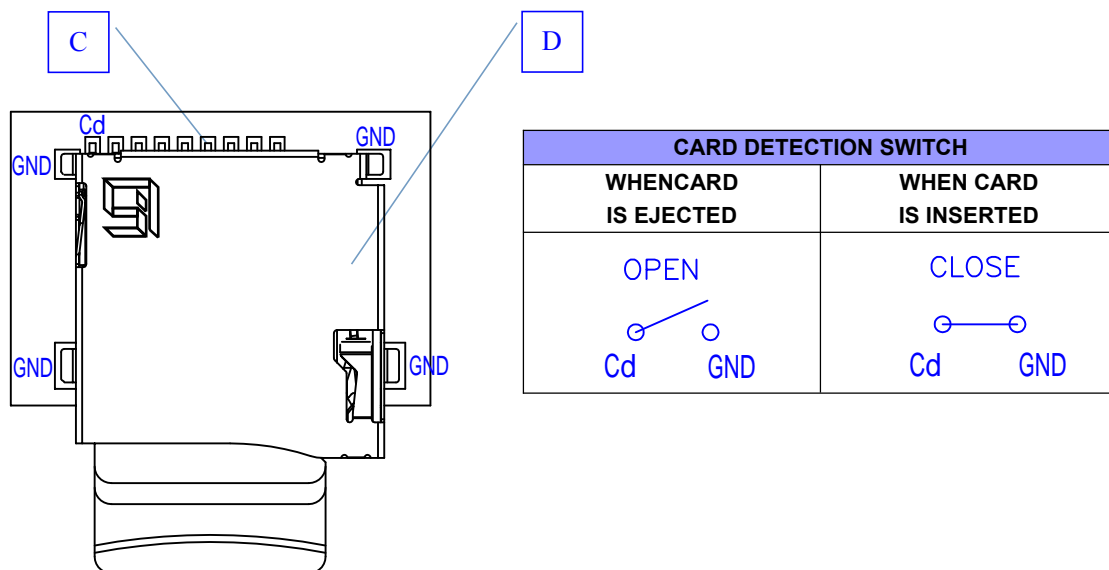
可靠 STABILIZE

適合環保 RoHS

Page1

Unit:mm





SPECIFIED TOLERANCES

UNLESS OTHERWISE



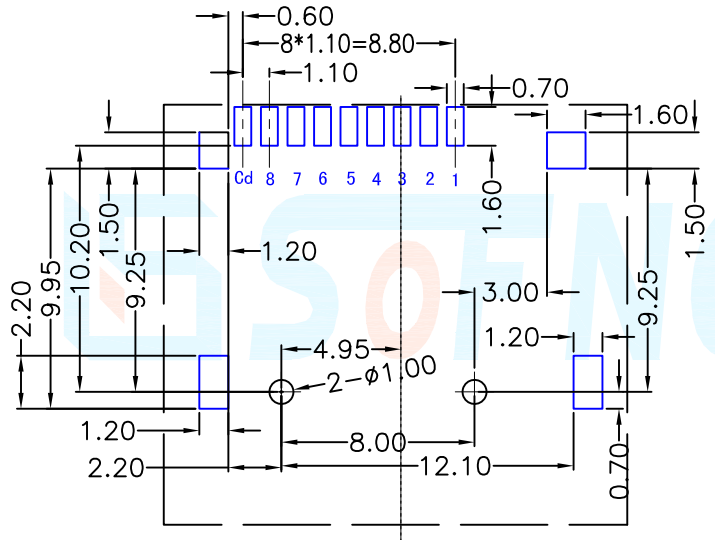
DECIMALS	ANGLES
X.X :±0.35	X.X :±3°
X.XX :±0.25	X.XX :±2°
X.XXX :±0.15	

Material declaration			
No.	NAME	MATERIAL	PLATING
① A	基座	LCP 30%G/F (Black)耐热塑胶	-
② B	滑块	PA6T 30%G/F (Black)耐热尼龙	SET
③ C	接触端子	C5191R-H (t=0.15mm)磷青铜【锡 30u" 基镀金 1u"】	G/F
④ D	外壳	SUS301-3/4H(t=0.15mm)不锈钢【焊点镀金 1u"】	G/F
⑤ E	线簧	象唛钢线 OD=0.21mm	-
⑥ F	弹簧	SUS304(t=0.30mm)不锈钢	-



MATERIAL

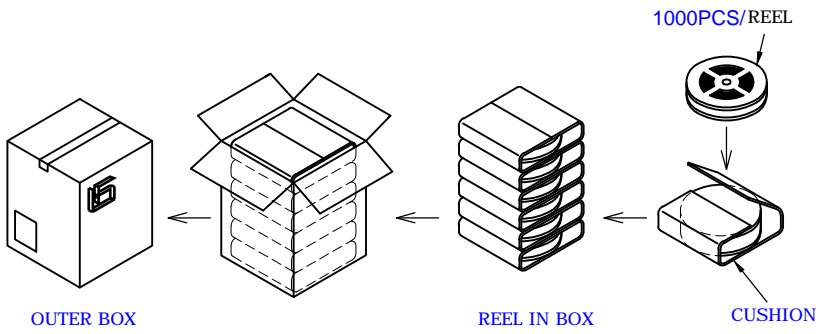
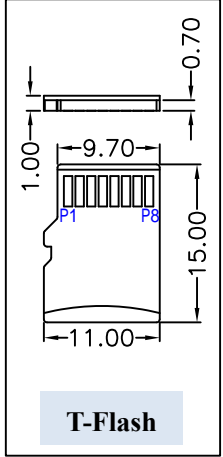
Operating Force	Inward	9.0~12.0N. (1N.=100gram-force)	Solder-ability (Max.)	IR Reflow:255°C, 5sec.
	Exiting	5.0~8.0N. (1N.=100gram-force)		Manual :350°C, 3sec.



Pin definition



T-Flash CARD			
Pin No.	Pin NAME	Type	Description
P①	DAT2	I/O/PP	Date Line[Bit 2]
P②	CD/DAT3	I/O/PP	Card Detect Date Lin(Bit 3)
P③	CMD	PP	Command Response
P④	VDD	S	Supply voltage
P⑤	CLX	I	Clock
P⑥	Vss	S	Supply voltage ground
P⑦	DAT 0	I/O/PP	Date Line [Bit 0]
P⑧	DAT 1	I/O/PP	Date Line [Dit 1]



本品不屬於危害性廢棄物,須丟棄時可以委託回收商予以回收再生處理。Products do not belong to hazardous waste,When waste can recycling processing

運送時本產品不要直接與水、酸鹼性化學物質接觸,或放置於含有以上氣體環境中,並且需要注意會有滑落、側翻的危險發生; 運輸過程中不能有碰撞或者擠壓,須保證溫度與濕度適中 [常溫 25°C,濕度在 50°C 以內],不可導致材料變形或氧化。

注記 NOTICE

1. 碩方公司擁有最終解釋權; The SOFNG company reserves the right of final interpretation;
2. 文件禁止外洩、轉載; Leaked and reproduced prohibited;
3. 未經授權修改無效。Modify is invalid.