

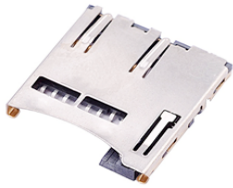
Operation: SMT & 内焊常闭 (Push-Push) 自弹式 T-Flash 连接器



LTEM NO.: TF-001B (Consumer Electronics)

(15.3L × 14.0W × 1.9H & T-Flash Sockets)

MEMORY-CARD-SOCKETS



Technical parameter

表面贴装 SMT

| PROJECT | LEVEL | A[better product] | B[average product] |
|-----------------------|----------------------------|-----------------------------|----------------------|
| Electrical Properties | Contact Rating | 25mA, 24V DC | |
| | Initial Contact Resistance | 30mΩ max. | 50mΩ max. |
| | Insulation Resistance | 100MΩ min. 500V DC | |
| | Withstand Voltage | 500V AC for 1 minute | 350 V AC for 1 minut |
| | Durable Performance | There No Load | 6,500 Cycles |
| Rated Load | | 5,500 Cycles | 4,000 Cycles |
| Storage temp. | | -35℃~+85℃(Operating Temp:) | |

側向導入 LATERAL

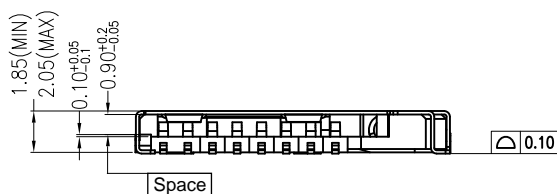
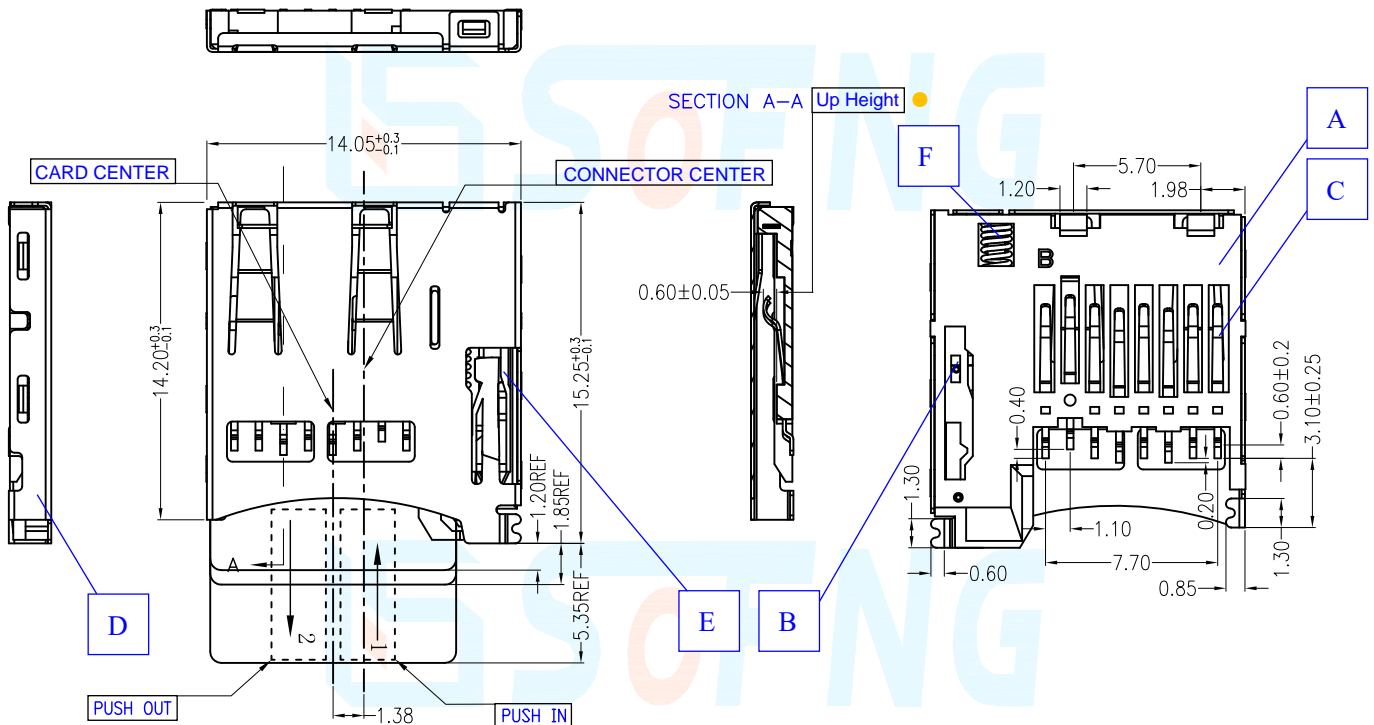
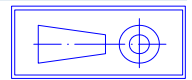
精密部品 NICETY

可靠 STABILIZE

適合環保 RoHS

Page1

Unit:mm



| Material declaration | | | |
|----------------------|------|--|---------|
| No. | NAME | MATERIAL | PLATING |
| ① A | 基座 | LCP 30%G/F (Black)耐热塑胶 | - |
| ② B | 滑块 | PA6T 30%G/F (Black)耐热尼龙 | SET |
| ③ C | 接触端子 | C5191R-H (t=0.15mm)磷青铜【鍍 30u" 基鍍金 1u"】 | G/F |
| ④ D | 外壳 | SUS301-3/4H(t=0.15mm)不锈钢【焊点镀金 1u"】 | G/F |
| ⑤ E | 线簧 | 象唛钢线 OD=0.21mm | - |
| ⑥ F | 弹簧 | SUS304(t=0.30mm)不锈钢 | - |

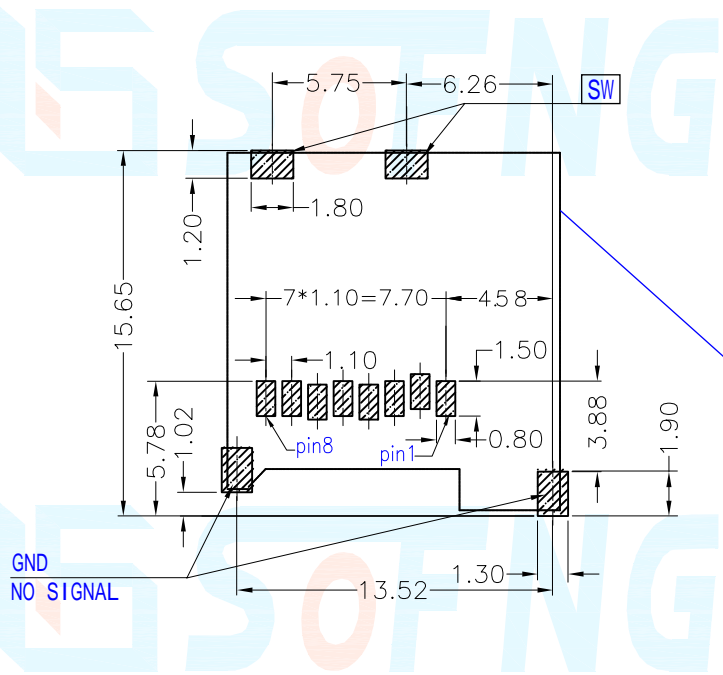
Operating Force

Inward
Exiting

8.0~12.0N. (1N.=100gram-force)
6.0N. (1N.=100gram-force)

Solder-ability (Max.)

IR Reflow: 250°C, 5sec. Manual: 350°C, 3sec.



| CARD DETECTION SWITCH | |
|-----------------------|-----------------------|
| WHENCARD IS EJECTED | WHEN CARD IS INSERTED |
| CLOSE | OPEN |
| | |
| SW GND | SW GND |

Product Out-Line

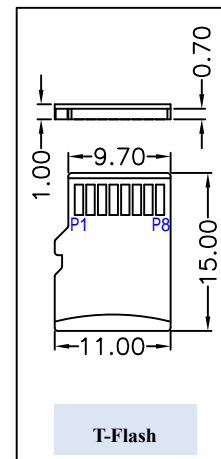
| DECIMALS | ANGLES |
|-------------|--------------|
| X :±0.25 | X° :±3° |
| X.X :±0.20 | X.X° :±1° |
| X.XX :±0.15 | X.XX° :±0.5° |

Pin definition



T-Flash CARD

| Pin No. | Pin NAME | Type | Description |
|---------|----------|--------|-----------------------------|
| PIN① | DAT2 | I/O/PP | Date Line[Bit 2] |
| PIN② | CD/DAT3 | I/O/PP | Card Detect Date Lin(Bit 3) |
| PIN③ | CMD | PP | Command Response |
| PIN④ | VDD | S | Supply voltage |
| PIN⑤ | CLX | I | Clock |
| PIN⑥ | Vss | S | Supply voltage ground |
| PIN⑦ | DAT 0 | I/O/PP | Date Line [Bit 0] |
| PIN⑧ | DAT 1 | I/O/PP | Date Line [Dit 1] |



T-Flash



本品不屬於危害性廢棄物,須丟棄時可以委託回收商予以回收再生處理。Products do not belong to hazardous waste,When waste can recycling processing

運送時本產品不要直接與水、酸鹼性化學物質接觸,或放置於含有以上氣體環境中,並且需要注意會有滑落、側翻的危險發生;運輸過程中不能有碰撞或者擠壓,須保證溫度與濕度適中[常溫 25°C,濕度在 50°C 以內],不可導致材料變形或氧化。

注記 NOTICE

1. 碩方公司擁有最終解釋權; The SOFNG company reserves the right of final interpretation;
2. 文件禁止外洩、轉載; Leaked and reproduced prohibited;
3. 未經授權修改無效。Modify is invalid.