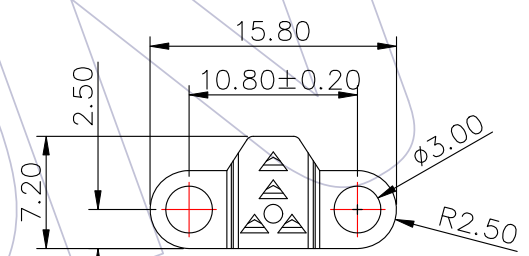
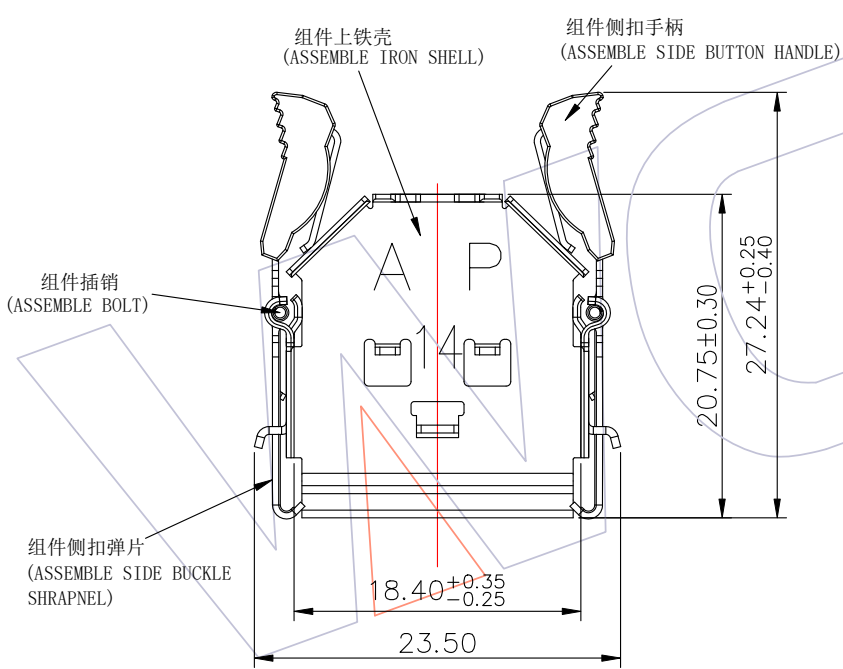
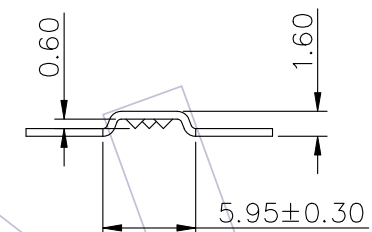
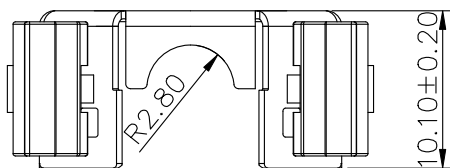
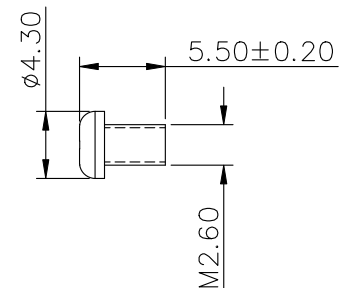


HSF




组件线夹  
(ASSEMBLE CLAMP)

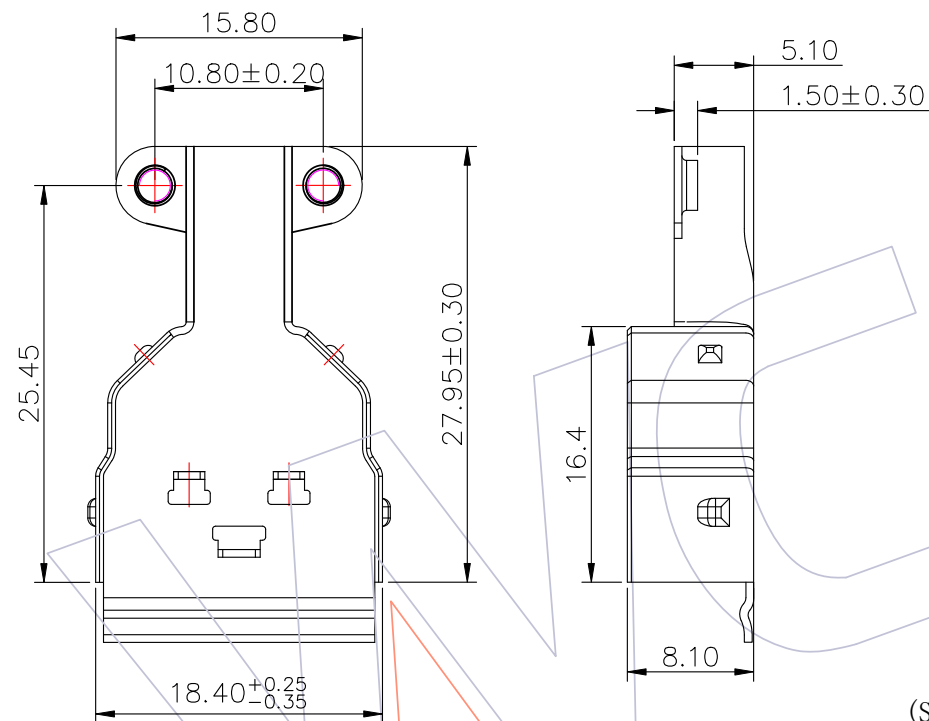


组件螺丝  
(ASSEMBLE SCREW)

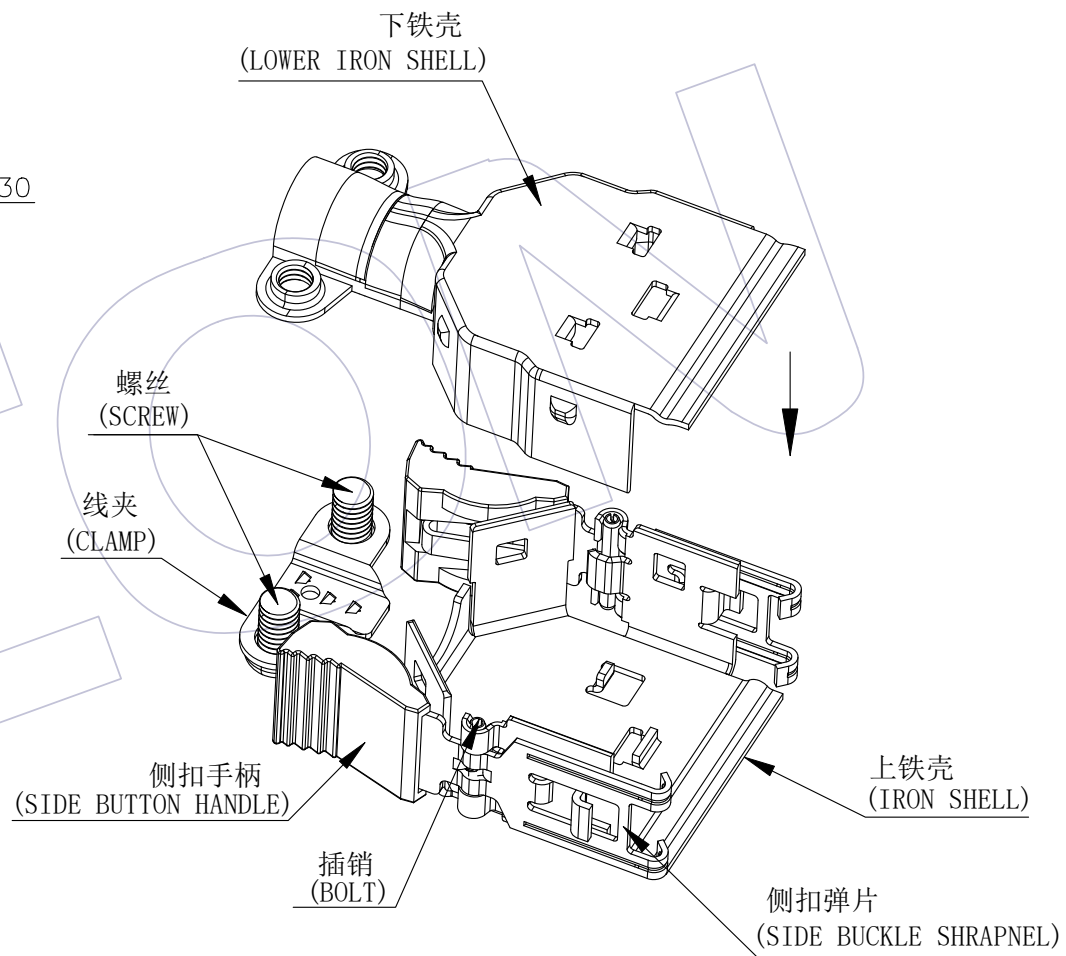
上铁壳组合件  
(UPPER IRON SHEEL ASSEMBLIES)

				OPERATION	DRAW	DATE	SCALE	FIT	PART NO.	 <a href="http://www.wcon.com">Http: www.wcon.com</a> WCON-Dongguan Tel: +86 769 85358920 Fax: +86 769 85358915 E-mail: sales@wcon.com WCON-Kunshan Tel: +86 512 57468408 Fax: +86 512 57468468 E-mail: salesks@wcon.com
				x.x ±0.40	Tang.	2019/04/19	UNIT	mm	6326-014SSNIMN001	
				x.xx ±0.25	CHECK	DATE	SIZE	A4	TITLE:	
				x.xxx ±0.15	APPROVE	DATE	SHEET	1/2	SCSI 组件七件套 (14PIN)	
AO	2019/04/19	NEW	/	Angle ± 3'			PROJ.		Customer NO.	
REV	DATE	MODIFICATION DESCRIPTION	CHANGE	DIM TOL						

HSF



组件下铁壳  
(ASSEMBLE LOWER IRON SHELL)



3D组装示意图  
3D ASSEMBLY SKETCH

				OPERATION	DRAW	DATE	SCALE	FIT	PART NO.
				X.X	±0.40	Tang.	2019/04/19	UNIT	6326-014SSNIMN001
				X.XX	±0.25	CHECK	DATE	SIZE	TITLE:
				X.XXX	±0.15			A4	SCSI 组件七件套
AO	2019/04/19	NEW	/	Angle	± 3'	APPROVE	DATE	SHEET	Customer NO.
REV	DATE	MODIFICATION DESCRIPTION	CHANGE	DIM	TOL			PROJ.	

**WCON**  
Http: www.wcon.com

WCON-Dongguan  
Tel: +86 769 85358920  
Fax: +86 769 85358915  
E-mail: sales@wcon.com

WCON-Kunshan  
Tel: +86 512 57468408  
Fax: +86 512 57468468  
E-mail: salesks@wcon.com