

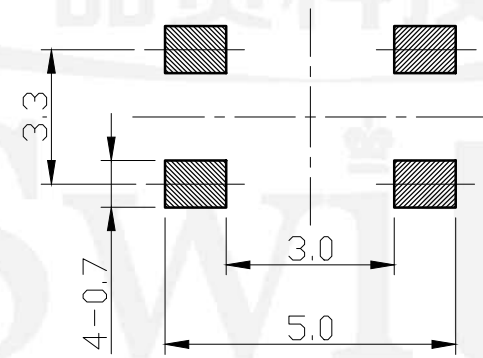
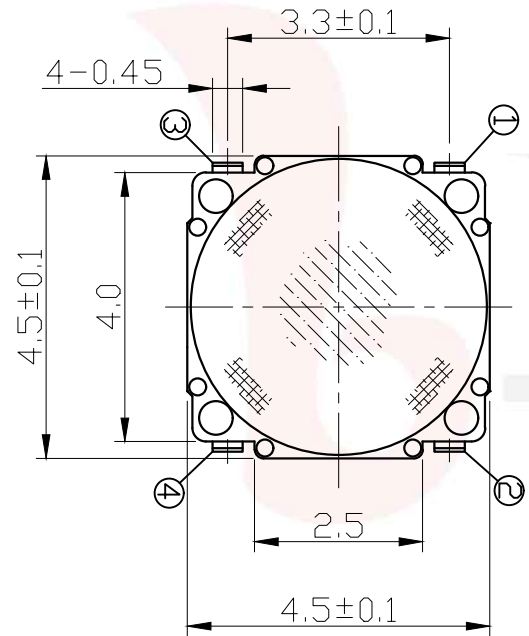
**GT-TC079B-H0040-L1**

**G-SWITCH**

**Operating Force**  
E=120gf

**Switch Height (mm)**  
H0040=0.4mm

**Switch lifetime (Force)**  
L1=100,000 Cycles  
L3=300,000 Cycles

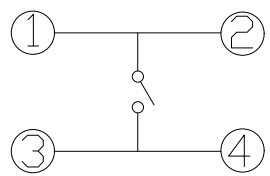


**P.C.B LAND DIMENSION**

**G-Switch Specification:**

Operating temperature range: -30°C to +85°C  
 Rating: 50mA.12V DC  
 Insulation resistance: 100MΩ min.100V DC  
 Dielectric strength: 250V AC for 1 min  
 Contact resistance: 100m Ω max.  
 Travel: 0.15±0.05mm

**Circuit Diagram**



**G-Switch Electronic (HongKong) CO.,Ltd.**

Unless otherwise specified, Tolerance:  
 X. ±0.30  
 X.x ±0.20  
 X.xx ±0.15  
 X.xxx ±0.10  
 Angles ±3°

|   |                 |                    |            |
|---|-----------------|--------------------|------------|
| DESIGN Yvette Chen  | DATE 2019.05.29 | Molde code:        |            |
| CHECKED   | DATE            | GT-TC079B-H0040-L1 |            |
| APPROVED  | DATE            | REV.: X1           | SCALE: 4:1 |
| <a href="http://www.dg-switch.com">http://www.dg-switch.com</a> |                 | UNIT: mm           |            |
| TEL:0769-82388879   |                 | SIZE: A4           | SHEET: 1/1 |