

GT-TC047B-H016-L1A

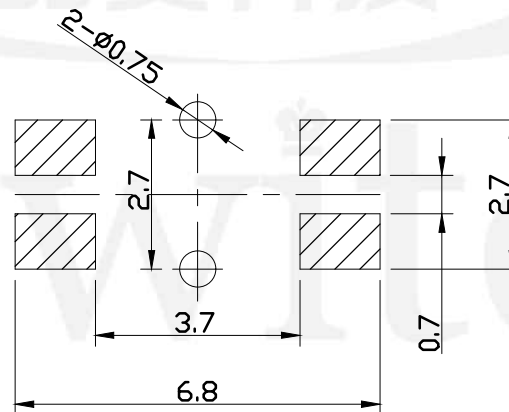
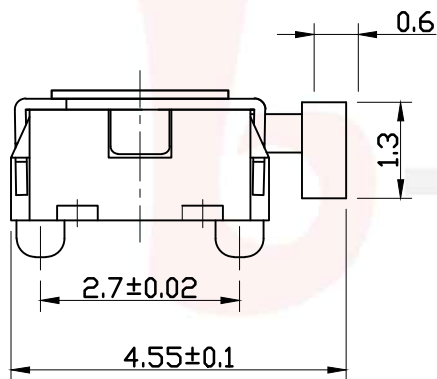
Attach characteristics
A=Base With Pilot
N=Non Pilot

G-SWITCH Operating Force

A=180gf
B=250gf
C=220gf

Switch Height (mm)
H=016(1.6mm)

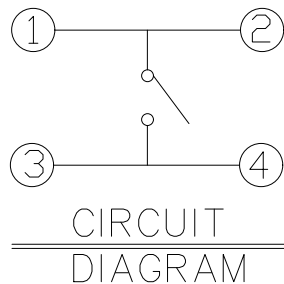
Switch lifetime (Force)
L1=100,000 Cycles



P.C.B LAND DIMENSION

G-Switch Specification:

Operating temperature range: -30°C to +85°C
Rating: 50mA.12V DC
Insulation resistance: 100MΩ min.100V DC
Dielectric strength: 250V AC for 1 min
Contact resistance: 100mΩ max.
Travel: 0.2±0.05mm



Unless otherwise specified, Tolerance:
X. ±0.30
X.x ±0.20
X.xx ±0.15
X.xxx ±0.10
Angles ±3°

G-Switch Electronic (HongKong) CO.,Ltd.

DESIGN	陈锋枫	DATE	2016.05.29	Molde code:	
CHECKED		DATE		GT-TC047B-H016-L1A	
APPROVED		DATE			
http://www.dg-switch.com				REV.: X1	SCALE: 4:1
TEL: 0769-82388879				SIZE: A4	SHEET: 1/1

